

SOUTHCO PERFORMANCE GUIDELINES:

THE PERFORMANCE GUIDELINES SHOWN ON THIS PAGE ARE SUPPLIED AS A GENERAL GUIDE ONLY, AS CONDITIONS VARY WITH THE APPLICATION AND METHOD OF INSTALLATION. STRENGTH DATA GIVEN IS FOR FAILURE OF THE PRODUCT OR FOR SUFFICIENT DEFORMATION TO MAKE PRODUCT INOPERABLE. NO SAFETY FACTOR HAS BEEN APPLIED - IT IS RECOMMENDED THAT THE USER REQUEST A PRODUCT SAMPLE FOR TESTING TO DETERMINE THE SUITABILITY OF THE PRODUCT FOR THE PURPOSE INTENDED AND USERS PARTICULAR APPLICATION.

COMPRESSIVE STRENGTH

MAXIMUM STATIC LOAD: 445N (100lbf)  
 AVERAGE ULTIMATE LOAD: 631N (142lbf)

INSTALLATION TORQUE

MOUNTING NUT (M22): 20Nm (177 lbf-in)  
 MOUNTING SCREW (M6): 10Nm (88.5 lbf-in)

MAXIMUM DYNAMIC WORKING LOAD (CYCLE LIFE)

10,000 CYCLES WITH 450N PAWL LOAD

SHOCK AND VIBRATION

SAMPLES WERE TESTED PER DIN EN 61373, CATEGORY 1, CLASS B. ALL 22 SPECIMENS PASSED THE TEST ACCORDING TO THE REQUIREMENT OF THIS SPECIFICATION.

HEAT AND FIRE

FIRE RESISTANCE TEST ACCORDING TO DIN EN 1363-1 AND DIN EN 45545-3, WITH HEAT APPLIED TO THE HEAD (TOP) OF THE SPECIMEN AND EVALUATED ACCORDING TO DIN 13501-2 POSSIBLE CLASSIFICATION IS AS FOLLOWS:  
 ALUMINUM SPECIMENS PER J-E3-12-12 (22EA): E30

DEFINITIONS

MAXIMUM STATIC LOAD - THE MAXIMUM RECOMMENDED LOAD AFTER ONE TIME APPLICATION AND REMOVAL OF WHICH THE PRODUCT CONTINUES TO FUNCTION PROPERLY.

AVERAGE ULTIMATE LOAD - THE AVERAGE LOAD THAT CAUSES FAILURE OR EXCESSIVE DEFORMATION WHICH RENDERS THE PRODUCT INOPERABLE.

MAXIMUM DYNAMIC WORKING LOAD - THE MAXIMUM RECOMMENDED LOAD AT WHICH THE PRODUCT CONTINUES TO FUNCTION PROPERLY THROUGH ITS INTENDED CYCLE LIFE.

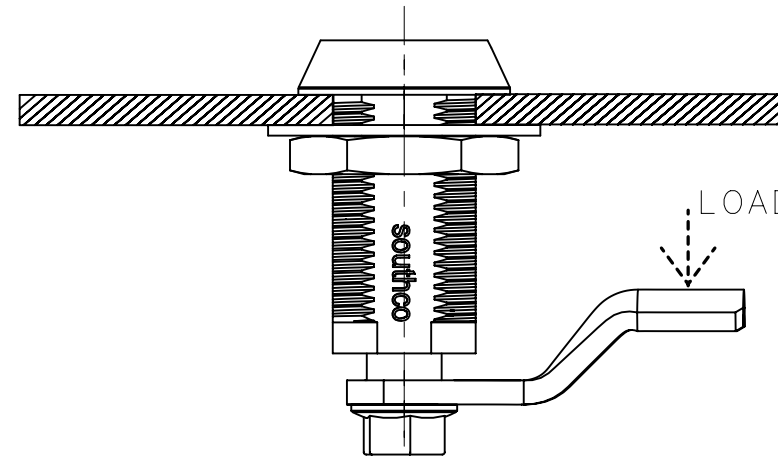
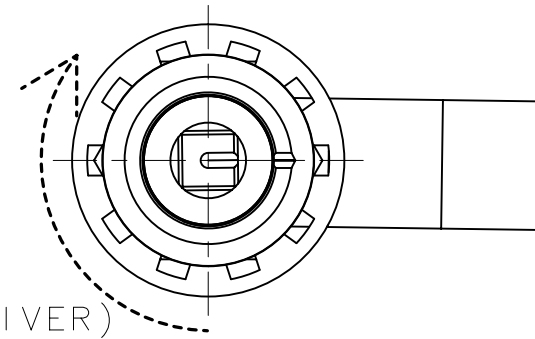
REF: E3-13122, E3-13123-A, E3-13123-B

REVISION HISTORY			
REV	DATE	BY	DESCRIPTION
C	04DEC2013	BVH/BGL	PRN: P2013-2433


ASSEMBLY PART NUMBERS:

- E3-10XX-XX59
- E3-10XX-XX06
- E3-12XX-XX59
- E3-12XX-XX06

TORQUE  
 (APPLIED TO DRIVER)



8MM SQUARE SHOWN  
 (E3-1010-0359)

	THIRD ANGLE PROJECTION				
	MILLIMETERS [IN]				
	TOLERANCES UNLESS OTHERWISE NOTED	DESCRIPTION E3 VISE ACTION™ COMPRESSION LATCH ASSEMBLY SINGLE HOLE MOUNT, FIXED GRIP, ALUMINUM			
	PROPRIETARY ITEM EXCEPT FOR USES EXPRESSLY GRANTED IN WRITING, INFORMATION DISCLOSED HEREON IS CONFIDENTIAL AND ALL RIGHTS, PATENT AND OTHERWISE, ARE RESERVED BY SOUTHCO, INC.	SIZE A4	SYSTEM NX	DWG NO. TD-E3-17-J	
	PER ASME Y14.5M-1994	DRAWN BY BVH	DATE 01OCT2013	SCALE NTS	SHEET 1 OF 1