

SOUTHCO PERFORMANCE GUIDELINES:

THE PERFORMANCE GUIDELINES SHOWN ON THIS PAGE ARE SUPPLIED AS A GENERAL GUIDE ONLY, AS CONDITIONS VARY WITH THE APPLICATION AND METHOD OF INSTALLATION. STRENGTH DATA GIVEN IS FOR FAILURE OF THE PRODUCT OR FOR SUFFICIENT DEFORMATION TO MAKE PRODUCT INOPERABLE. NO SAFETY FACTOR HAS BEEN APPLIED - IT IS RECOMMENDED THAT THE USER REQUEST A PRODUCT SAMPLE FOR TESTING TO DETERMINE THE SUITABILITY OF THE PRODUCT FOR THE PURPOSE INTENDED AND USERS PARTICULAR APPLICATION.

COMPRESSIVE STRENGTH

MAXIMUM STATIC LOAD: 600 N (135 lbf)
 AVERAGE ULTIMATE LOAD: 2667 N (600 lbf)

INSTALLATION TORQUE

MOUNTING NUT (M22): 20 Nm (177 lbf-in)

CYCLE LIFE

~10,000 CYCLES WITH 450 N PAWL LOAD

SHOCK AND VIBRATION

RESISTANT PER DIN EN 61373
 CATEGORY 1, CLASS B

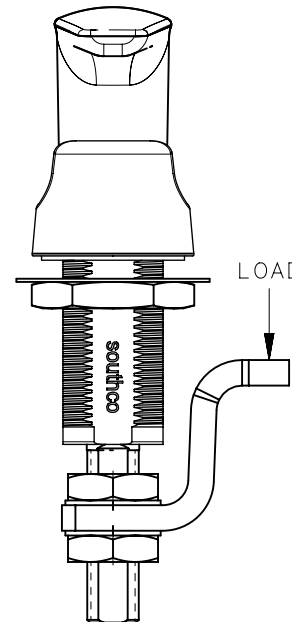
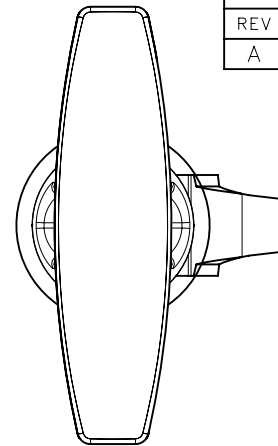
DEFINITIONS

MAXIMUM WORKING LOAD - THE MAXIMUM RECOMMENDED LOAD AT WHICH THE PRODUCT CONTINUES TO FUNCTION PROPERLY.

AVERAGE ULTIMATE LOAD - THE LOAD THAT CAUSES FAILURE OR EXCESSIVE DEFORMATION WHICH RENDERS THE PRODUCT INOPERABLE.

REF: trE3-24930, trE3-24931

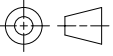

REVISION HISTORY			
REV	DATE	BY	DESCRIPTION
A	12JUN2018	IR/MJS	PRN: P2018-1438



ASSEMBLY PART LIST:

- E3-11-X12
- E3-160-X12
- E3-221-X12
- E3-2260-X12

**ADJUSTABLE GRIP
 VERSION**

		THIRD ANGLE PROJECTION				 CONNECT • CREATE • INNOVATE				
		MILLIMETERS [IN]								
		TOLERANCES UNLESS OTHERWISE NOTED			DESCRIPTION					
SURFACE AREA		UP TO 0.5	±0.05	E3 VISE ACTION™ COMPRESSION LATCH ASSEMBLY SINGLE HOLE MOUNT, ADJUSTABLE GRIP, STAINLESS			SIZE			
VOLUME		OVER 0.5 UP TO 6	±0.1				SYSTEM			
		OVER 6 UP TO 30	±0.2				DWG NO.			
		OVER 30	±0.3				TD-E3-20-J			
PROPRIETARY ITEM		ANGLES	±1°	DRAWN BY		DATE		SCALE		
EXCEPT FOR USES EXPRESSLY GRANTED IN WRITING, INFORMATION DISCLOSED HEREON IS CONFIDENTIAL AND ALL RIGHTS, PATENT AND OTHERWISE, ARE RESERVED BY SOUTHCO, INC.		PER ASME Y14.5M-1994			IR/		11OCT2016		DNS	
							SHEET		1 OF 1	