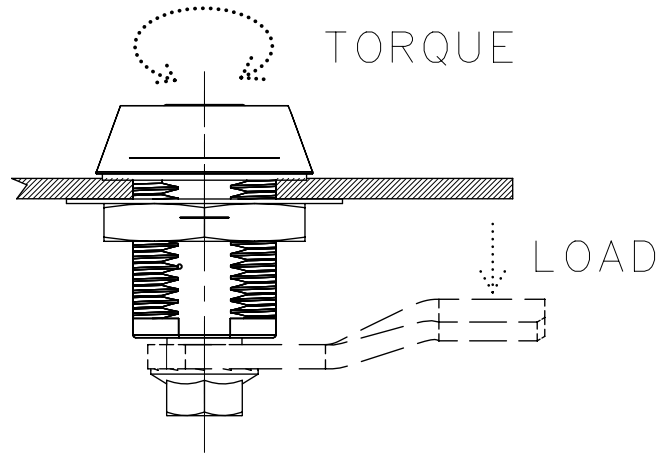


REVISION HISTORY			
REV	DATE	BY	DESCRIPTION
C	24OCT2016	NX/IW	PRN: P2016-2333

SOUTHCO PERFORMANCE GUIDELINES

THE PERFORMANCE GUIDELINES SHOWN ON THIS PAGE ARE SUPPLIED AS A GENERAL GUIDE ONLY, AS CONDITIONS VARY WITH EACH APPLICATION AND METHOD OF INSTALLATION, STRENGTH DATA GIVEN IS FOR FAILURE OF THE PRODUCT OR FOR SUFFICIENT DEFORMATION TO MAKE THE PRODUCT INOPERABLE. NO SAFETY FACTOR HAS BEEN APPLIED. IT IS RECOMMENDED THAT THE USER REQUEST A PRODUCT SAMPLE FOR TESTING TO DETERMINE THE SUITABILITY OF THE PRODUCT FOR THE PURPOSE INTENDED AND USER'S PARTICULAR APPLICATION.



PART NUMBER: E3-CRH-UU0

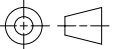
AVERAGE ULTIMATE LOAD: 680N (153 lbf)

RECOMMENDED TIGHTENING TORQUE - MOUNTING NUT: 20 Nm (177 lbf in)
 - MOUNTING SCREW: 10Nm (88.5 lbf in)

CYCLE TEST - 10,000 CYCLES

AVERAGE ULTIMATE LOAD
 - THE LOAD THAT CAUSE FAILURE OR EXCESSIVE DEFORMATION WHICH RENDERS THE PRODUCT INOPERABLE.

REF: trE3-23234
 trE3-24938
 trE3-26452

	THIRD ANGLE PROJECTION 	southco [®] CONNECT • CREATE • INNOVATE	
	MILLIMETERS [IN]		
	TOLERANCES UNLESS OTHERWISE NOTED	DESCRIPTION E3 COMPRESSION LATCH ASSEMBLY	
	ALL DIMENSIONS WITHOUT TOLERANCES ARE FOR REFERENCE ONLY.	SINGLE HOLE MOUNT FIXED GRIP, STAINLESS STEEL	
	PROPRIETARY ITEM <small>EXCEPT FOR USES EXPRESSLY GRANTED IN WRITING, INFORMATION DISCLOSED HEREON IS CONFIDENTIAL AND ALL RIGHTS, PATENT AND OTHERWISE, ARE RESERVED BY SOUTHCO, INC.</small>	SIZE A4	SYSTEM NX
	PER ASME Y14.5M-1994	DWG NO. TD-E3-C-12-2	
		DRAWN BY IW/BX	DATE 16DEC2015
		SCALE 1:1	SHEET 1 OF 1