

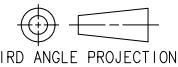


PROPRIETARY ITEM - EXCEPT FOR USES EXPRESSLY GRANTED IN WRITING INFORMATION DISCLOSED HEREON IS CONFIDENTIAL AND ALL RIGHTS PATENT AND OTHERWISE ARE RESERVED BY SOUTHCO, INC.

## E5 QUARTER TURN LATCH

|         |       |      |       |                |
|---------|-------|------|-------|----------------|
| DATE    | DRAWN | CHKD | SCALE | DRAWING NUMBER |
| 12NOV93 | ALC   | ACZ  | NTS   | TD-E5-1-J      |

| REV | DATE      | DRAWN/CHKD | DESCRIPTION      | REV | DATE      | DRAWN/CHKD | DESCRIPTION    |  |  |  |
|-----|-----------|------------|------------------|-----|-----------|------------|----------------|--|--|--|
| B   | 1MAY00    | GDM        | SEE RECORD PRINT | D   | 29JAN2009 | JSS        | PRN:P2009-0106 |  |  |  |
| C   | 09APR2002 | GDM        | UPDATED FORMAT   | E   | 12FEB2014 | CMS/BJM    | PRN:P2014-0294 |  |  |  |

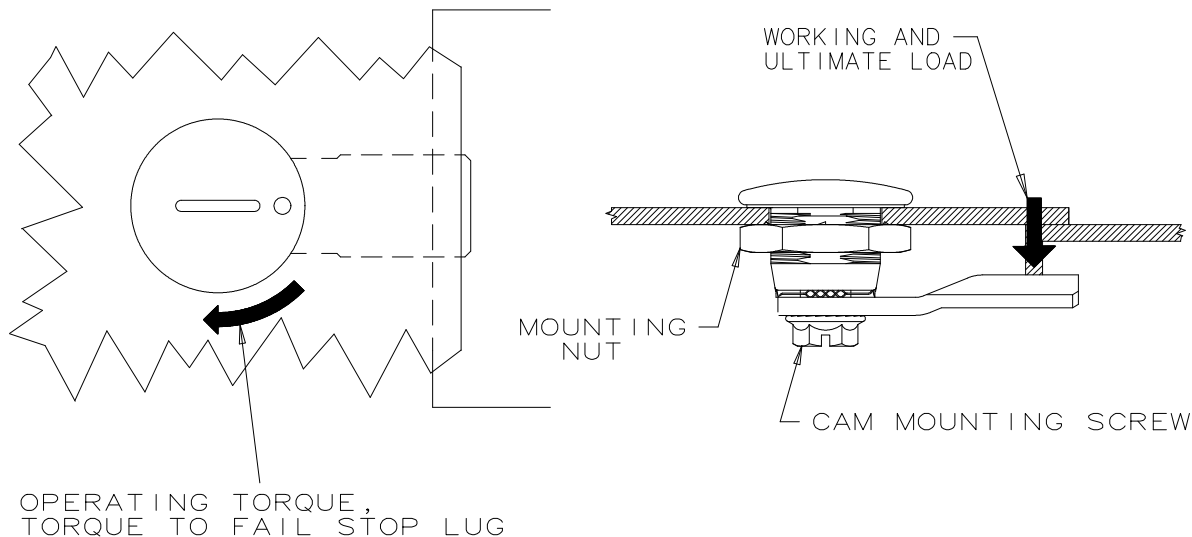


A  
PAPER  
SIZE

SOUTHCO PERFORMANCE GUIDELINES

THE PERFORMANCE GUIDELINES SHOWN ON THIS PAGE ARE SUPPLIED AS A GENERAL GUIDE ONLY, AS CONDITIONS VARY WITH EACH APPLICATION AND METHOD OF INSTALLATION. STRENGTH DATA GIVEN IS FOR FAILURE OF THE PRODUCT OR FOR SUFFICIENT DEFORMATION TO MAKE PRODUCT INOPERABLE. NO SAFETY FACTOR HAS BEEN APPLIED IT IS RECOMMENDED THAT THE USER REQUEST A PRODUCT SAMPLE FOR TESTING TO DETERMINE THE SUITABILITY OF THE PRODUCT FOR THE PURPOSE INTENDED AND USER'S PARTICULAR APPLICATION.

E5-X-XXX-XXO



| TEST DESCRIPTION                                     | RATING              |
|--|---------------------|
| MAXIMUM RECOMMENDED WORKING LOAD ①                   | 330 N               |
| AVERAGE ULTIMATE LOAD ②                              | 450 N               |
| MAXIMUM RECOMMENDED MOUNTING NUT TIGHTENING TORQUE ③ | 10 N•m              |
| AVERAGE TORQUE TO FAIL STOP LUG ④                    | 12.3 N•m            |
| MAXIMUM RECOMMENDED CAM SCREW TIGHTENING TORQUE ⑤    | 5 N•m               |
| AVERAGE OPERATING TORQUE                             | 54 N•cm             |
| CYCLE LIFE   | GREATER THAN 25,000 |

- ① WORKING LOAD IS THE MAXIMUM FORCE THAT THE PRODUCT WILL WITHSTAND WITHOUT AFFECTING THE OPERATION OR APPEARANCE OF THE PRODUCT.
- ② AVERAGE ULTIMATE LOAD CAUSES FAILURE OF THE PRODUCT OR SUFFICIENT DEFORMATION TO MAKE THE PRODUCT INOPERABLE.
- ③ FAILURE OCCURED WHEN THE FLANGES PULLED AWAY FROM THE HOUSING.
- ④ FAILURE OCCURED WHEN THE STOP LUG STRIPPED OFF.
- ⑤ FAILURE OCCURED WHEN THE DRIVE STUD INTERNAL THREADS WERE STRIPPED.