

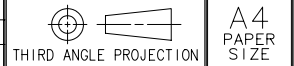
southco®

PROPRIETARY ITEM - EXCEPT FOR USES EXPRESSLY GRANTED IN WRITING INFORMATION DISCLOSED HEREON IS CONFIDENTIAL AND ALL RIGHTS PATENT AND OTHERWISE ARE RESERVED BY SOUTHCO, INC.

No. E5 LATCH
PUSH TO CLOSE, 2 POINT STYLE

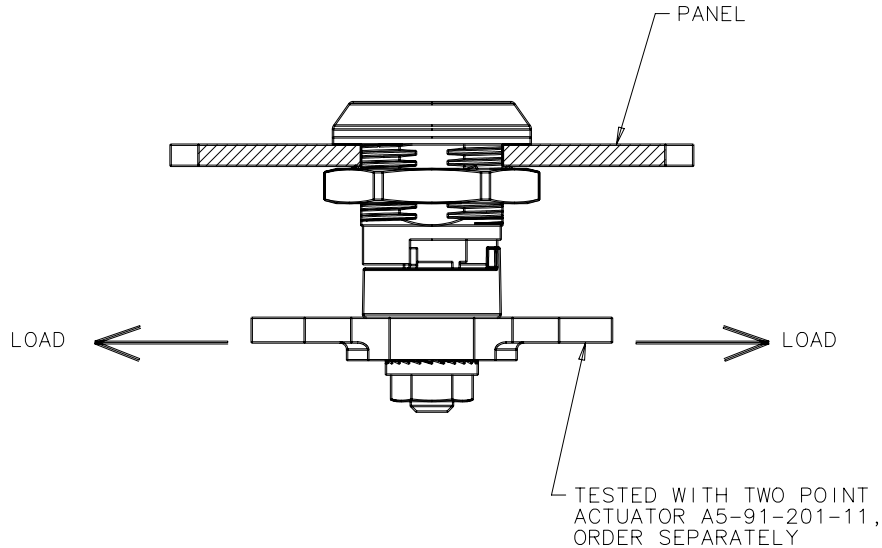
DATE	DRAWN	CHKD	SCALE	DRAWING NUMBER
03MAY2012	TVA		1:1	TD-E5-53-J

REV	DATE	DRAWN/CHKD	DESCRIPTION								
A	08MAY2012	TVA/MJS	PRN: P2012-0617								



SOUTHCO PERFORMANCE GUIDELINES

THE PERFORMANCE GUIDELINES SHOWN ON THIS PAGE ARE SUPPLIED AS A GENERAL GUIDE ONLY, AS CONDITIONS VARY WITH EACH APPLICATION AND METHOD OF INSTALLATION. STRENGTH DATA GIVEN IS FOR FAILURE OF THE PRODUCT OR FOR SUFFICIENT DEFORMATION TO MAKE PRODUCT INOPERABLE. NO SAFETY FACTOR HAS BEEN APPLIED IT IS RECOMMENDED THAT THE USER REQUEST A PRODUCT SAMPLE FOR TESTING TO DETERMINE THE SUITABILITY OF THE PRODUCT FOR THE PURPOSE INTENDED AND USER'S PARTICULAR APPLICATION.



TEST DESCRIPTION	E5-T-WWX-TRO-RK TL
CYCLE LIFE	1000 AT 44 N SIMULATED LOAD

CYCLE CONSISTS OF ROTATING LATCH 90 DEGREES WITH A 44 N SIMULATED LOAD APPLIED TO ACTUATOR PLATE (SIMULATES FORCE TO OPEN REMOTE LATCH POINTS BY CABLE, ETC)

REF: TR E5-6990