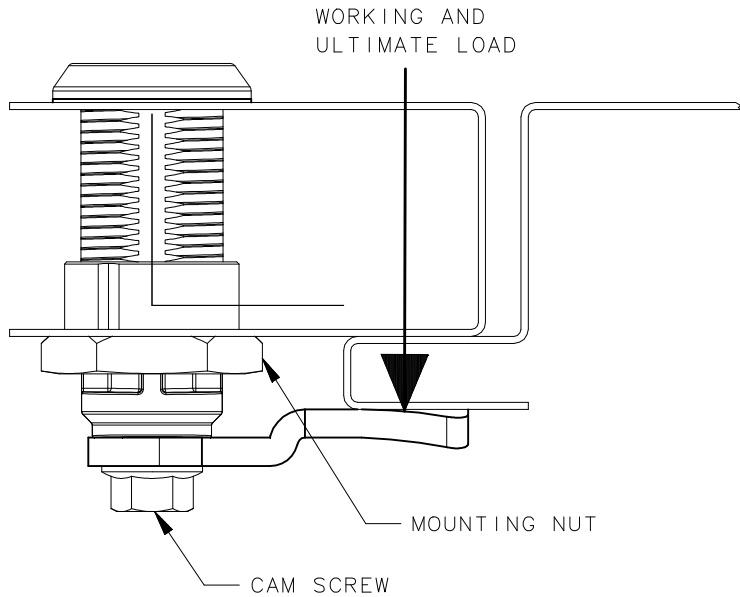


REVISION HISTORY			
REV	DATE	BY	DESCRIPTION
A	29MAY2020	IR/MJS	PRN: P2020-1003

SOUTHCO PERFORMANCE GUIDELINES

THE PERFORMANCE GUIDELINES SHOWN ON THIS PAGE ARE SUPLIED AS A GENERAL GUIDE ONLY AS CONDITIONS VARY WITH EACH APPLICATION AND METHOD OF INSTALLATION. STRENGTH DATA GIVEN IS FOR FAILURE OF THE PRODUCT OF FOR SUFFICIENT DEFORMATION TO MAKE THE PRODUCT INOPERABLE. NO SAFETY FACTOR HAS BEEN APPLIED. IT IS RECOMMENDED THAT THE USER REQUEST A PRODUCT SAMPLE FOR TESTING TO DETERMINE THE SUITABILITY OF THE PRODUCT FOR THE PURPOSE INTENDED AND USER'S PARTICULAR APPLICATION



TEST DESCRIPTION		E5-6A-WWX-UUY
MAXIMUM STATIC LOAD	①	330 N
AVERAGE ULTIMATE LOAD	②	450 N
MAXIMUM RECOMMENDED MOUNTING NUT TIGHTENING TORQUE		10 N-m
MAXIMUM RECOMMENDED CAM SCREW TIGHTENING TORQUE		5 N-m
CYCLE LIFE	③	15,000 AT 67 N

NOTES:

1. MAXIMUM STATIC LOAD IS THE MAXIMUM RECOMMENDED LOAD AFTER ONE TIME APPLICATION AND REMOVA OF WHICH THE PRODUCT CONTINUES TO FUNCTION PROPERLY.
2. AVERAGE ULTIMATE LOAD IS THE AVERAGE LOAD THAT CAUSES FIALURE OR EXCESSIVE DEFORMATION WHICH RENDERS THE PRODUCT INOPERABLE.
3. CYCLE TESTING WAS CONDUCTED AS FOLLOWS: 5,000 CYCLES AT -35° C, 5,000 AT AMBIENT, AND 5,000 CYCLES AT 65° C.

REF: trE5-38513

CPB NUMBER 2017-1147	THIRD ANGLE PROJECTION	 CONNECT • CREATE • INNOVATE	
	MILLIMETERS [IN]		
SURFACE AREA XXXXXmm ²	TOLERANCES UNLESS OTHERWISE NOTED	DESCRIPTION E5 CAM LATCH, LONG HOUSING, SINGLE POINT	
VOLUME XXXXXmm ³	UP TO 0.5 ±0.05 OVER 0.5 UP TO 6 ±0.1 OVER 6 UP TO 30 ±0.2 OVER 30 ±0.3 ANGLES ±1°	SIZE A4	SYSTEM NX
PROPRIETARY ITEM <small>EXCEPT FOR USES EXPRESSLY GRANTED IN WRITING, INFORMATION DISCLOSED HEREON IS CONFIDENTIAL AND ALL RIGHTS, PATENT AND OTHERWISE, ARE RESERVED BY SOUTHCO, INC.</small>	PER ASME Y14.5M-1994	DWG NO. TD-E5-6A-J	SCALE NONE
		DATE 28MAY2020	SHEET 1 OF 1