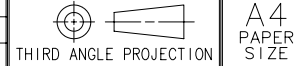


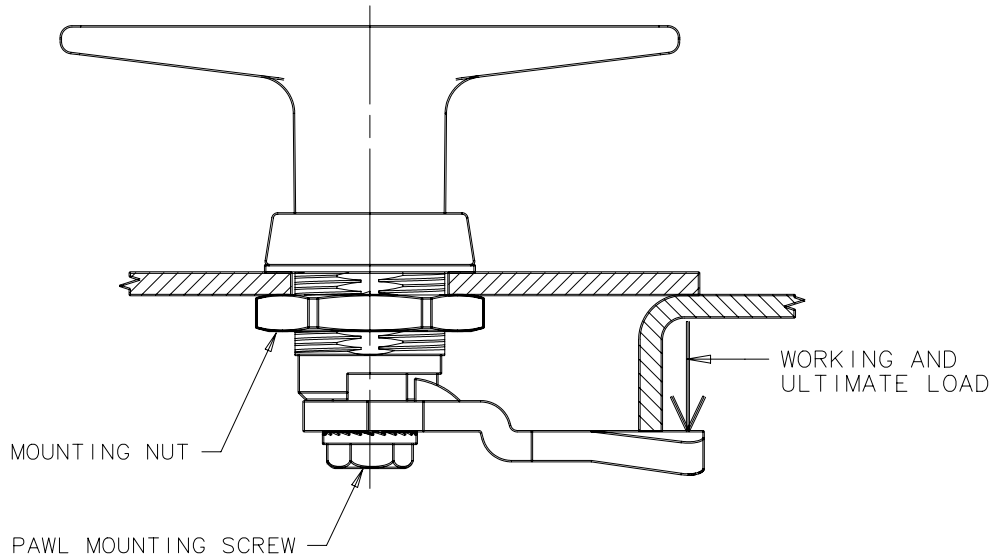
REV	DATE	DRAWN/CHKD	DESCRIPTION
A	27JUL2007	MJS/LAH	ADDED NOTE 5 & TR E5-44



A4
PAPER
SIZE

SOUTHCO PERFORMANCE GUIDELINES

THE PERFORMANCE GUIDELINES SHOWN ON THIS PAGE ARE SUPPLIED AS A GENERAL GUIDE ONLY, AS CONDITIONS VARY WITH EACH APPLICATION AND METHOD OF INSTALLATION. STRENGTH DATA GIVEN IS FOR FAILURE OF THE PRODUCT OR FOR SUFFICIENT DEFORMATION TO MAKE PRODUCT INOPERABLE. NO SAFETY FACTOR HAS BEEN APPLIED IT IS RECOMMENDED THAT THE USER REQUEST A PRODUCT SAMPLE FOR TESTING TO DETERMINE THE SUITABILITY OF THE PRODUCT FOR THE PURPOSE INTENDED AND USER'S PARTICULAR APPLICATION.



TEST DESCRIPTION	E5-9-6XX-UU1-XX
① MAXIMUM RECOMMENDED STATIC WORKING LOAD	330 N
② AVERAGE ULTIMATE LOAD	450 N
③ MAXIMUM RECOMMENDED MOUNTING NUT TIGHTENING TORQUE	10 N•m
④ MAXIMUM RECOMMENDED PAWL SCREW TIGHTENING TORQUE	4 N•m
CYCLE LIFE	15,000 AT 67 N

- ① STATIC WORKING LOAD IS THE MAXIMUM FORCE THAT THE PRODUCT WILL WITHSTAND WITHOUT AFFECTING THE OPERATION OR APPEARANCE OF THE PRODUCT.
- ② AVERAGE ULTIMATE LOAD CAUSES FAILURE OF THE PRODUCT OR SUFFICIENT DEFORMATION TO MAKE THE PRODUCT INOPERABLE.
- ③ FAILURE OCCURED WHEN THE THREADS ON THE HOUSING STRIPPED.
- ④ FAILURE OCCURED WHEN THE PHILLIPS RECESS STRIPPED.
- ⑤ FOR EACH PART E5-9-615-UU1-13 AND E5-9-625-UU1-13, THERE WAS NO WATER INTRUSION DURING NEMA 4 TESTING.