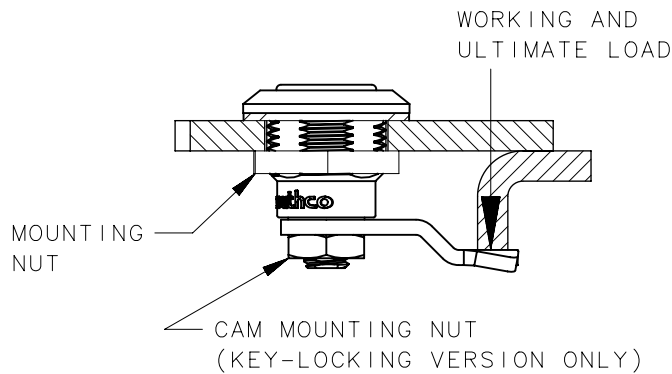
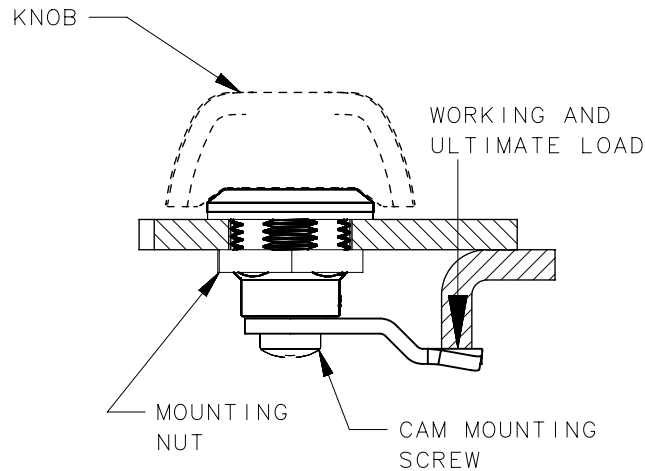


REVISION HISTORY			
REV	DATE	BY	DESCRIPTION
D	08DEZ2022	LSS/RCS	PRN: P2022-2149

SOUTHCO PERFORMANCE GUIDELINES

THE PERFORMANCE GUIDELINES SHOWN ON THIS PAGE ARE SUPPLIED AS A GENERAL GUIDE ONLY, AS CONDITIONS VARY WITH EACH APPLICATION AND METHOD OF INSTALLATION. STRENGTH DATA GIVEN IS FOR FAILURE OF THE PRODUCT OR FOR SUFFICIENT DEFORMATION TO MAKE THE PRODUCT INOPERABLE. NO SAFETY FACTOR HAS BEEN APPLIED. IT IS RECOMMENDED THAT THE USER REQUEST A PRODUCT SAMPLE FOR TESTING TO DETERMINE THE SUITABILITY OF THE PRODUCT FOR THE PURPOSE INTENDED AND USER'S PARTICULAR APPLICATION.



REF: trE5-34948, trE5-49353, trE5-44693
and trE5-51631

TEST DESCRIPTION	E5-M-WWX-YY1	GENERAL NOTES
RECOMMENDED MAXIMUM STATIC LOAD	100 N	SEE NOTE 1
AVERAGE ULTIMATE LOAD	150 N	SEE NOTE 2
MAXIMUM RECOMMENDED MOUNTING NUT TIGHTENING TORQUE	5 Nm	SEE NOTE 3
MAXIMUM RECOMMENDED CAM MOUNTING SCREW TIGHTENING TORQUE	1 Nm	SEE NOTE 4
MAXIMUM RECOMMENDED CAM MOUNTING NUT TIGHTENING TORQUE	2 Nm	
CYCLE LIFE	10000 AT 20 N	SEE NOTE 5

NOTES:

1. MAXIMUM STATIC LOAD IS THE MAXIMUM RECOMMENDED LOAD AFTER ONE TIME APPLICATION AND REMOVAL OF WHICH THE PRODUCT CONTINUES TO FUNCTION PROPERLY.
2. AVERAGE ULTIMATE LOAD CAUSES FAILURE OF THE PRODUCT OR SUFFICIENT DEFORMATION TO MAKE THE PRODUCT INOPERABLE.
3. FAILURE OCCURED WHEN THE THREADS ON THE HOUSING STRIPPED.
4. FAILURE OCCURED WHEN THE THREADS ON THE DRIVER STRIPPED.
5. A 100 N LOAD WAS APPLIED TO LATCHES BEFORE CYCLING TEST.

	THIRD ANGLE PROJECTION	 CONNECT • CREATE • INNOVATE			
	MILLIMETERS [IN]				
SURFACE AREA	TOLERANCES UNLESS OTHERWISE NOTED	DESCRIPTION E5 MINI CAM LATCH			
VOLUME	ALL DIMENSIONS WITHOUT TOLERANCES ARE FOR REFERENCE ONLY.	SIZE A4	SYSTEM NX	DWG NO. TD-E5-M-J	
PROPRIETARY ITEM <small>EXCEPT FOR USES EXPRESSLY GRANTED IN WRITING, INFORMATION DISCLOSED HEREON IS CONFIDENTIAL AND ALL RIGHTS, PATENT AND OTHERWISE, ARE RESERVED BY SOUTHCO, INC.</small>	PER ASME Y14.5M-1994	DRAWN BY RM/EC	DATE 28JUN2018	SCALE 1:1	SHEET 1 OF 1