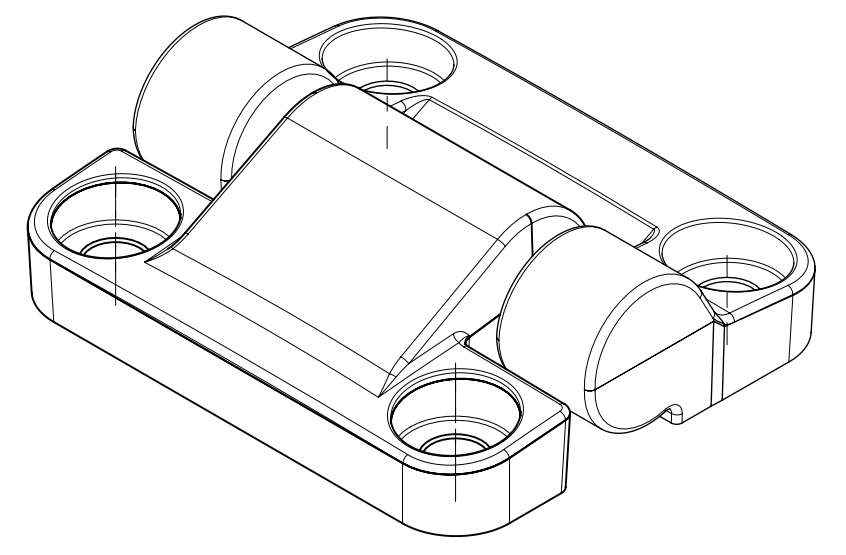
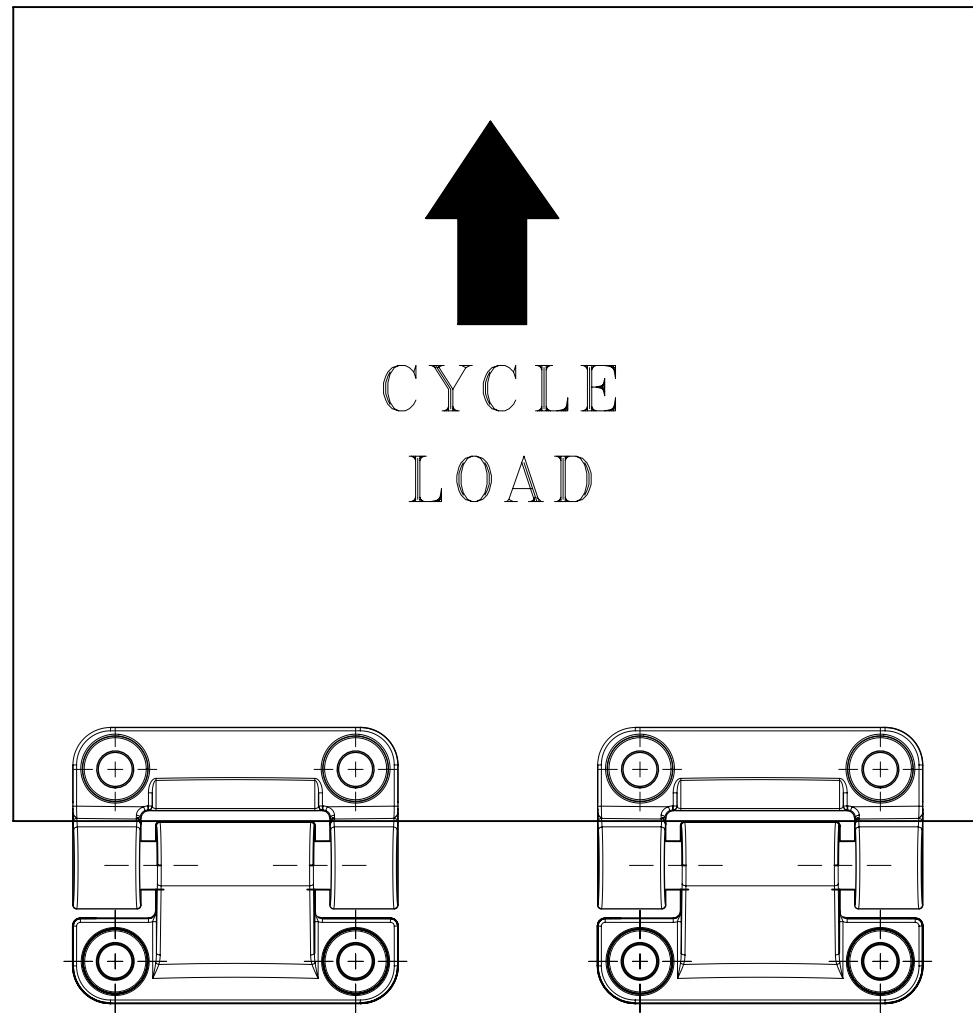
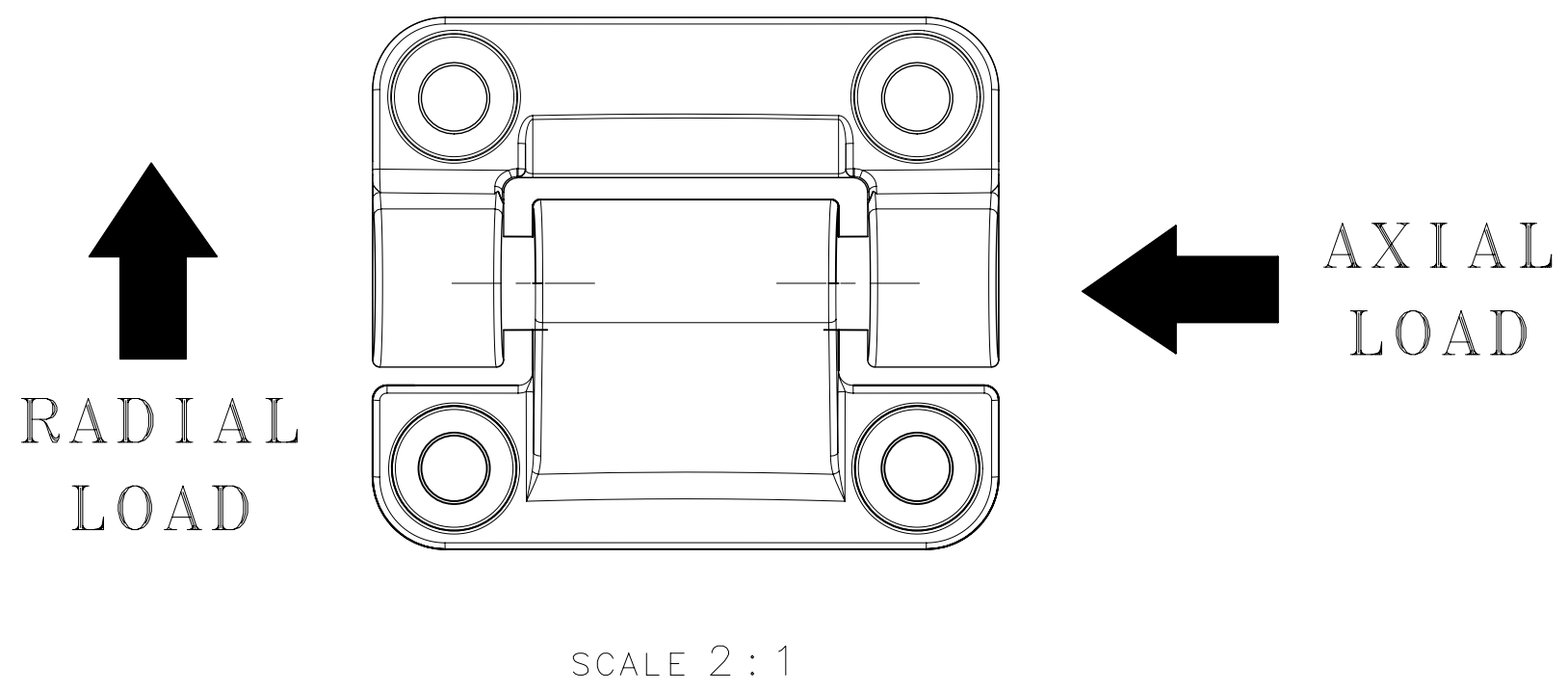


PART NUMBER	E6-19P CARTRIDGE	FORWARD TORQUE, Nm (in-lbf)	REVERSE TORQUE, Nm (in-lbf)	AVERAGE ULTIMATE RADIAL LOAD, N/lbf		AVERAGE ULTIMATE AXIAL LOAD, N/lbf	CYCLE LIFE	MAXIMUM WORKING LOAD, N/lbf	
				INLINE	PERPENDICULAR			AXIAL	RADIAL, INLINE
E6-50-314S-ZZ	E6-19P-214S-26	1.58 (14)							
E6-50-310S-ZZ	E6-19P-210S-26	1.13 (10)							
E6-50-308S-ZZ	E6-19P-208S-26	0.90 (8)							
E6-50-304S-ZZ	E6-19P-204S-26	0.45 (4)							
E6-50-300-ZZ	-	FREE SWINGING							
E6-50-316F-ZZ	E6-19P-216F-26	1.81 (16)	1.27 (11.2) REF	2400/539	1040/234	1440/323	20,000	200/45	200/45
E6-50-312F-ZZ	E6-19P-212F-26	1.36 (12)	0.95 (8.4) REF						
E6-50-308F-ZZ	E6-19P-208F-26	0.90 (8)	0.63 (5.6) REF						
E6-50-304F-ZZ	E6-19P-204F-26	0.45 (4)	0.32 (2.8) REF						
E6-50-316R-ZZ	E6-19P-216R-26	1.27 (11.2) REF	1.81 (16)						
E6-50-312R-ZZ	E6-19P-212R-26	0.95 (8.4) REF	1.36 (12)						
E6-50-308R-ZZ	E6-19P-208R-26	0.63 (5.6) REF	0.90 (8)						
E6-50-304R-ZZ	E6-19P-204R-26	0.32 (2.8) REF	0.45 (4)						

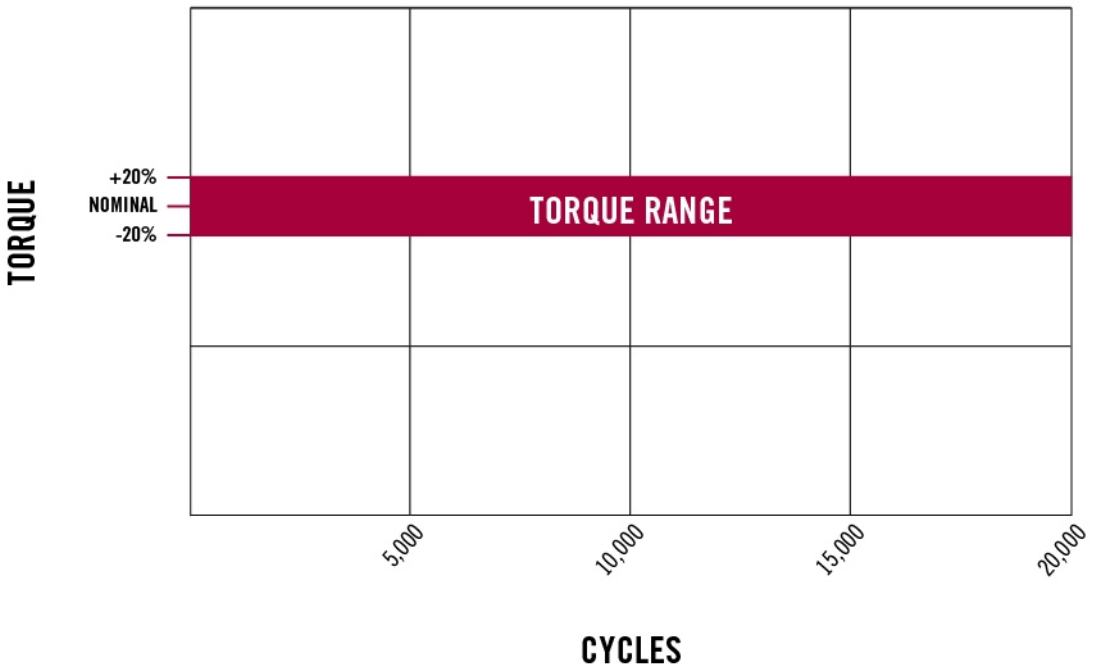
REVISION HISTORY			
REV	DATE	BY	DESCRIPTION
A	14FEB2024	AJH/NJF	PRN: 2024-0257



SOUTHCO PERFORMANCE GUIDELINES:
 THE PERFORMANCE GUIDELINES SHOWN ON THIS PAGE ARE SUPPLIED AS A GENERAL GUIDE ONLY, AS CONDITIONS VARY WITH EACH APPLICATION AND METHOD OF INSTALLATION. STRENGTH DATA GIVEN IS FOR FAILURE OF THE PRODUCT OR FOR SUFFICIENT DEFORMATION TO MAKE THE PRODUCT INOPERABLE. NO SAFETY FACTOR HAS BEEN APPLIED IT IS RECOMMENDED THAT THE USER REQUEST A PRODUCT SAMPLE FOR TESTING TO DETERMINE THE SUITABILITY OF THE PRODUCT FOR THE PURPOSE INTENDED AND USER'S PARTICULAR APPLICATION.



TYPICAL TORQUE TREND FOR E6-5X-XX-XX (REFERENCE ONLY)



- NOTES:
- ONE CYCLE = CLOSED POSITION TO OPEN POSITION AT 180° PLUS RETURN TO INITIAL CLOSED POSITION.
 - TORQUE SPECIFICATIONS AT A CYCLE LIFE OF 20,000.
 - PERFORMANCE TORQUE TOLERANCE ±20% OVER 20,000 CYCLES
 - CYCLING TESTING WAS CONDUCTED USING THE FOLLOWING PROFILE:
 - 5,000 CYCLES AT -20°C
 - 10,000 CYCLES AT AMBIENT
 - 5,000 CYCLES AT 80°C
 - CYCLE TEST CONDUCTED TILT MOVEMENT TILT TEST USING A 1.13 kg (2.5 lbf) TEST DISPLAY PANEL.
 - FOR TEST REPORTS SEE trE6-1395455.

THIRD ANGLE PROJECTION		 CONNECT · CREATE · INNOVATE
MILLIMETERS [IN]		
TOLERANCES UNLESS OTHERWISE NOTED	UP TO 0.5 ±0.05 OVER 0.5 UP TO 6 ±0.1 OVER 6 UP TO 30 ±0.2 OVER 30 ±0.3 ANGLES ±1°	DESCRIPTION: HINGE & CONTROLLED MOTION DEVICE SIZE: C SYSTEM: NX DWG NO.: TD-E6-50-300
PROPRIETARY ITEM EXCEPT FOR USES EXPRESSLY GRANTED IN WRITING, INFORMATION DISCLOSED HEREON IS CONFIDENTIAL AND ALL RIGHTS, PATENT AND OTHERWISE, ARE RESERVED BY SOUTHCO, INC.	PER ASME Y14.5M-2009	DRAWN BY: AJH DATE: 16NOV2022 SCALE: 1:1 SHEET 1 OF 1