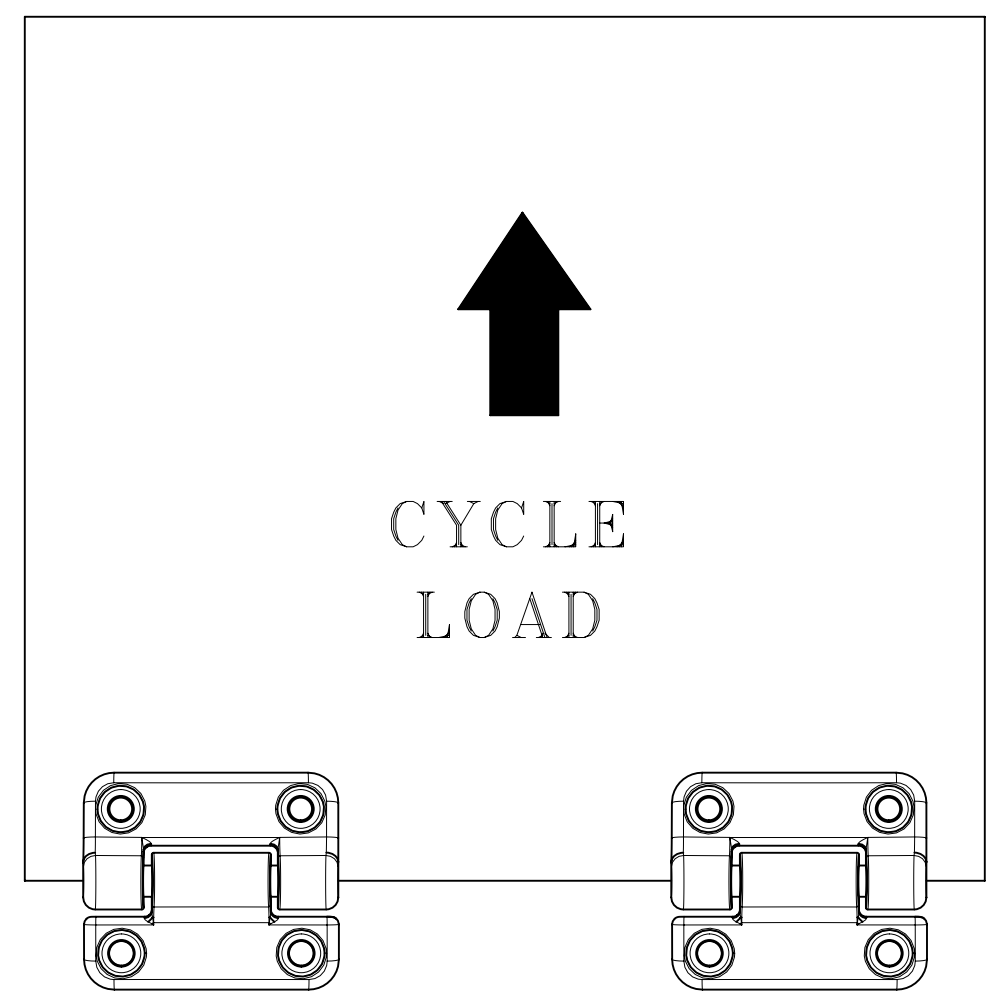
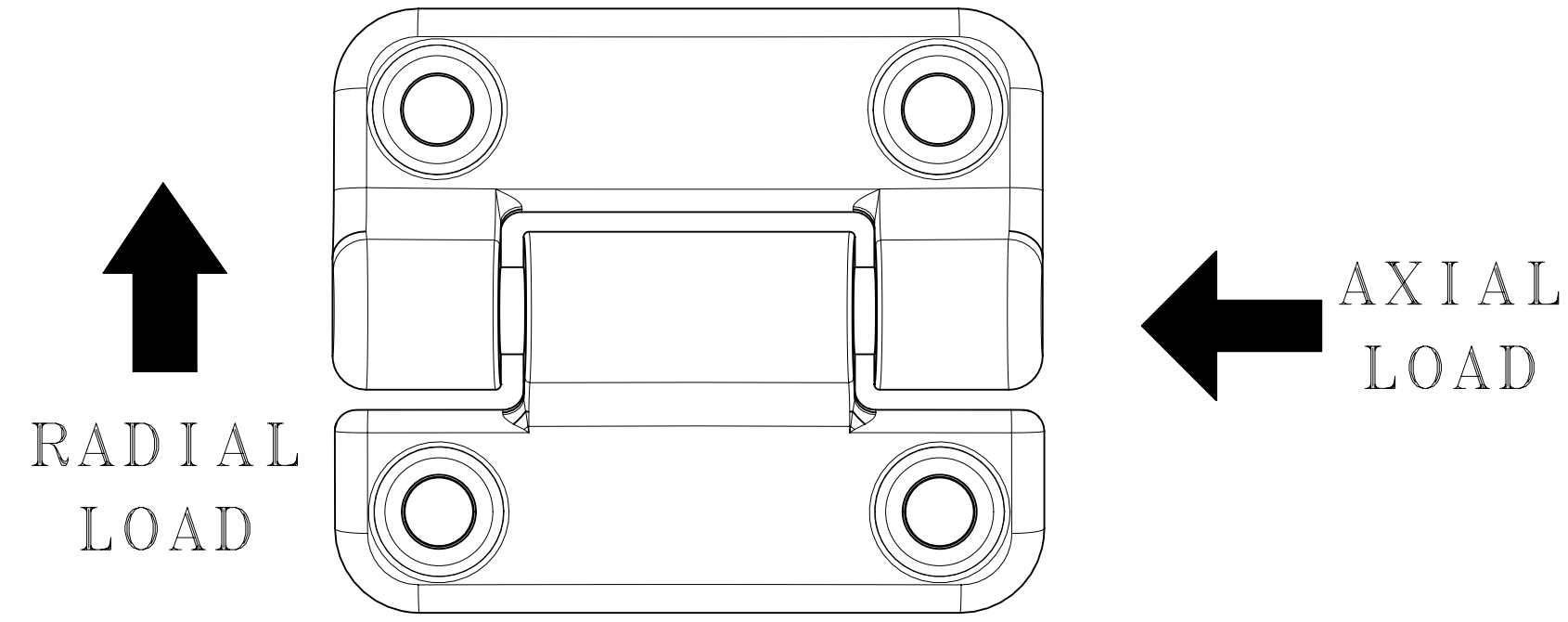


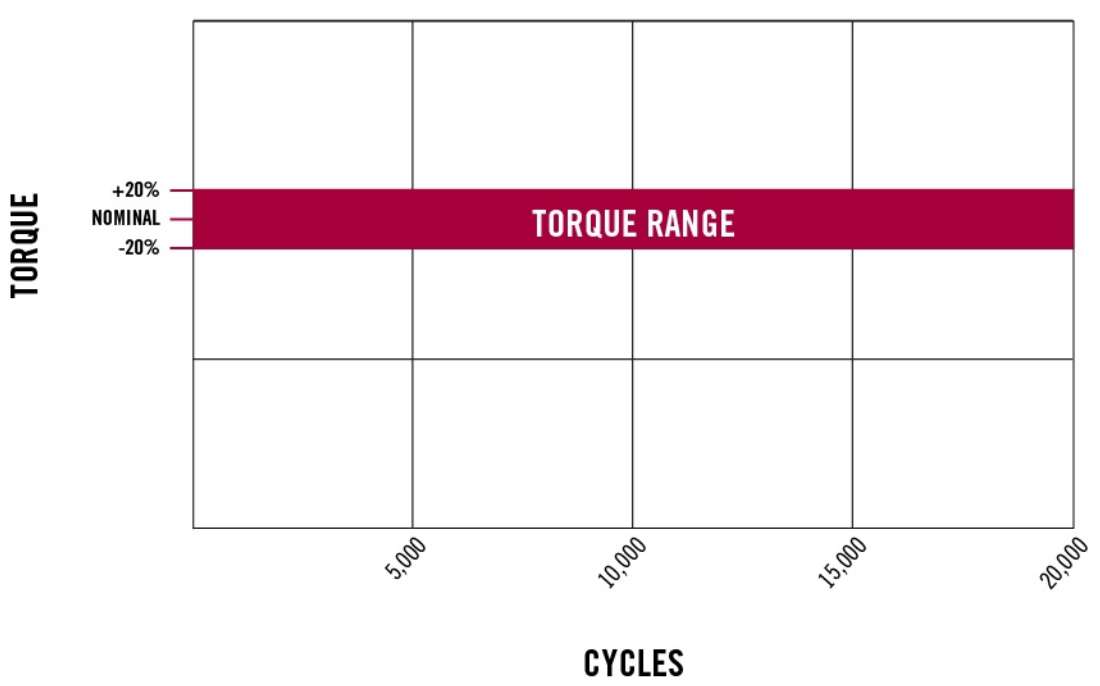
PART NUMBER	ST-11P2 CARTRIDGE	TORQUE, Nm (in-lbf)		AVERAGE ULTIMATE RADIAL LOAD, N/lbf		AVERAGE ULTIMATE AXIAL LOAD, N/lbf	CYCLE LIFE	MAXIMUM WORKING LOAD, N/lbf		
		FORWARD	REVERSE	INLINE	PERPENDICULAR			AXIAL	RADIAL, INLINE	
		(in-lbf)	(in-lbf)							
E6-50-535S-ZZ	ST-11P2-350SA1-33	3.95	3.95	2500/562	1500/337	2500/562	20,000	200/45	200/45	
E6-50-530S-ZZ	ST-11P2-300SA1-33	3.39	3.39							
E6-50-525S-ZZ	ST-11P2-250SA1-33	2.82	2.82							
E6-50-520S-ZZ	ST-11P2-200SA1-33	2.26	2.26							
E6-50-515S-ZZ	ST-11P2-150SA1-33	1.69	1.69							
E6-50-540F-ZZ	ST-11P2-400FA1-33	4.52	3.16							REF
E6-50-535F-ZZ	ST-11P2-350FA1-33	3.95	2.77							REF
E6-50-530F-ZZ	ST-11P2-300FA1-33	3.39	2.37							REF
E6-50-525F-ZZ	ST-11P2-250FA1-33	2.82	1.98							REF
E6-50-520F-ZZ	ST-11P2-200FA1-33	2.26	1.58							REF
E6-50-515F-ZZ	ST-11P2-150FA1-33	1.69	1.19							REF
E6-50-540R-XX	ST-11P2-400RA1-33	3.16	4.52							REF
E6-50-535R-XX	ST-11P2-350RA1-33	2.77	3.95							REF
E6-50-530R-XX	ST-11P2-300RA1-33	2.37	3.39							REF
E6-50-525R-XX	ST-11P2-250RA1-33	1.98	2.82							REF
E6-50-520R-XX	ST-11P2-200RA1-33	1.58	2.26							REF
E6-50-515R-XX	ST-11P2-150RA1-33	1.19	1.69	REF						

REVISION HISTORY			
REV	DATE	BY	DESCRIPTION
C	04SEP2019	KMB/JJT	PRN: P2019-2242

SOUTHCO PERFORMANCE GUIDELINES:  
 THE PERFORMANCE GUIDELINES SHOWN ON THIS PAGE ARE SUPPLIED AS A GENERAL GUIDE ONLY, AS CONDITIONS VARY WITH EACH APPLICATION AND METHOD OF INSTALLATION. STRENGTH DATA GIVEN IS FOR FAILURE OF THE PRODUCT OR FOR SUFFICIENT DEFORMATION TO MAKE THE PRODUCT INOPERABLE. NO SAFETY FACTOR HAS BEEN APPLIED IT IS RECOMMENDED THAT THE USER REQUEST A PRODUCT SAMPLE FOR TESTING TO DETERMINE THE SUITABILITY OF THE PRODUCT FOR THE PURPOSE INTENDED AND USER'S PARTICULAR APPLICATION.



TYPICAL TORQUE TREND FOR E6-5X-XX-XX (REFERENCE ONLY)



- NOTES:
- ONE CYCLE = CLOSED POSITION TO OPEN POSITION AT 180° PLUS RETURN TO INITIAL CLOSED POSITION.
  - TORQUE SPECIFICATIONS AT A CYCLE LIFE OF 20,000.
  - PERFORMANCE TORQUE TOLERANCE ±20% OVER 20,000 CYCLES
  - CYCLING TESTING WAS CONDUCTED USING THE FOLLOWING PROFILE:
    - 5,000 CYCLES AT -20° C
    - 10,000 CYCLES AT AMBIENT
    - 5,000 CYCLES AT 80° C
  - FOR TEST REPORTS SEE trE6-32571 & trST-30682.
- CYCLE TEST CONDUCTED TILT MOVEMENT TILT TEST USING A 2.0 kg (4.41 lbf) TEST DISPLAY PANEL.

THIRD ANGLE PROJECTION		 CONNECT • CREATE • INNOVATE	
MILLIMETERS [IN]			
SURFACE AREA mm <sup>2</sup>		DESCRIPTION E6-50-500 HINGE	
VOLUME mm <sup>3</sup>		SIZE C SYSTEM NX DWG NO. TD-E6-50-500	
PROPRIETARY ITEM		DRAWN BY JJT DATE 08MAR2018 SCALE 1:1 SHEET 1 OF 1	
EXCEPT FOR USES EXPRESSLY GRANTED IN WRITING, INFORMATION DISCLOSED HEREON IS CONFIDENTIAL AND ALL RIGHTS, PATENT AND OTHERWISE, ARE RESERVED BY SOUTHCO, INC.		PER ASME Y14.5M-1994	