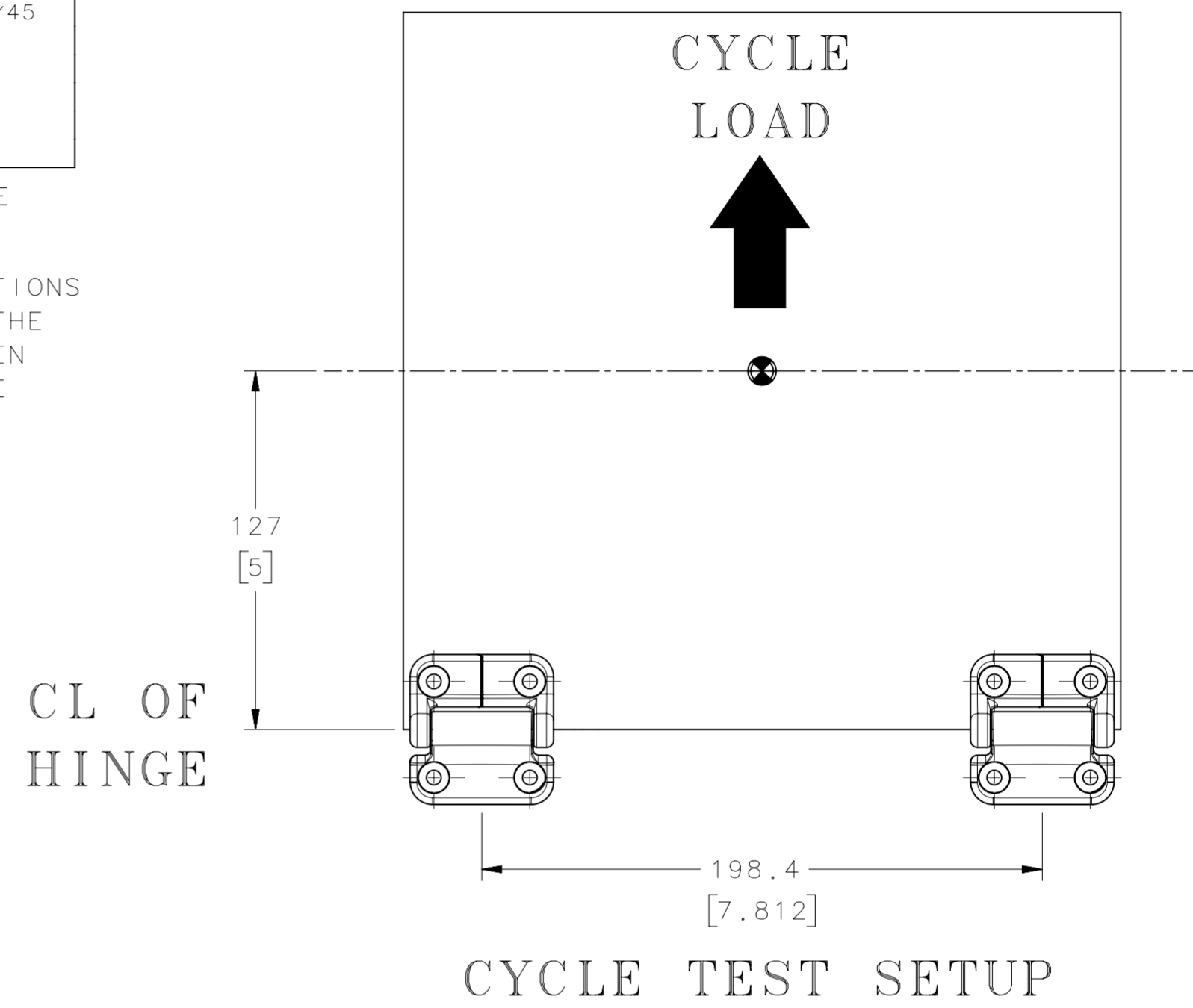
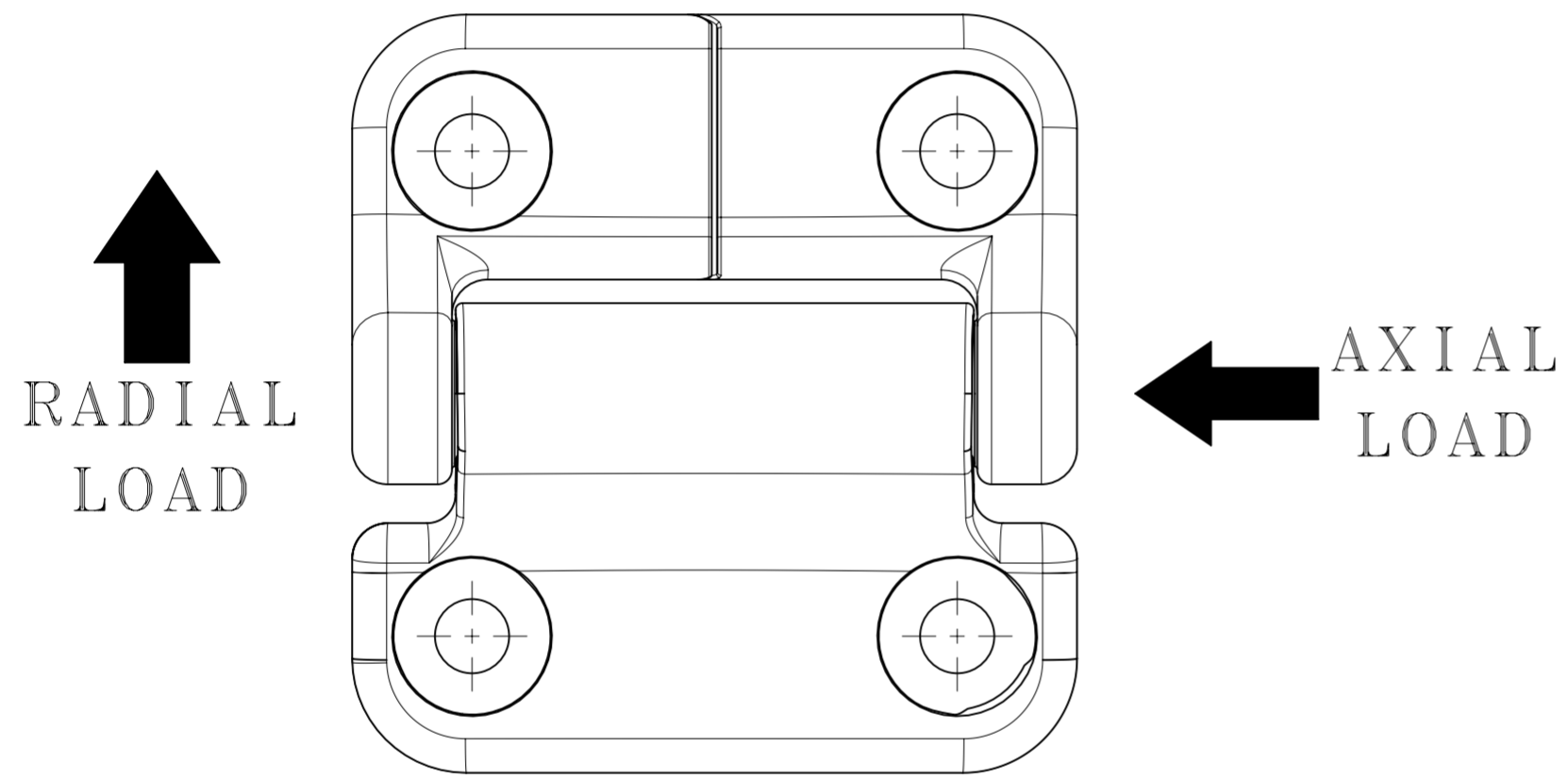


PART NUMBER	FORWARD TORQUE, Nm (in-lbf)	REVERSE TORQUE, Nm (in-lbf)	AVERAGE ULTIMATE RADIAL LOAD, N/lbf		AVERAGE ULTIMATE AXIAL LOAD, N/lbf	CYCLE LIFE	MAXIMUM WORKING LOAD, N/lbf ①	
			INLINE	PERPENDICULAR			AXIAL	RADIAL, INLINE
E6-71-400-XX	0.00 (0.00) REF	0.00 (0.00) REF						
E6-71-408S-XX	0.90 (8.0)	0.90 (8.0)						
E6-71-416S-XX	1.81 (16.0)	1.81 (16.0)						
E6-71-420S-XX	2.26 (20.0)	2.26 (20.0)						
E6-71-430S-XX	3.39 (30.0)	3.39 (30.0)						
E6-71-420F-XX	2.26 (20.0)	1.54 (13.6) REF	13,000/2922	13,000/2922	4000/899	20,000	200/45	200/45
E6-71-430F-XX	3.39 (30.0)	2.30 (20.4) REF						
E6-71-440F-XX	4.52 (40.0)	3.08 (27.3) REF						
E6-71-420R-XX	1.54 (13.6) REF	2.26 (20.0)						
E6-71-430R-XX	2.30 (20.4) REF	3.39 (30.0)						
E6-71-440R-XX	3.08 (27.3) REF	4.52 (40.0)						

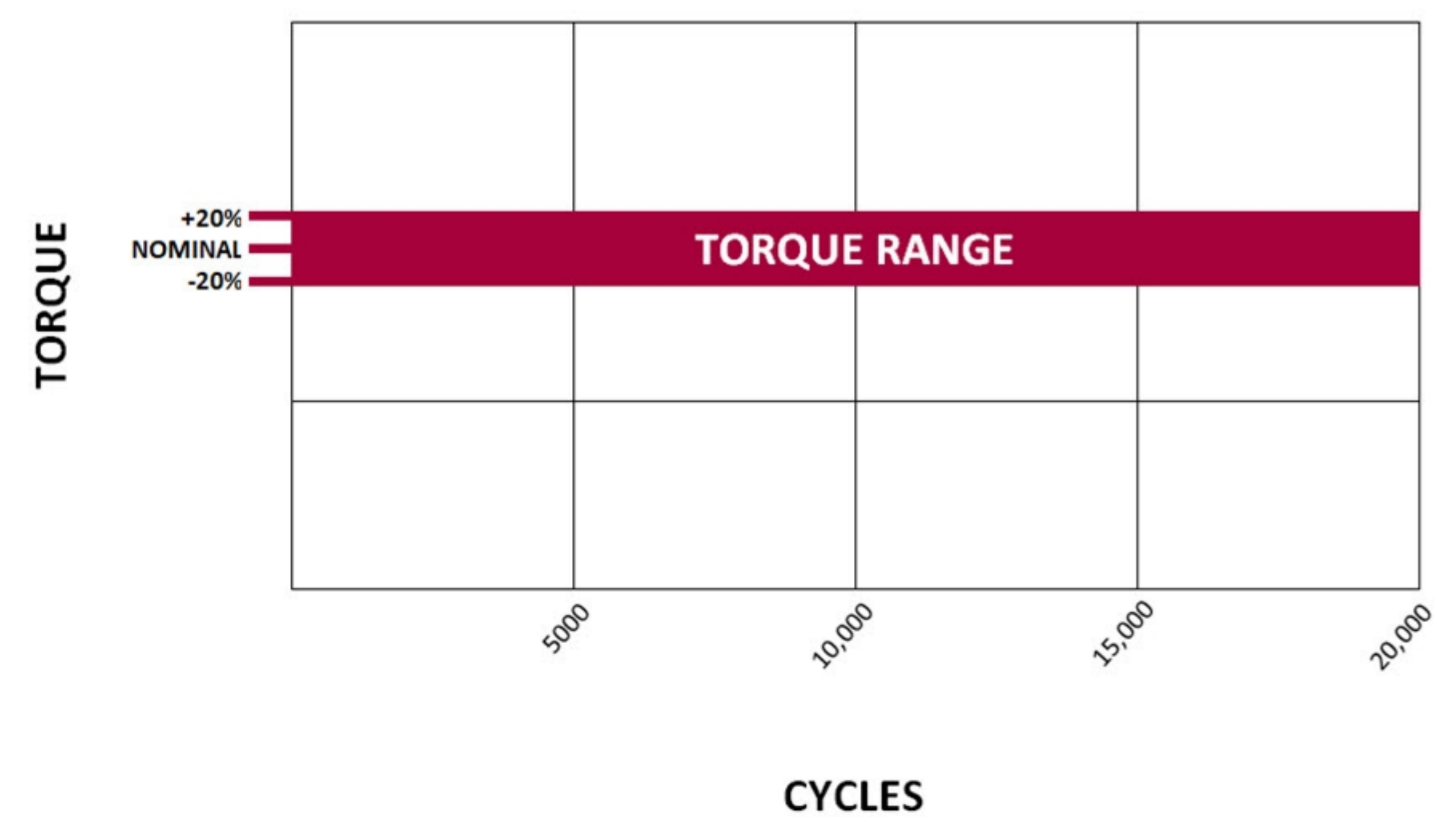
REVISION HISTORY			
REV	DATE	BY	DESCRIPTION
A	27AUG2024	AJD/DMS	PRN: P2024-1730

① AXIAL AND RADIAL LOADS APPLIED ONE TIME TO A SINGLE HINGE WITHOUT DEGRADATION OF PERFORMANCE

SOUTHCO PERFORMANCE GUIDELINES:
 THE PERFORMANCE GUIDELINES SHOWN ON THIS PAGE ARE SUPPLIED AS A GENERAL GUIDE ONLY, AS CONDITIONS VARY WITH EACH APPLICATION AND METHOD OF INSTALLATION. STRENGTH DATA GIVEN IS FOR FAILURE OF THE PRODUCT OR FOR SUFFICIENT DEFORMATION TO MAKE THE PRODUCT INOPERABLE. NO SAFETY FACTOR HAS BEEN APPLIED. IT IS RECOMMENDED THAT THE USER REQUEST A PRODUCT SAMPLE FOR TESTING TO DETERMINE THE SUITABILITY OF THE PRODUCT FOR THE PURPOSE INTENDED AND THE USER'S PARTICULAR APPLICATION.



TYPICAL TORQUE TREND FOR E6-7X-4XXX-XX (REFERENCE ONLY)



- NOTES:
- ONE CYCLE = CLOSED POSITION TO OPEN POSITION AT 180° PLUS RETURN TO INITIAL CLOSED POSITION
 - TORQUE SPECIFICATIONS AT A CYCLE LIFE OF 20,000
 - PERFORMANCE TORQUE TOLERANCE: ±20% OVER 20,000 CYCLES
 - CYCLE TESTING WAS CONDUCTED USING THE FOLLOWING PROFILE WITH A 2.27 kg (5.0 lbf) TEST PANEL:
 - 5,000 CYCLES AT -20°C
 - 10,000 CYCLES AT AMBIENT
 - 5,000 CYCLES AT 65°C
 - FOR TEST REPORTS SEE trE6-46155
trE6-49363
trE6-52523

CPB NUMBER 2019-0461	THIRD ANGLE PROJECTION	
	MILLIMETERS [IN]	
TOLERANCES UNLESS OTHERWISE NOTED		DESCRIPTION HINGE & CONTROLLED MOTION DEVICE, COUNTERSUNK
UP TO 0.5 ±0.05		SIZE SYSTEM A2 NX
OVER 0.5 UP TO 6 ±0.1		DWG NO. TD-E6-71-400
OVER 6 UP TO 30 ±0.2		SCALE 2:1
OVER 30 ±0.3		SHEET 1 OF 1
ANGLES ±1°		
PER ASME Y14.5M-2009		
PROPRIETARY ITEM EXCEPT FOR USES EXPRESSLY GRANTED IN WRITING, INFORMATION DISCLOSED HEREON IS CONFIDENTIAL AND ALL RIGHTS, PATENT AND OTHERWISE, ARE RESERVED BY SOUTHCO, INC.	DRAWN BY AJD	DATE 27AUG2024