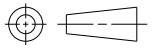


REV	DATE	DRAWN/CHKD	DESCRIPTION						
A	20MAY2011	MJS/GGG	INITIAL RELEASE						
B	26JUN2014	MJS/CLB	PRN: P2014-1293						

**MILLIMETERS**



THIRD ANGLE PROJECTION

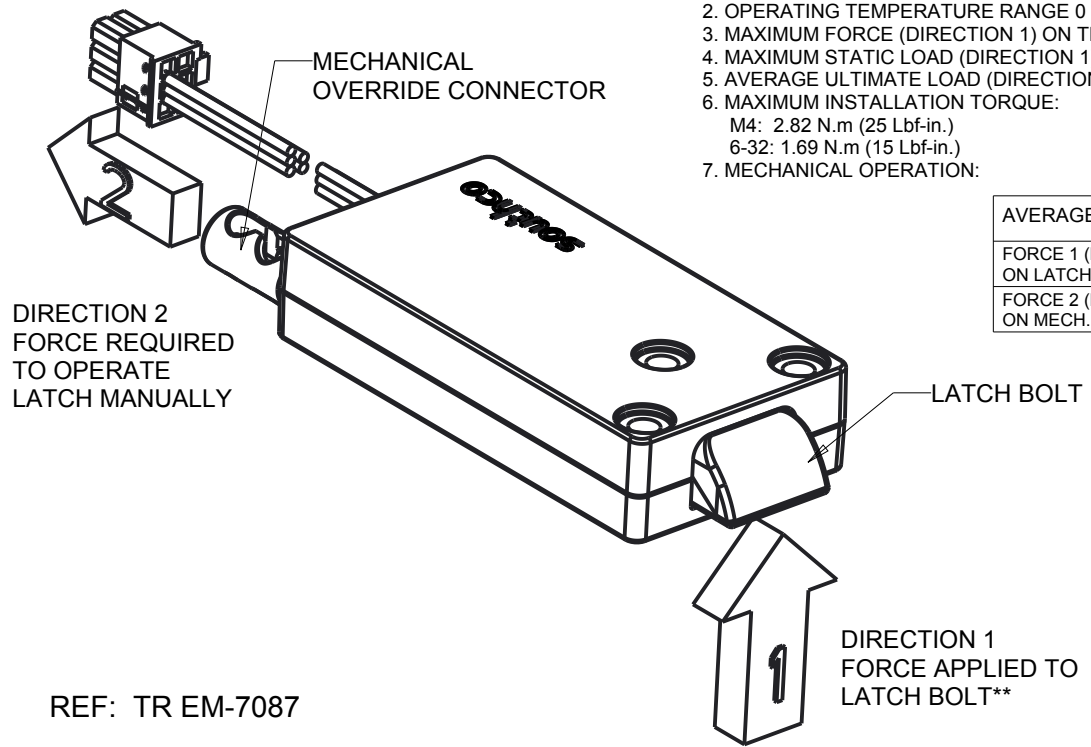
**A4  
PAPER  
SIZE**

THE PERFORMANCE GUIDELINES SHOWN ON THIS PAGE ARE SUPPLIED AS A GENERAL GUIDE ONLY, AS CONDITIONS VARY WITH EACH APPLICATION AND METHOD OF INSTALLATION. STRENGTH DATA GIVEN IS FOR FAILURE OF THE PRODUCT OR FOR SUFFICIENT DEFORMATION TO MAKE THE PRODUCT INOPERABLE. NO SAFETY FACTOR HAS BEEN APPLIED. IT IS RECOMMENDED THAT THE USER REQUEST A PRODUCT SAMPLE FOR TESTING TO DETERMINE THE SUITABILITY OF THE PRODUCT FOR THE PURPOSE INTENDED AND USER'S PARTICULAR APPLICATION.

PERFORMANCE VALUES APPLICABLE FOR EM-05-1X-XXX SERIES  
SEE J-EM-05-11-111 FOR LATCH DIMENSIONS

1. CYCLE LIFE WITH 30 (N) LATCH BOLT LOAD AT AMBIENT TEMPERATURE: 110000 CYCLES PERFORMED USING A 10:1 RATIO OF ELECTRICAL OPERATIONS (100K CYCLES) TO MECHANICAL OPERATIONS (10K CYCLES)
2. OPERATING TEMPERATURE RANGE 0 Celsius TO 60 Celsius.
3. MAXIMUM FORCE (DIRECTION 1) ON THE LATCH BOLT THAT THE LATCH CAN RELEASE ELECTRICALLY\*\*: 111 N (25 Lbf)
4. MAXIMUM STATIC LOAD (DIRECTION 1) ON THE LATCH BOLT 800N (180 Lbf)
5. AVERAGE ULTIMATE LOAD (DIRECTION 1) ON THE LATCH BOLT BEFORE LATCH BOLT FAILURE: 1400 N (315 Lbf)
6. MAXIMUM INSTALLATION TORQUE:  
M4: 2.82 N.m (25 Lbf-in.)  
6-32: 1.69 N.m (15 Lbf-in.)
7. MECHANICAL OPERATION:

FORCE 1 (N) ON LATCHBOLT**	5	10	25	50	75	125	175	225	275
FORCE 2 (N) ON MECH. OVERRIDE	4.6	5.9	9.3	14.8	19.8	30.6	40.2	49.4	58.6



REF: TR EM-7087

\*\* OPERATING LOAD TESTS ARE PERFORMED WITH THE LATCH BOLT SLIDING AGAINST A STEEL KEEPER