

southco®

PROPRIETARY ITEM - EXCEPT FOR USES EXPRESSLY GRANTED IN WRITING INFORMATION DISCLOSED HEREON IS CONFIDENTIAL AND ALL RIGHTS PATENT AND OTHERWISE ARE RESERVED BY SOUTHCO, INC.

24V ELECTRONIC KEEPER
STANDARD LATCH BOLT

DATE	DRAWN	CHKD	SCALE	DRAWING NUMBER
08APR2010	MJS	CLB	1:1	TD-EM-10-3-J

REV	DATE	DRAWN/CHKD	DESCRIPTION
A	08APR2010	MJS/CLB	INITIAL DRAWING RELEASE



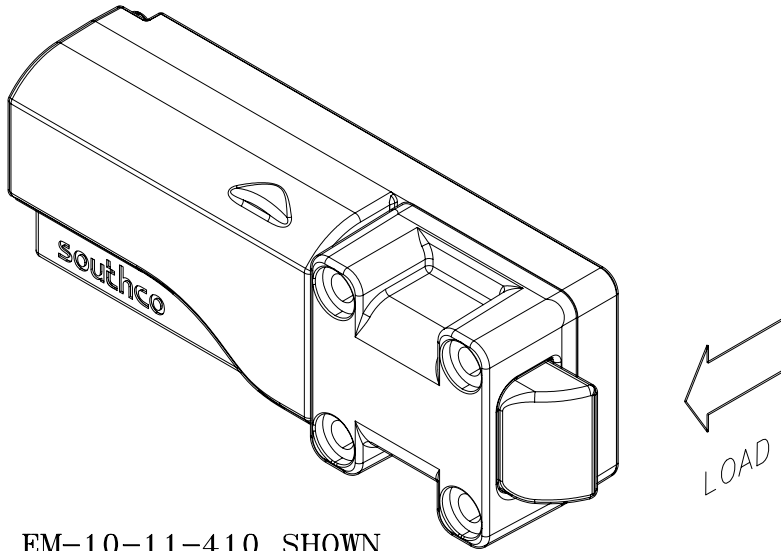
THIRD ANGLE PROJECTION

A4 PAPER SIZE

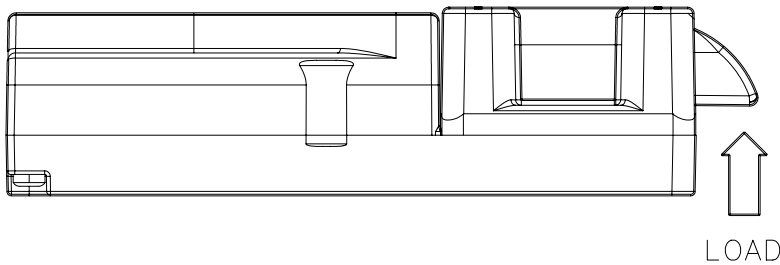
SOUTHCO PERFORMANCE GUIDELINES
THE PERFORMANCE GUIDELINES SHOWN ON THIS PAGE ARE SUPPLIED AS A GENERAL GUIDE ONLY, AS CONDITIONS VARY WITH EACH APPLICATION AND METHOD OF INSTALLATION. STRENGTH DATA GIVEN IS FOR FAILURE OF THE PRODUCT OR FOR SUFFICIENT DEFORMATION TO MAKE PRODUCT INOPERABLE. NO SAFETY FACTOR HAS BEEN APPLIED. IT IS RECOMMENDED THAT THE USER REQUEST A PRODUCT SAMPLE FOR TESTING TO DETERMINE THE SUITABILITY OF THE PRODUCT FOR THE PURPOSE INTENDED AND USER'S PARTICULAR APPLICATION.

PART NUMBER EM-10-1X-410

See J-EM-10-13-410 for latch dimensions



EM-10-11-410 SHOWN



CYCLE LIFE AT 31 N (7 Lbf.)	MAXIMUM WORKING LOAD	MAXIMUM INSTALLATION TORQUE	ULTIMATE LOAD ON LATCH BOLT
100,000	270 N (60 Lbf.)	M4: 2.27 N m (20 Lbf.-in.)	1420 N (320 Lbf.)
		6/32: 1.67 N m (15 Lbf.-in.)	

- ① Cycle Life greater than 100K attainable at less than 31 N loads.
- ② 100,000 at 25°C.
- ③ Tested at 9 VDC, Minimum Recommended Input Voltage.