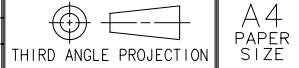
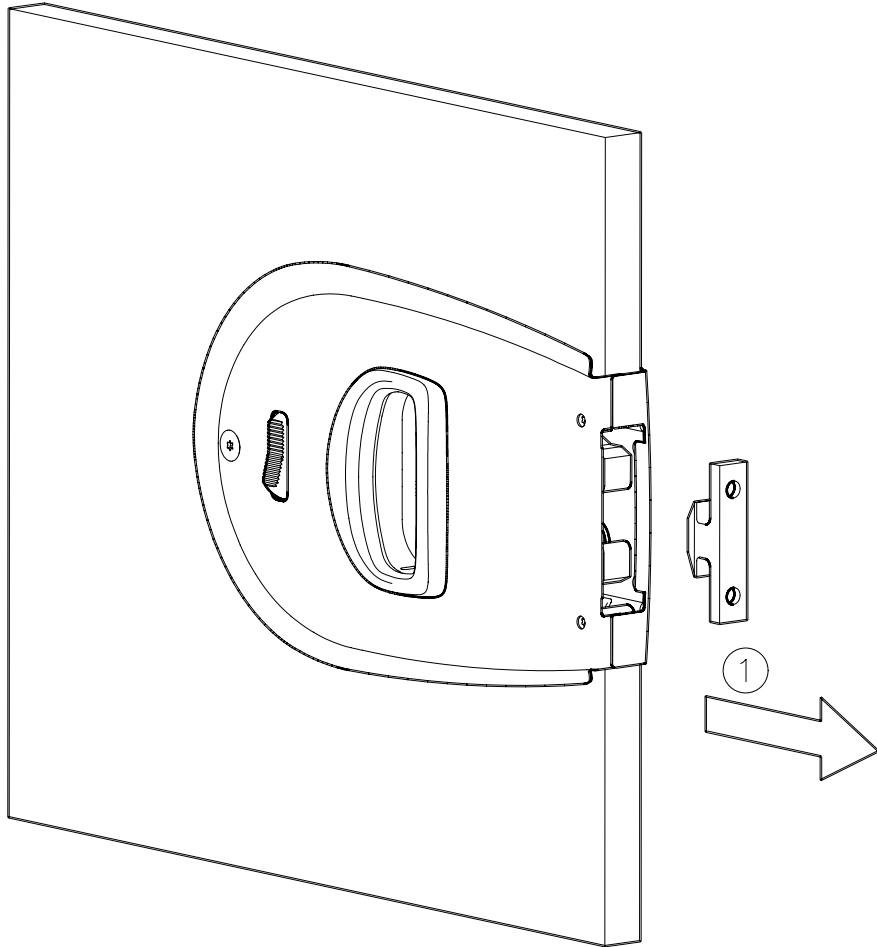


REV	DATE	DRAWN/CHKD	DESCRIPTION										



SOUTHCO PERFORMANCE GUIDELINES
 THE PERFORMANCE GUIDELINES SHOWN ON THIS PAGE ARE SUPPLIED AS A GENERAL GUIDE ONLY, AS CONDITIONS VARY WITH EACH APPLICATION AND METHOD OF INSTALLATION. STRENGTH DATA GIVEN IS FOR FAILURE OF THE PRODUCT OR FOR SUFFICIENT DEFORMATION TO MAKE PRODUCT INOPERABLE. NO SAFETY FACTOR HAS BEEN APPLIED. IT IS RECOMMENDED THAT THE USER REQUEST A PRODUCT SAMPLE FOR TESTING TO DETERMINE THE SUITABILITY OF THE PRODUCT FOR THE PURPOSE INTENDED AND USER'S PARTICULAR APPLICATION.



PART NUMBER: MF-05-430-24

AVERAGE ULTIMATE TENSILE LOAD ①
ON PAWL
4050 N (910 lbf)

CYCLE LIFE - Samples performed flawlessly after 5,000 cycles and showed no noticeable signs of wear.

First cycle testing was performed by opening and closing, the lock was in unlocked position.

All samples were installed according to installation instructions. Next, lock plug and shutter mechanism were cycled and performed flawlessly after 2,500 cycles.

Lock testing was performed by inserting a key and then rotate the key to its end position in both directions 2,500 cycles.