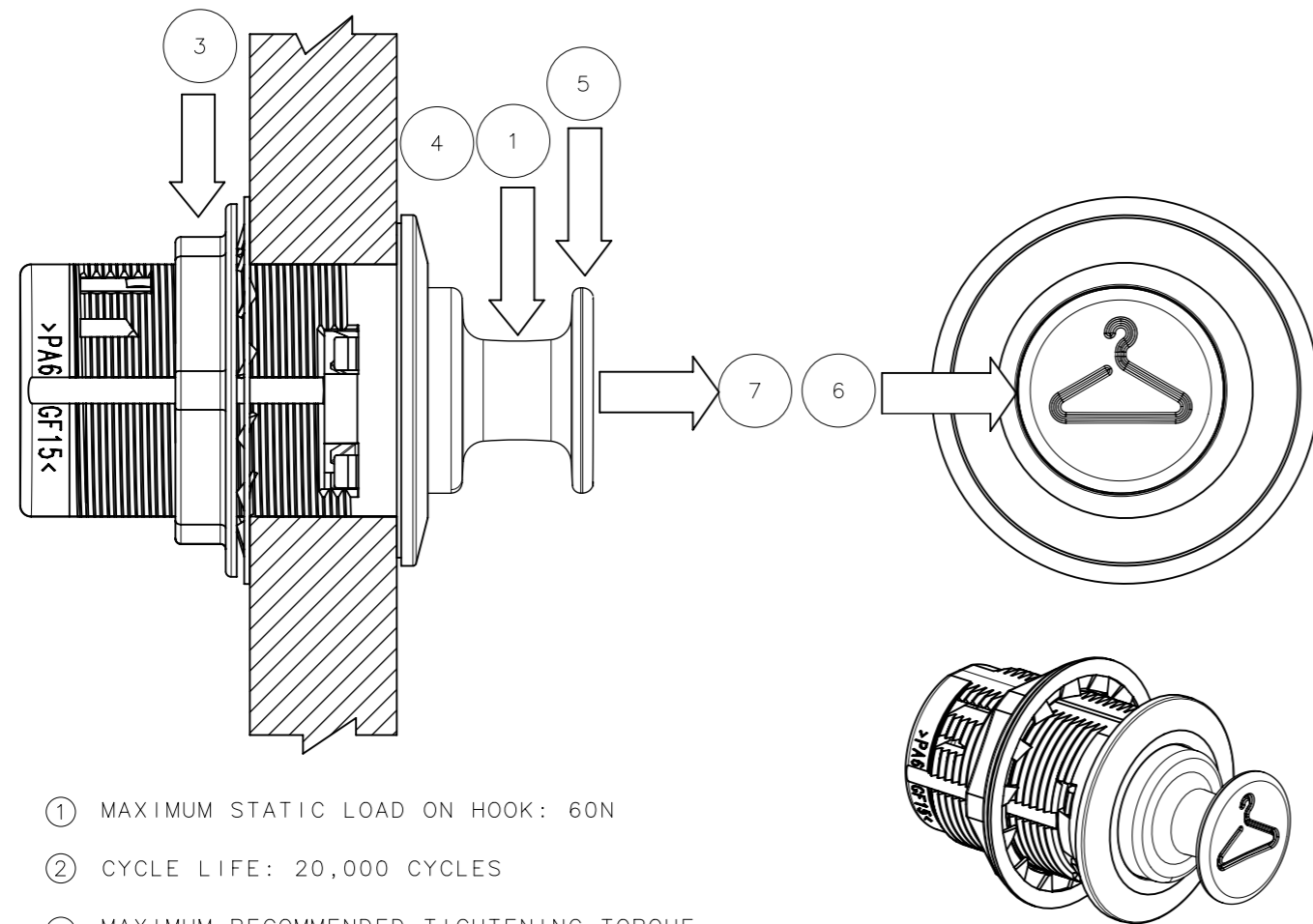


REVISION HISTORY			
REV	DATE	BY	DESCRIPTION
D	07DEC2023	JD/SAK	PRN:P2023-2275

SOUTHCO PERFORMANCE GUIDELINES:

THE PERFORMANCE GUIDELINES SHOWN ON THIS PAGE ARE SUPPLIED AS A GENERAL GUIDE ONLY, AS CONDITIONS VARY WITH EACH APPLICATION AND METHOD OF INSTALLATION, STRENGTH DATA GIVEN IS FOR FAILURE OF THE PRODUCT OR FOR SUFFICIENT DEFORMATION TO MAKE THE PRODUCT INOPERABLE. NO SAFETY FACTOR HAS BEEN APPLIED IT IS RECOMMENDED THAT THE USER REQUEST A PRODUCT SAMPLE FOR TESTING TO DETERMINE THE SUITABILITY OF THE PRODUCT FOR THE PURPOSE INTENDED AND USER'S PARTICULAR APPLICATION.

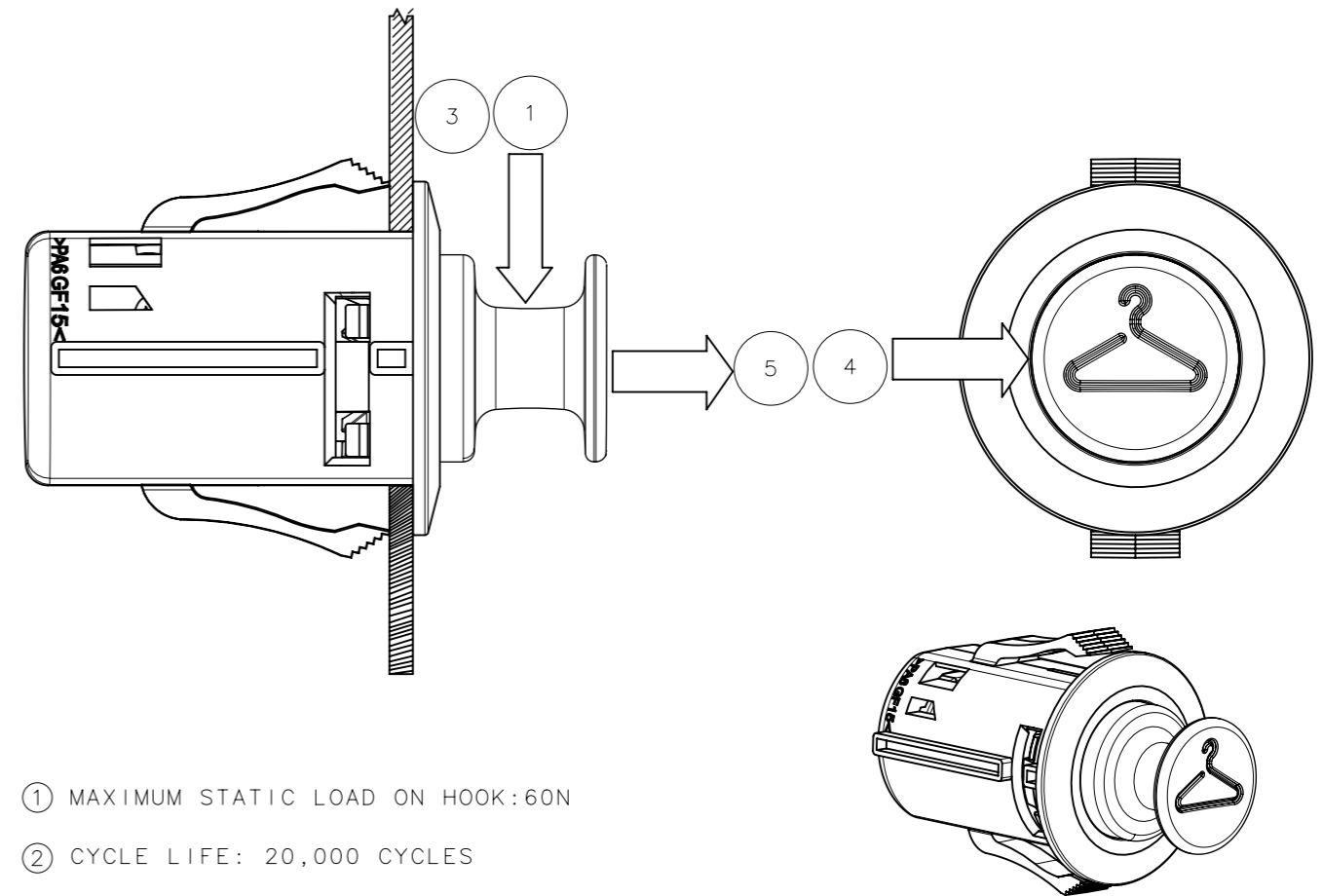
NUT MOUNTED



- ① MAXIMUM STATIC LOAD ON HOOK: 60N
- ② CYCLE LIFE: 20,000 CYCLES
- ③ MAXIMUM RECOMMENDED TIGHTENING TORQUE FOR MOUNTING NUT: 2 Nm (18 IN-LBS)
- ④ AVERAGE ULTIMATE VERTICAL LOAD ON HOOK: 1200N
- ⑤ AVERAGE ULTIMATE VERTICAL LOAD ON HOOK FLANGE: 1000N
- ⑥ AVERAGE ULTIMATE SIDE LOAD ON HOOK FLANGE: 1200N
- ⑦ AVERAGE ULTIMATE TENSILE LOAD ON HOOK FLANGE: 1300N

SCALE 1:1

SNAP IN



- ① MAXIMUM STATIC LOAD ON HOOK: 60N
- ② CYCLE LIFE: 20,000 CYCLES
- ③ AVERAGE ULTIMATE VERTICAL LOAD ON HOOK: 800N
- ④ AVERAGE ULTIMATE SIDE LOAD ON HOOK FLANGE: 800N
- ⑤ AVERAGE ULTIMATE TENSILE LOAD ON HOOK FLANGE: 550N

SCALE 1:1

NOTES:
 1) TEST REFERENCE (SNAP IN): trMP-52334, trMP-52335, trMP-52336, trMP-52337
 2) SEE J-MP-07-1 FOR PART NUMBERS.

THIRD ANGLE PROJECTION	MILLIMETERS [IN]		DESCRIPTION MP COAT HOOK	
ALL DIMENSIONS WITHOUT TOLERANCES ARE FOR REFERENCE ONLY.		SIZE A3	SYSTEM NX	DWG NO. TD-MP-07
PER ASME Y14.5M-2009		DRAWN BY ACH/MJS	DATE 19MAY2009	SCALE 1.5:1
<small>PROPRIETARY ITEM EXCEPT FOR USES EXPRESSLY GRANTED IN WRITING, INFORMATION DISCLOSED HEREON IS CONFIDENTIAL AND ALL RIGHTS, PATENT AND OTHERWISE, ARE RESERVED BY SOUTHCO, INC.</small>		SHEET 1 OF 1		

southco[®]
 CONNECT • CREATE • INNOVATE