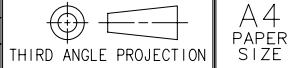
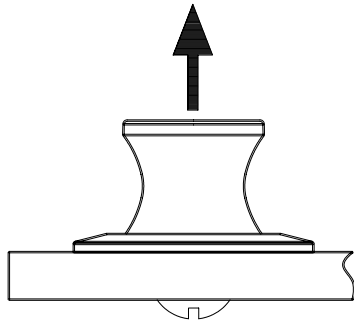


REV	DATE	DRAWN/CHKD	DESCRIPTION						

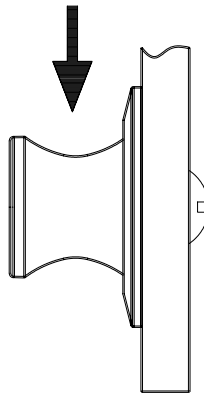


SOUTHCO PERFORMANCE GUIDELINES
 THE PERFORMANCE GUIDELINES SHOWN ON THIS PAGE ARE SUPPLIED AS A GENERAL GUIDE ONLY, AS CONDITIONS VARY WITH EACH APPLICATION AND METHOD OF INSTALLATION. STRENGTH DATA GIVEN IS FOR FAILURE OF THE PRODUCT OR FOR SUFFICIENT DEFORMATION TO MAKE THE PRODUCT INOPERABLE. NO SAFETY FACTOR HAS BEEN APPLIED. IT IS RECOMMENDED THAT THE USER REQUEST A PRODUCT SAMPLE FOR TESTING TO DETERMINE THE SUITABILITY OF THE PRODUCT FOR THE PURPOSE INTENDED AND USER'S PARTICULAR APPLICATION.

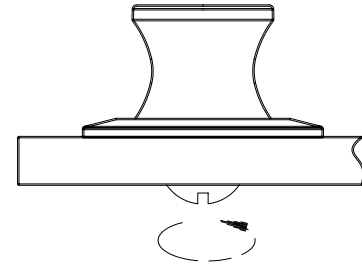
SEE J-MP-06-1 FOR PART NUMBERS



STRAIGHT PULL



SIDE LOAD



SCREW TORQUE

① AVERAGE ULTIMATE LOAD: 7000 N (1575 lbf)

② AVERAGE ULTIMATE LOAD: 2600 N (575 lbf)

RECOMMENDED MAXIMUM TIGHTEN TORQUE: 170 N•cm (15 lbf•in)

NOTE: PULLS MOUNTED USING 8-32 STAINLESS STEEL SCREWS WITH MINIMUM 1/4 THREAD ENGAGEMENT.

FAILURE METHODS:

- ① - PULL AND SCREW DEFORM AND SCREW BREAKS.
- ② - PULL DEFORMS, THREADS IN PULL STRIP, SCREWS BEND.