

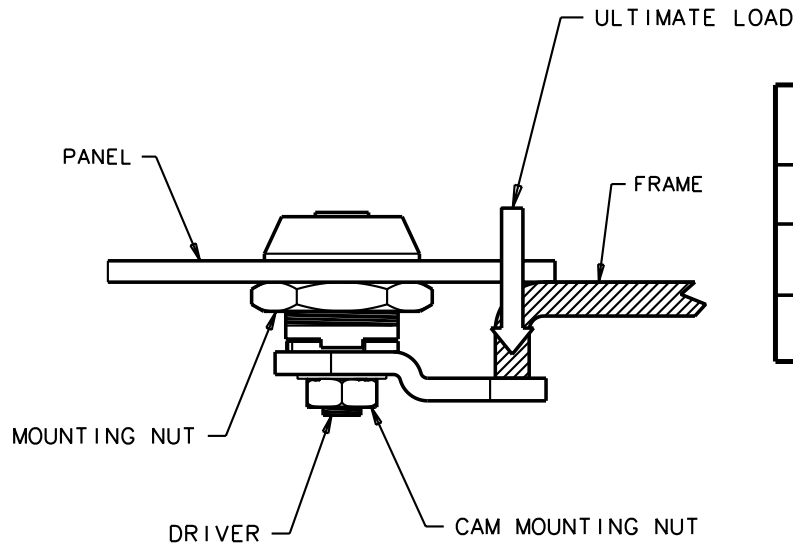
REV	DATE	DRAWN/CHKD	DESCRIPTION						
A	15MAR2007	LCR	ADDED REF: TRPT-01						


  
 THIRD ANGLE PROJECTION


  
 A4 PAPER SIZE

**SOUTHCO PERFORMANCE GUIDELINES**

THE PERFORMANCE GUIDELINES SHOWN ON THIS PAGE ARE SUPPLIED AS A GENERAL GUIDE ONLY, AS CONDITIONS VARY WITH EACH APPLICATION AND METHOD OF INSTALLATION. STRENGTH DATA GIVEN IS FOR FAILURE OF THE PRODUCT OR FOR SUFFICIENT DEFORMATION TO MAKE PRODUCT INOPERABLE. NO SAFETY FACTOR HAS BEEN APPLIED IT IS RECOMMENDED THAT THE USER REQUEST A PRODUCT SAMPLE FOR TESTING TO DETERMINE THE SUITABILITY OF THE PRODUCT FOR THE PURPOSE INTENDED AND USER'S PARTICULAR APPLICATION.



TEST DESCRIPTION	PT-1-XXXXX-XXX
AVERAGE ULTIMATE LOAD ①	645 N
MAXIMUM RECOMMENDED MOUNTING NUT TIGHTENING TORQUE ②	5 N·m
MAXIMUM RECOMMENDED CAM MOUNTING NUT TIGHTENING TORQUE ③	2 N·m

- ① AVERAGE ULTIMATE LOAD CAUSES FAILURE OF THE PRODUCT OR SUFFICIENT DEFORMATION TO MAKE THE PRODUCT INOPERABLE. CAMS USED FOR THIS TEST WERE OF THE "NO HOOK" STYLE WITH OFFSETS OF 0mm, 3.2mm, AND 6.4mm AND WERE 28.6mm LONG.
- ② FAILURE OCCURED WHEN THE THREADS ON THE MOUNTING NUT STRIPPED.
- ③ FAILURE OCCURED WHEN THE DRIVER THREADS STRIPPED.