

REVISION HISTORY			
REV	DATE	BY	DESCRIPTION
B	14JUN2024	IR/DMS	PRN: P2024-1043

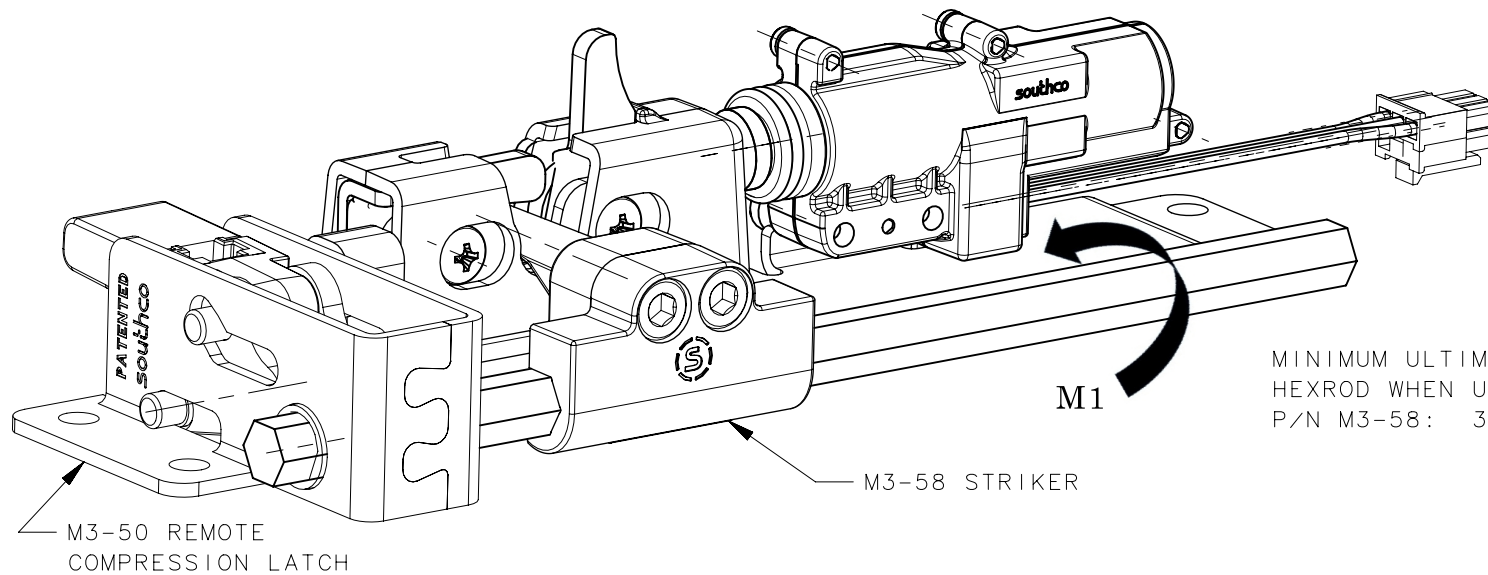
SOUTHCO PERFORMANCE GUIDELINES

THE PERFORMANCE GUIDELINES SHOWN ON THIS PAGE ARE SUPPLIED AS A GENERAL GUIDE ONLY AS CONDITIONS VARY WITH EACH APPLICATION AND METHOD OF INSTALLATION. STRENGTH DATA GIVEN IS FOR FAILURE OF THE PRODUCT OR FOR SUFFICIENT DEFORMATION TO MAKE THE PRODUCT INOPERABLE. NO SAFETY FACTOR HAS BEEN APPLIED. IT IS RECOMMENDED THAT THE USER REQUEST A PRODUCT SAMPLE FOR TESTING TO DETERMINE THE SUITABILITY OF THE PRODUCT FOR THE PURPOSE INTENDED AND USER'S PARTICULAR APPLICATION

MAXIMUM STATIC OR TORQUE IS THE MAXIMUM RECOMMENDED LOAD OR TORQUE AFTER ONE TIME APPLICATION AND REMOVAL OF WHICH THE PRODUCT CONTINUES TO FUNCTION PROPERLY.

MINIMUM ULTIMATE LOAD OR TORQUE IS THE LOAD OR TORQUE THAT CAUSES FAILURE OR EXCESSIVE DEFORMATION WHICH RENDERS THE PRODUCT INOPERABLE.

PERFORMANCE VALUES FOR R4-05-20-4EB1-20
SEE J-R4-05-2B-4EC1



MINIMUM ULTIMATE TORQUE (M1) ON
HEX ROD WHEN USED WITH SOUTHCO
P/N M3-58: 36.3 Nm (26.8 FT-LBS)

CYCLE LIFE, NO LOAD ON CAM

TEMPERATURE	CYCLE LIFE
-40°	5,000
AMBIENT, 25° C (77° F)	10,000
80° C (176° F)	5,000

REF: trR4-51827

CPB NUMBER 2020-0061	THIRD ANGLE PROJECTION			 CONNECT • CREATE • INNOVATE	
	MILLIMETERS [IN]				
SURFACE AREA XXXXXmm ²	TOLERANCES UNLESS OTHERWISE NOTED	DESCRIPTION R4-05 PUSH TO CLOSE LATCH, HEX ROD BLOCKER, ELECTRONICALLY ACTUATED			
VOLUME XXXXXmm ³	UP TO 0.5 ±0.05	SIZE A4	SYSTEM NX	DWG NO. TD-R4-05-2B-4EC1-J	
PROPRIETARY ITEM EXCEPT FOR USES EXPRESSLY GRANTED IN WRITING, INFORMATION DISCLOSED HEREON IS CONFIDENTIAL AND ALL RIGHTS, PATENT AND OTHERWISE, ARE RESERVED BY SOUTHCO, INC.	OVER 0.5 UP TO 6 ±0.1	DRAWN BY IR/	DATE 06AUG2021	SCALE NONE	SHEET 1 OF 1
	OVER 6 UP TO 30 ±0.2				
	OVER 30 ±0.3				
	ANGLES ±1°				
	PER ASME Y14.5M-2009				