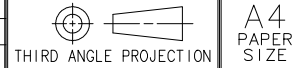


REV	DATE	DRAWN/CHKD	DESCRIPTION
B	16JUN2006	MJS/AS	UPDATED TENSILE FORCE
C	30AUG2010	ACH	PRN: P2010-0915



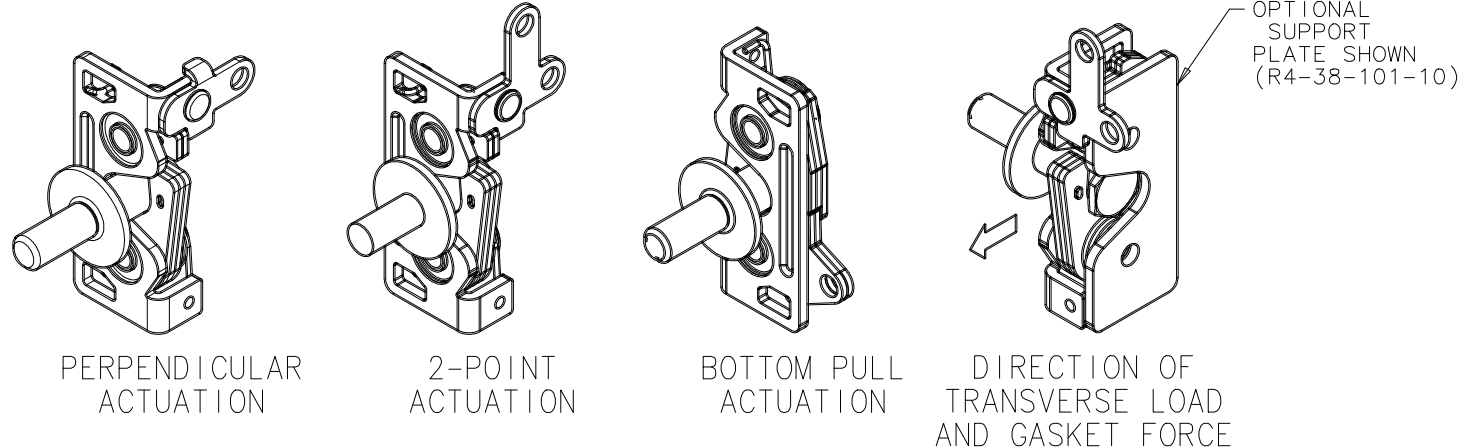
SOUTHCO PERFORMANCE GUIDELINES

THE PERFORMANCE GUIDELINES SHOWN ON THIS PAGE ARE SUPPLIED AS A GENERAL GUIDE ONLY, AS CONDITIONS VARY WITH EACH APPLICATION AND METHOD OF INSTALLATION. STRENGTH DATA GIVEN IS FOR FAILURE OF THE PRODUCT OR FOR SUFFICIENT DEFORMATION TO MAKE THE PRODUCT INOPERABLE. NO SAFETY FACTOR HAS BEEN APPLIED. IT IS RECOMMENDED THAT THE USER REQUEST A PRODUCT SAMPLE FOR TESTING TO DETERMINE THE SUITABILITY OF THE PRODUCT FOR THE PURPOSE INTENDED AND USER'S PARTICULAR APPLICATION.

NOTE:

SOUTHCO LATCHES USED IN A PASSENGER RESTRAINT SYSTEM MUST BE FULLY TESTED IN THE DOOR SYSTEM.

SOUTHCO R4-30-XY-Z01-10 LATCHES MAY BE USED IN A CERTIFIED FMVSS 206 DOOR SYSTEM ONLY WHEN USED WITH A SOUTHCO STRIKER BOLT R4-90-3XX-10.



Performance values for R4-30-XY-Z01-10

GASKET FORCE	AVERAGE FORCE REQUIRED TO ACTUATE (OPEN) LATCH (R4-30-XY-101-10 ONLY)	CYCLE LIFE
200 N (45 lb.)	45.6 N (10.3 lb.)	75,000

1. Actuation force tests and cycle tests were performed with part number R4-30-30-101-10.
2. Average tensile force before latch fracture or striker pull-out as per FMVSS 206 standard, revision TP-206-07: Transverse Load Testing:
 - a. 2400 lbs
 - b. 3200 lbs w/ support plate (R4-38-101-10)
3. Cycle and tensile tests were performed with the striker at the nominal lateral position (zero misalignment) for 75,000 cycles.