

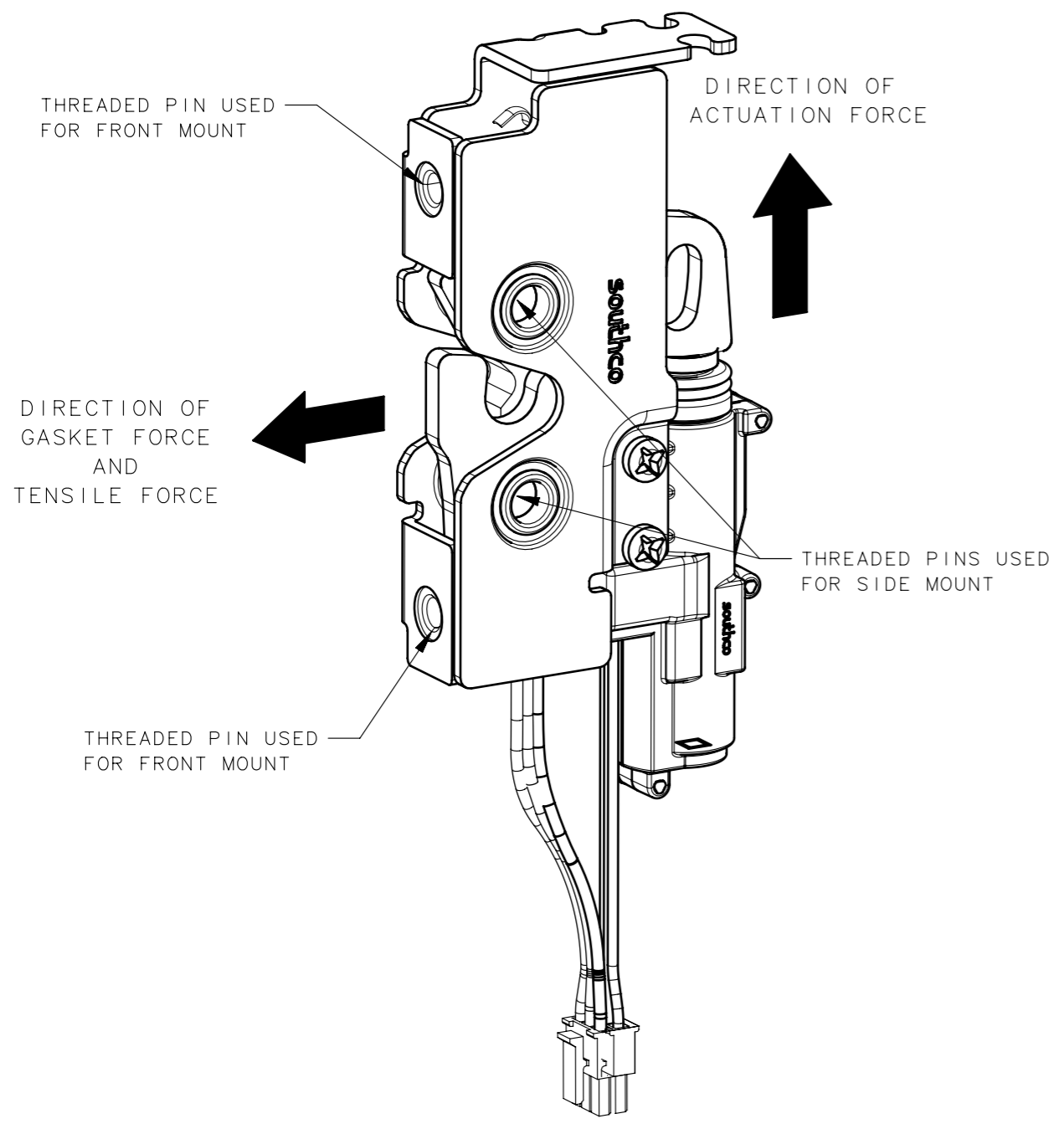
REVISION HISTORY			
REV	DATE	BY	DESCRIPTION
D	20AUG2024	CAD/ASM	PRN: P2024-1428

SOUTHCO PERFORMANCE GUIDELINES

THE PERFORMANCE GUIDELINES SHOWN ON THIS PAGE ARE SUPPLIED AS A GENERAL GUIDE ONLY, AS CONDITIONS VARY WITH EACH APPLICATION AND METHOD OF INSTALLATION STRENGTH DATA GIVEN IS FOR FAILURE OF THE PRODUCT OR FOR SUFFICIENT DEFORMATION TO MAKE THE PRODUCT INOPERABLE. NO SAFETY FACTOR HAS BEEN APPLIED. IT IS RECOMMENDED THAT THE USER REQUEST A PRODUCT SAMPLE FOR TESTING TO DETERMINE THE SUITABILITY OF THE PRODUCT FOR THE PURPOSE INTENDED AND USER'S PARTICULAR APPLICATION.

LATCH TYPE	AVERAGE ULTIMATE TENSILE LOAD LATCH WITHOUT STRIKER (SEE NOTE 1)	AVERAGE FORCE REQUIRED TO ACTUATE (OPEN) LATCH OVER CYCLES LIFE (SEE NOTE 2)	CYCLE LIFE (SEE NOTE 2)
MECHANICAL SIDE MOUNT KICK OUT SPRING	9000 N (2023 LBF)	14 N (3.2 LBF)	100,000 WITH 200N (50 LBF) BUMPER LOAD
MECHANICAL FRONT MOUNT KICK OUT SPRING	6000 N (1349 LBF)		59,000 WITH 200N (50 LBF) BUMPER LOAD
ELECTRICAL SIDE MOUNT KICK OUT SPRING	9000 N (2023 LBF)	-	50,000 WITH 200N (50 LBF) BUMPER LOAD
ELECTRICAL SIDE MOUNT PULL TO OPEN	9000 N (2023 LBF)	-	100,000 WITH NO BUMPER LOAD

- TENSILE TESTING PERFORMED WITH 9 mm HARDENED PIN AT NOMINAL LATERAL POSITION (ZERO MISALIGNMENT) WITH PART NUMBERS:
R4-25-220-5006-10 SIDE MOUNT
R4-25-230-5006-10 FRONT MOUNT
- CYCLE AND ACTUATION FORCE TESTING PERFORMED WITH PART NUMBERS:
R4-25-220-51B3-10 AND R4-25-220-51B6-10 MECHANICAL SIDE MOUNT (KICK OUT SPRING)
R4-25-230-5006-10 MECHANICAL FRONT MOUNT (KICK OUT SPRING)
R4-25-220-51B6-10 ELECTRICAL SIDE MOUNT (KICK OUT SPRING)
R4-25-221-51B3-10 ELECTRICAL SIDE MOUNT (PULL TO OPEN)



R4-25-230-51B7-10 IS SHOWN

CPB NUMBER 2019-0330	THIRD ANGLE PROJECTION	southco [®] CONNECT • CREATE • INNOVATE	
SURFACE AREA	MILLIMETERS [IN]		
VOLUME	TOLERANCES UNLESS OTHERWISE NOTED	DESCRIPTION R4-25 ROTARY LATCH	
PROPRIETARY ITEM <small>EXCEPT FOR USES EXPRESSLY GRANTED IN WRITING, INFORMATION DISCLOSED HEREON IS CONFIDENTIAL AND ALL RIGHTS, PATENT AND OTHERWISE, ARE RESERVED BY SOUTHCO, INC.</small>	ALL DIMENSIONS WITHOUT TOLERANCES ARE FOR REFERENCE ONLY.	SIZE A3	SYSTEM NX
PER ASME Y14.5M-2009	DRAWN BY CAD	DATE 16MAY2023	DWG NO. TD-R4-25-J
		SCALE 1:1	SHEET 1 OF 1