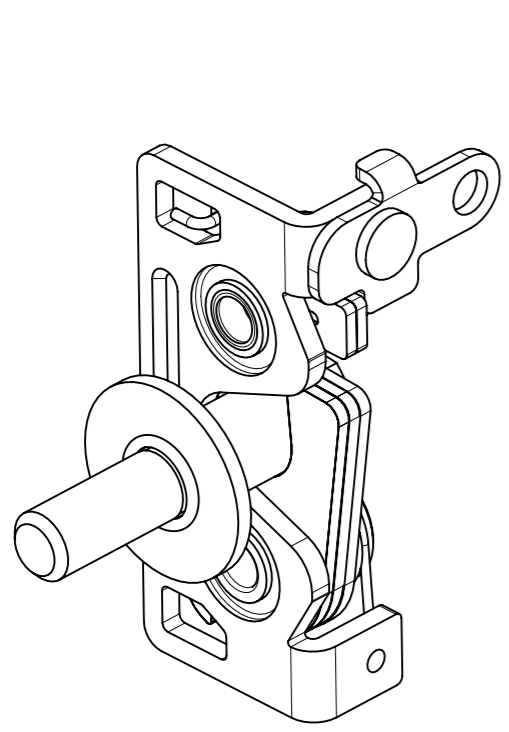


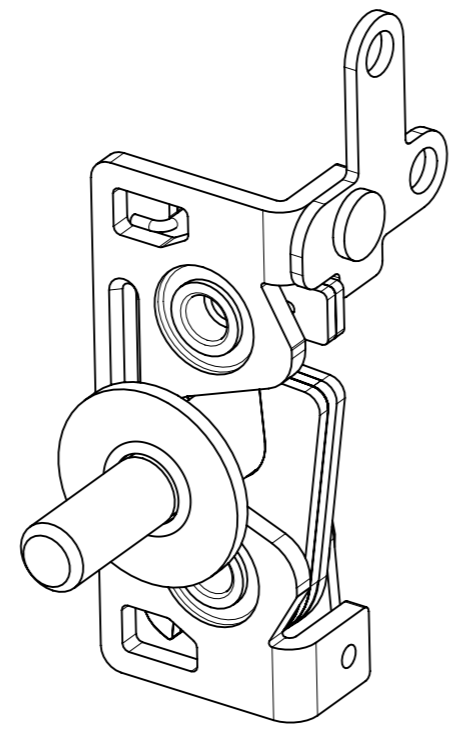
REVISION HISTORY			
REV	DATE	BY	DESCRIPTION
A	04FEB2021	MBT/DMS	PRN: P2021-0245

SOUTHCO PERFORMANCE GUIDELINES

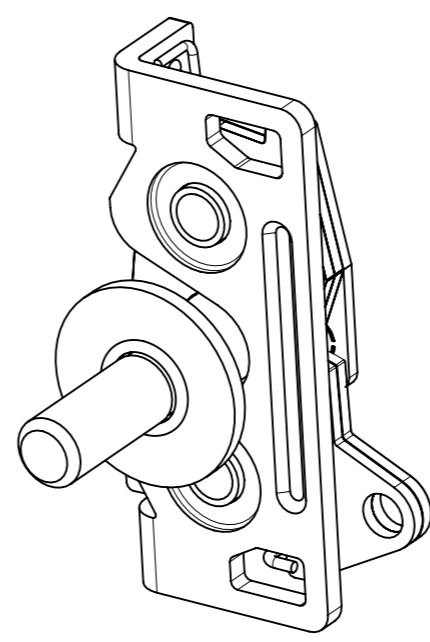
THE PERFORMANCE GUIDELINES SHOWN ON THIS PAGE ARE SUPPLIED AS A GENERAL GUIDE ONLY, AS CONDITIONS VARY WITH EACH APPLICATION AND METHOD OF INSTALLATION. STRENGTH DATA GIVEN IS FOR FAILURE OF THE PRODUCT OR FOR SUFFICIENT DEFORMATION TO MAKE THE PRODUCT INOPERABLE. NO SAFETY FACTOR HAS BEEN APPLIED. IT IS RECOMMENDED THAT THE USER REQUEST A PRODUCT SAMPLE FOR TESTING TO DETERMINE THE SUITABILITY OF THE PRODUCT FOR THE PURPOSE INTENDED AND USER'S PARTICULAR APPLICATION.



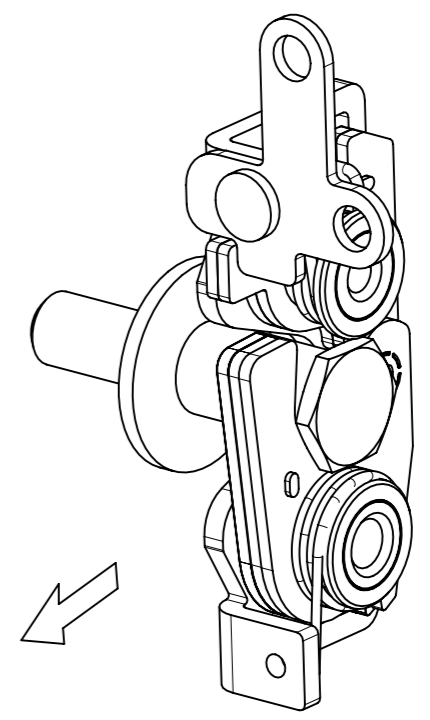
PERPENDICULAR ACTUATION



2-POINT ACTUATION



BOTTOM ACTUATION



DIRECTION OF TRANSVERSE LOAD AND GASKET FORCE

PERFORMANCE VALUES FOR PART NUMBERS
R4-30-10-501-20 AND R4-30-20-501-20.

GASKET FORCE	AVERAGE FORCE REQUIRED TO ACTUATE (OPEN) LATCH	AVERAGE TRANSVERSE TENSILE FORCE BEFORE LATCH FRACTURE OR STRIKER PULL-OUT	CYCLE LIFE
200 n (45 LB)	13.33 N (9.74 lbf)	6000 N (1348 lbf)	40,000

	THIRD ANGLE PROJECTION	southco [®] CONNECT • CREATE • INNOVATE	
	MILLIMETERS [IN]	DESCRIPTION R4-30 SINGLE STAGE ROTARY LATCH, STAINLESS STEEL	
	TOLERANCES UNLESS OTHERWISE NOTED		
	ALL DIMENSIONS WITHOUT TOLERANCES ARE FOR REFERENCE ONLY.	SIZE A3	SYSTEM NX
	PER ASME Y14.5M-1994	DWG NO. TD-R4-3-1-J	DATE 04FEB2021
		DRAWN BY MBT/DMS	SCALE NTS
			SHEET 1 OF 1

REF: trR4-42362