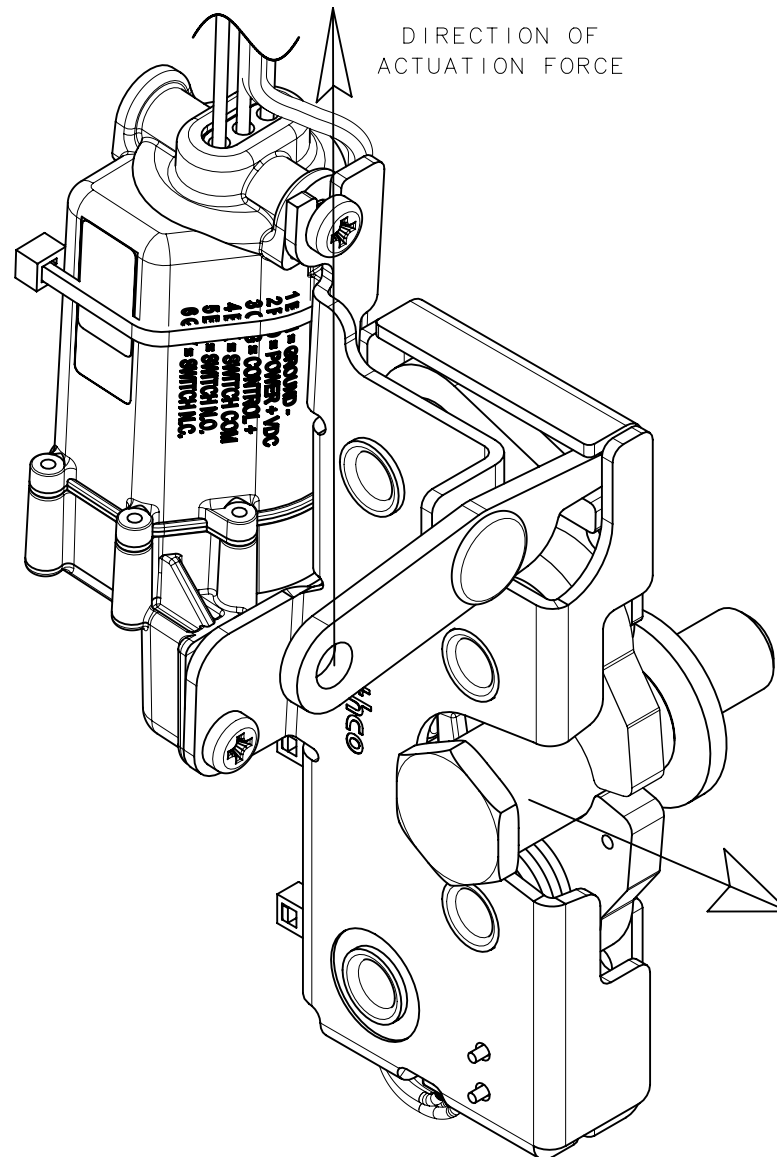


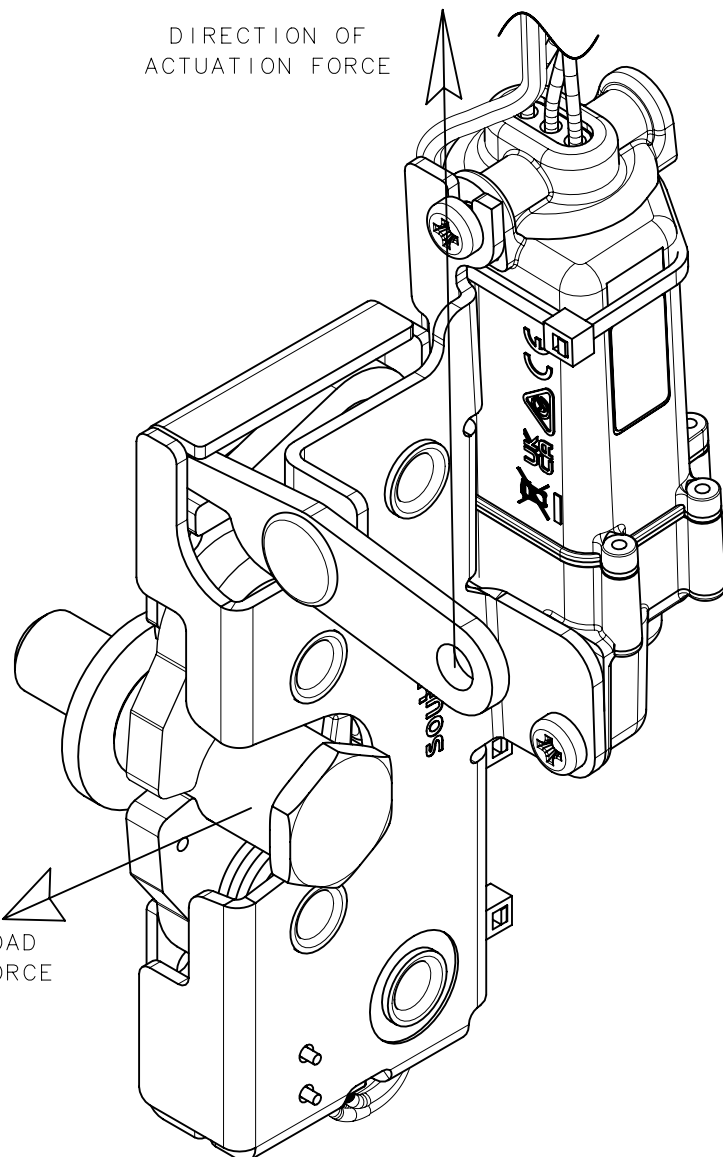
SOUTHCO PERFORMANCE GUIDELINES

THE PERFORMANCE GUIDELINES SHOWN ON THIS PAGE ARE SUPPLIED AS A GENERAL GUIDE ONLY, AS CONDITIONS VARY WITH EACH APPLICATION AND METHOD OF INSTALATION. STRENGHT DATA GIVEN IS FOR FAILURE OF THE PRODUCT OR FOR SUFFICIENT DEFORMATION TO MAKE THE PRODUCT INOPERABLE. NO SAFETY FACTOR HAS BEEN APPLIED. IT IS RECOMMENDED THAT THE USER REQUEST A PRODUCT SAMPLE FOR TESTING TO DETERMINE THE SUITABILITY OF THE PRODUCT FOR THE PURPOSE INTENDED AND USER'S PARTICULAR APPLICATION .

REVISION HISTORY			
REV	DATE	BY	DESCRIPTION
B	17JUL2024	CRM/DMS	PRN: P2024-1239



R4-50-4X-1EX1-10
LEFT HAND



R4-50-3X-1EX1-10
RIGHT HAND

Performance values for R4-50-XX-1EX1-10

GASKET FORCE	AVERAGE FORCE REQUIRED TO ACTUATE (OPEN) LATCH OVER 230k CYCLES * SEE NOTES 3 AND 6	AVERAGE TRANSVERSE LOAD LATCH WITHOUT STRIKER	AVERAGE TRANSVERSE LOAD WITH STRIKER * SEE NOTE 5	CYCLE LIFE * SEE NOTE 3
222 N (50 LBF)	45 N (9.9 LBF)	13000 N (2922 LBF)	9800 N (2203 LBF)	230000

NOTES:

- ACTUATION FORCE TESTS AND CYCLE TESTS WERE PERFORMED WITH PART NUMBERS R4-50-30-1EB1-10 AND R4-50-40-1EB1-10.
- AVERAGE TENSILE FORCE BEFORE LATCH FAILURE OR STRIKER PULL-OUT COMPLIES WITH FMVSS 206 STANDARD, REVISION TP-206-06: TRANSVERSE LOAD TESTING.
- CYCLE AND TENSILE TESTS WERE PERFORMED WITH THE STRIKER AT THE NOMINAL LATERAL POSITION.
- SINGLE STAGE LATCHES CANNOT BE USED FOR FMVSS COMPLIANT APPLICATIONS
- TEST COMPLETED USING SOUTHCO STRIKER R4-90-4101-10
- FORCE MEASURED VIA MECHANICAL RELEASE LEVER PULLED PARALLEL TO MOUNTING FACE.
- SOUTHCO LATCHES USED IN A PASSENGER RESTRAINT SYSTEM MUST BE FULLY TESTED IN THE DOOR SYSTEM.
- SOUTHCO R4-50-XX-1X1-10 TWO STAGE LATCHES MAY BE USED IN A CERTIFIED FMVSS 206 DOOR SYSTEM ONLY WHEN USED WITH A SOUTHCO DOOR STRIKER BOLTS. SEE J-R4-90-400 FOR DETAILS.
- MAXIMUM WORKING LOAD THAT THE LATCH CAN BE RELEASED (OPENED) ELECTRONICALLY (DIRECTION OF TRANSVERSE LOAD AND GASKET FORCE) ONE TIME IS 1557 N (350 LBF) AT 12VDC.

REF.: trR4-1250857

THIRD ANGLE PROJECTION		southco [®] CONNECT · CREATE · INNOVATE	
MILLIMETERS [IN]			
SURFACE AREA		DESCRIPTION HEAVY DUTY ROTARY LATCH WITH ELECTRONIC ACTUATOR	
VOLUME			
PROPRIETARY ITEM		SIZE B	SYSTEM NX
EXCEPT FOR USES EXPRESSLY GRANTED IN WRITING, INFORMATION DISCLOSED HEREON IS CONFIDENTIAL AND ALL RIGHTS, PATENT AND OTHERWISE, ARE RESERVED BY SOUTHCO, INC.		DWG NO. TD-R4-50-1E1	DATE 09FEB2024
PER ASME Y14.5M-2009		DRAWN BY DCS/DGJ	SCALE 1:1
		SHEET 1 OF 1	