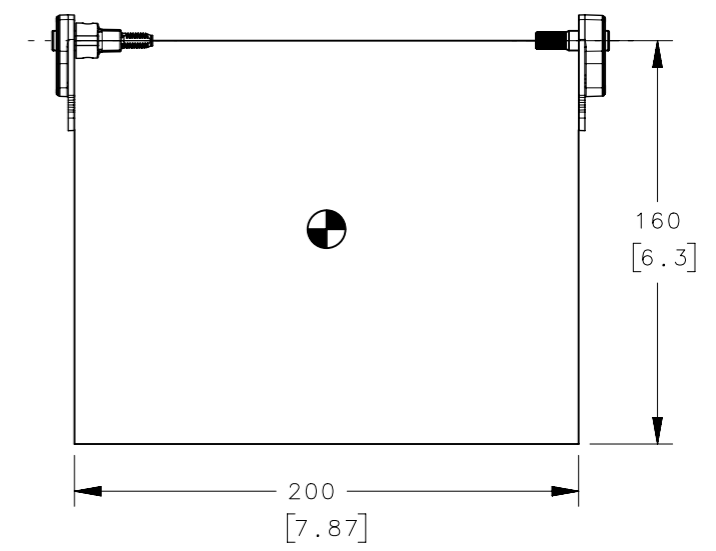
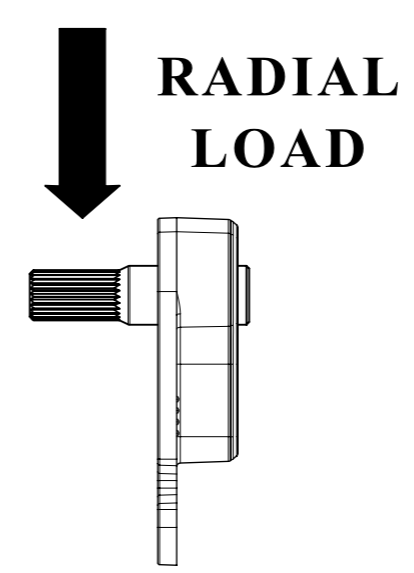
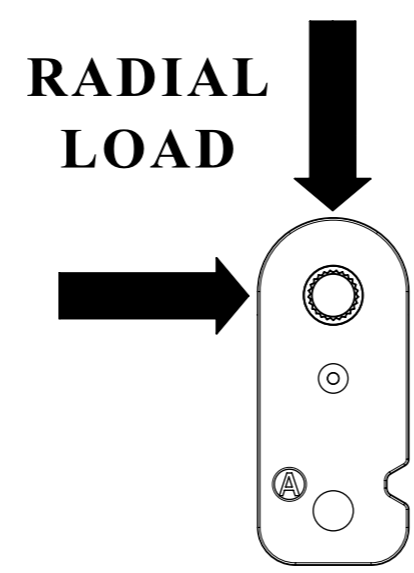
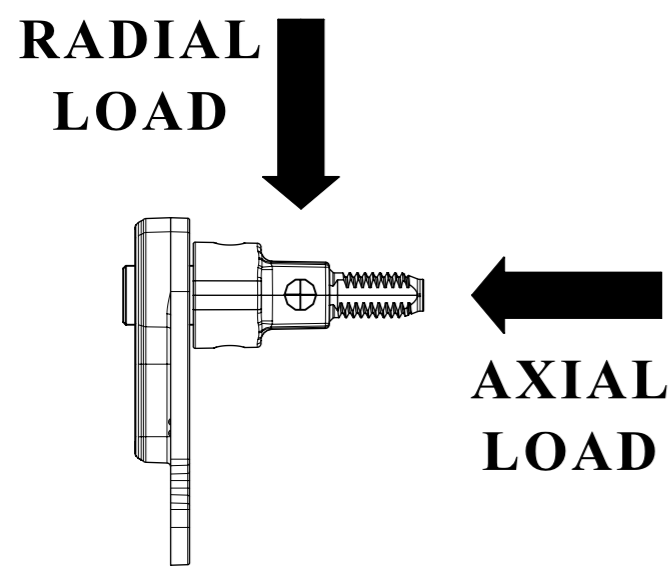


REVISION HISTORY			
REV	DATE	BY	DESCRIPTION
B	19OCT2023	CMS/MTH	PRN: P2023-1915

SOUTHCO PERFORMANCE GUIDELINES:
 THE PERFORMANCE GUIDELINES SHOWN ON THIS DRAWING ARE SUPPLIED AS A GENERAL GUIDE ONLY, AS CONDITIONS VARY WITHIN EACH APPLICATION AND METHOD OF INSTALLATION. STRENGTH DATA GIVEN IS FOR FAILURE OF THE PRODUCT OR FOR SUFFICIENT DEFORMATION TO MAKE THE PRODUCT INOPERABLE. NO SAFETY FACTOR HAS BEEN APPLIED. IT IS RECOMMENDED THAT THE USER REQUEST A PRODUCT SAMPLE FOR TESTING TO DETERMINE THE SUITABILITY OF THE PRODUCT FOR THE PURPOSE INTENDED AND THE USER'S PARTICULAR APPLICATION.



CYCLE TEST SET-UP (HORIZONTAL HINGE AXIS)

PART NUMBERS		MAXIMUM STATIC RADIAL LOAD N / [lb] (Note 1)	MAXIMUM STATIC AXIAL LOAD N / [lb] (Note 1)	DYNAMIC TORQUE N*m (REFERENCE) SEE J-ST-20L	CYCLE LIFE 0.54 kg [1.2 lbs] (NOTE 2)
X = TYPE A OR TYPE J	Y = TYPE B OR TYPE K				
ST-20L-100FX-33	ST-20L-100FY-33	400 / [90]	200 / [45]	1.15	20,000
ST-20L-100RX-33	ST-20L-100RY-33			2.20	
ST-20L-200FX-33	ST-20L-200FY-33			2.00	
ST-20L-200RX-33	ST-20L-200RY-33			3.45	
ST-20L-200SX-33	ST-20L-200SY-33			4.45	
ST-20L-300FX-33	ST-20L-300FY-33			3.95	
ST-20L-300RX-33	ST-20L-300RY-33				
ST-20L-400FX-33	ST-20L-400FY-33				
ST-20L-400RX-33	ST-20L-400RY-33				
ST-20L-400SX-33	ST-20L-400SY-33				

- NOTES:
- AXIAL AND RADIAL LOADS APPLIED ONE TIME TO A SINGLE HINGE WITHOUT DEGRADATION OF COMPONENTS.
 - HINGE CYCLE TEST PERFORMED AT AMBIENT TEMPERATURE USING A 0.54 kg (1.2 lbm) TEST DOOR. ONE CYCLE IS CLOSED TO OPEN POSITION AT 120 DEG. AND RETURN. CYCLE RATE IS 20 SECONDS PER CYCLE.
 - SOUTHCO PRODUCT TESTING REPORTS USED FOR GENERATING THIS PRODUCT DATA:
 trCT-45831, trCT-46920, trCT-47319, trCT-47320, trCT-50341, trCT-50342, trCT-52592, trCT-52593, trST-1123051, trST-1124701, trST-1124717, trST-1124737, trST-47425, trST-47534, trST-48461, trST-48462, trST-48463, trST-48464, trST-48465, and trST-48466

CPB NUMBER 2019-0663	THIRD ANGLE PROJECTION	southco [®] CONNECT • CREATE • INNOVATE
	MILLIMETERS [IN]	
SURFACE AREA	TOLERANCES UNLESS OTHERWISE NOTED	DESCRIPTION HINGE & CONTROLLED MOTION DEVICE LOW PROFILE CONSTANT TORQUE HINGE
VOLUME		SIZE SYSTEM A3 NX
PROPRIETARY ITEM EXCEPT FOR USES EXPRESSLY GRANTED IN WRITING, INFORMATION DISCLOSED HEREON IS CONFIDENTIAL AND ALL RIGHTS, PATENT AND OTHERWISE, ARE RESERVED BY SOUTHCO, INC.	PER ASME Y14.5M-2009	DWG NO. TD-ST-20L
	DRAWN BY LK1	DATE 05JUL2022
		SCALE 1:1
		SHEET 1 OF 1