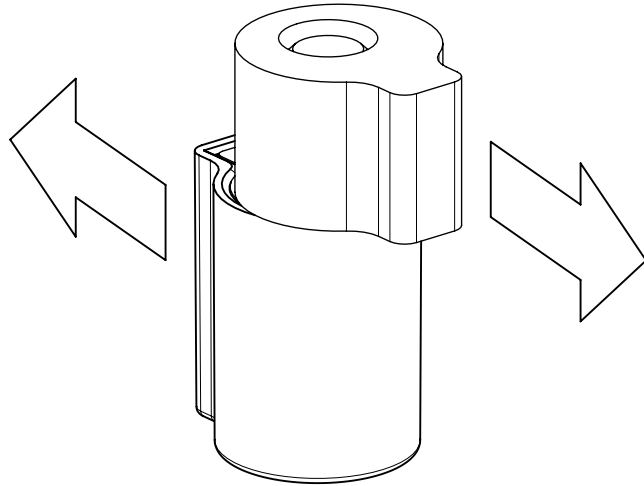
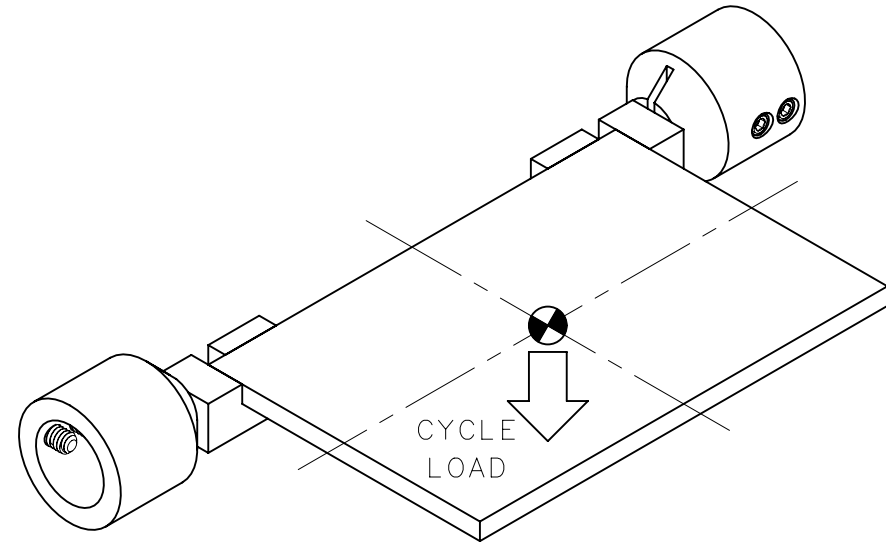


SOUTHCO PERFORMANCE GUIDELINES:  
 THE PERFORMANCE GUIDELINES SHOWN ON THIS PAGE ARE SUPPLIED AS A  
 GENERAL GUIDE ONLY, AS CONDITIONS VARY WITH EACH APPLICATION AND METHOD  
 OF INSTALLATION, STRENGTH DATA GIVEN IS FOR FAILURE OF THE PRODUCT OR  
 FOR SUFFICIENT DEFORMATION TO MAKE THE PRODUCT INOPERABLE. NO SAFETY FACTOR  
 HAS BEEN APPLIED IT IS RECOMMENDED THAT THE USER REQUEST A PRODUCT SAMPLE  
 FOR TESTING TO DETERMINE THE SUITABILITY OF THE PRODUCT FOR THE PURPOSE INTENDED  
 AND USER'S PARTICULAR APPLICATION.

REVISION HISTORY			
REV	DATE	BY	DESCRIPTION
A	07AUG2017	CDW/MJS	PRN: P2017-1954



RADIAL LOAD



CYCLE TEST SET-UP

SCALE 1:2

NOTES:

- ① RADIAL LOADS APPLIED ONE TIME TO HINGE WITHOUT DEGRADATION OF PERFORMANCE.
- ② ONE CYCLE = CLOSED POSITION TO OPEN POSITION AT 180° PLUS RETURN TO INITIAL CLOSED POSITION AT AMBIENT TEMPERATURE.

ST-5A-10S-33	223 [50]	0.113±0.023 [1.0±0.20]	20,000
ST-5A-16S-33		0.181±0.036 [1.6±0.32]	
ST-5A-23S-33		0.260±0.052 [2.3±0.46]	
ST-5A-30S-33		0.339±0.068 [3.0±0.60]	
PART NUMBER	RADIAL LOAD N [lbf] ①	STATIC TORQUE N-m [in-lbf]	CYCLE LIFE ②
	THIRD ANGLE PROJECTION	 CONNECT • CREATE • INNOVATE	
	MILLIMETERS [IN]		
	TOLERANCES UNLESS OTHERWISE NOTED	DESCRIPTION	
	UP TO 0.5 ±0.05	ST-5A HINGE	
	OVER 0.5 UP TO 6 ±0.1	SIZE A4	SYSTEM NX
	OVER 6 UP TO 30 ±0.2	DWG NO. TD-ST-5-J	
	OVER 30 ±0.3	DRAWN BY CDW/	DATE 10MAY2016
	ANGLES ±1°	SCALE 5:1	SHEET 1 OF 1
<small>PROPRIETARY ITEM          EXCEPT FOR USES EXPRESSLY GRANTED          IN WRITING, INFORMATION DISCLOSED          HEREON IS CONFIDENTIAL AND ALL          RIGHTS, PATENT AND OTHERWISE,          ARE RESERVED BY SOUTHCO, INC.</small>	PER ASME Y14.5M-1994		

REF: trST-30179