



**Display
Mounts**

Positioning Technology

The Southco Advantage

Southco's proprietary Positioning Technology features integrated constant torque, providing the exact operating effort required to position displays. Engineers can define the desired user effort and know that this effort will be maintained over the life of the product.

FEATURES

Integrated constant torque



Precise operating efforts



Minimum 20K cycle life



Rigorously tested design



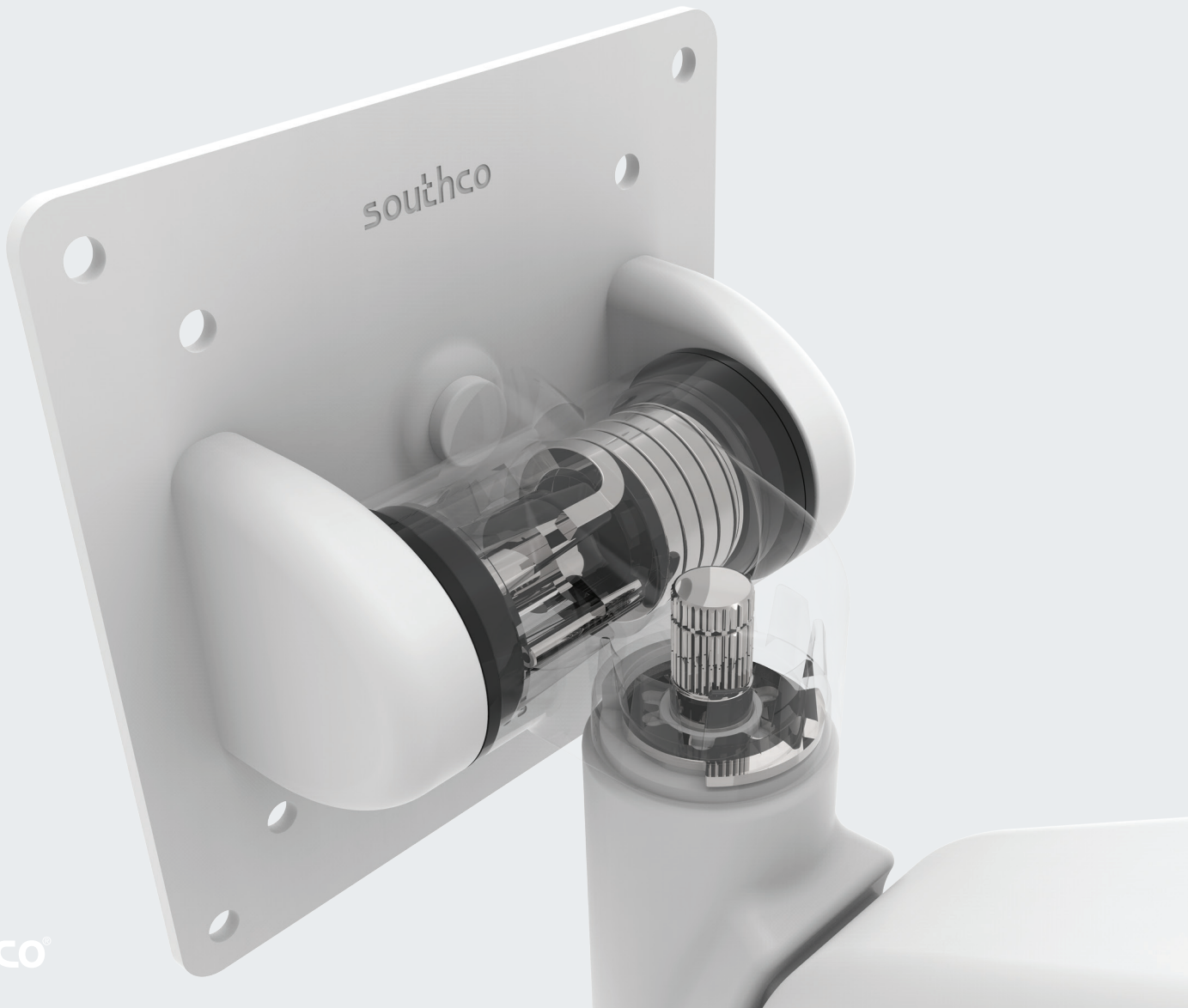
BENEFITS

Secure positioning even under vibration

One-handed operation with a smooth, high quality feel

Long, maintenance-free life

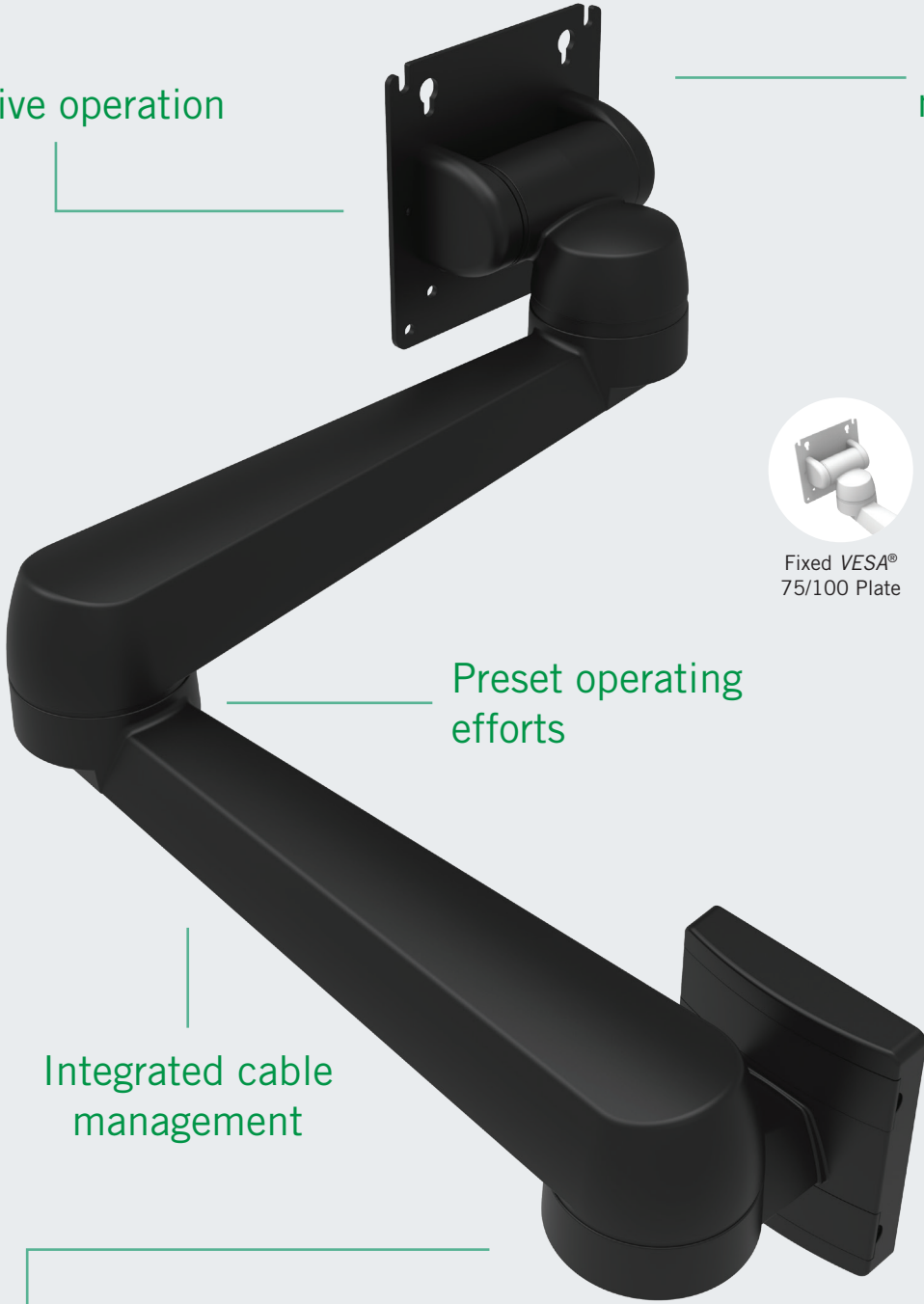
Reliable performance in rugged environments



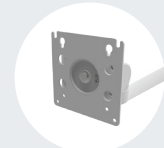
Overview

Display Mounts

Intuitive operation



Multiple device mounting options:



Rotating VESA® 75/100 Plate



Keyboard Tray



Fixed VESA® 75/100 Plate



Universal Device Mount



Quick Release Standard VESA® 75/100 Plate

Preset operating efforts

Integrated cable management

Easily mounted to any surface:

Ships fully assembled



Quick Release Standard Rail Mount



Wall Mount with Hidden Hardware



Table Mount with Hidden Hardware



Pole Mount



Front Fastened Wall Mount

Design Considerations

When selecting the appropriate Positioning Technology Display Mount for an application, there are a variety of design factors that must be considered, including operating environment, applied force and desired motion.



PHYSICAL REQUIREMENTS

- What are the load requirements?
- Does it need to withstand high vibration?
- Are there environmental concerns such as water, chemical or UV exposure?



SERVICE REQUIREMENTS

- How many cycles will be required over the life of the product?
- How will it be serviced or maintained?
- Are there any safety requirements that must be met?



MOUNTING OPTIONS

- Where will the device be mounted?
- What type of mounting options are available?
- Does it need to be compatible with VESA® standard displays?



INDUSTRIAL DESIGN

- What type of styling is desired?
- Are there requirements for cleanability?



CABLE MANAGEMENT

- Is there a need for integrated cable management?
- How often will cables be rerouted or replaced?



OPERATING FORCE

- What is the desired user force needed to lift or position an object?





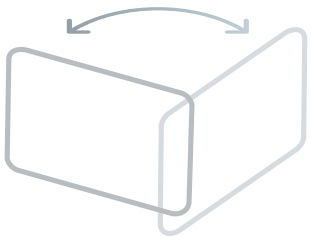
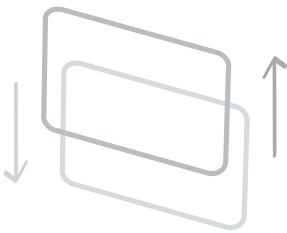
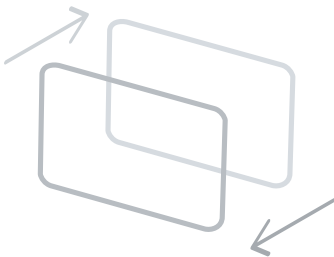
CENTER OF GRAVITY

- Where is the display's center of gravity in relation to its mounting point?



Range of Motion

Southco Display Mounts deliver smooth, secure positioning for optimal ergonomics. Display position can be easily and intuitively adjusted to allow the user to compensate for individual height differences or glare from light sources.

ORIENTATION

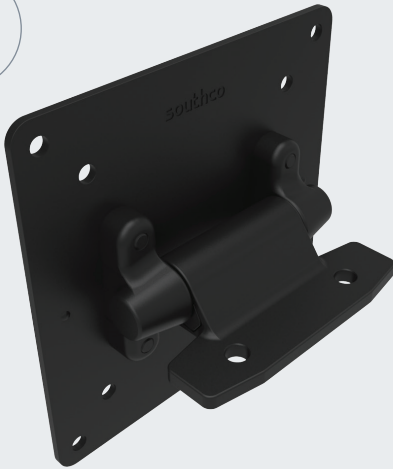
 <p>Tilt</p> <p>Tilts to adjust to end user height and lighting preferences</p>	 <p>Swivel</p> <p>Adds swivel motion for left to right positioning</p>	 <p>Swing</p> <p>Adds swing feature that allows the display to be folded away for storage</p>
 <p>Lift</p> <p>Adds lifting motion for up and down positioning in addition to tilt, swivel and swing</p>	 <p>Extend</p> <p>Provides an extension to the swing feature for increased range of motion</p>	

TORQUE TYPE

 <p>Constant Torque Tilt</p> <p>Provides consistent operating efforts and the most secure hold for applications with vibration or shock loading</p>	 <p>Counterbalanced Tilt</p> <p>Integrated counterbalance ensures easy operation by minimizing user efforts, even when repositioning heavy displays</p>
-----------------------------------------------------------------------------------------------------------------------------------------------------------------------------------------------------------------------------------------------	-----------------------------------------------------------------------------------------------------------------------------------------------------------------------------------------------------------------------------------------------------

Tilt

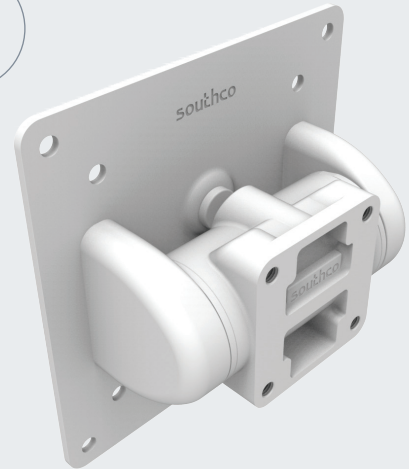
Tilts to adjust to end user height and lighting preferences



AV-D25 T Series

Where holding is more important than ease of positioning

- Constant Torque
- Front Mount



AV-D30 T Series

Where a more refined feel or clean, stylish appearance is required

- Constant Torque, Counterbalance
- Rear Mount

Tilt & Swivel

Adds swivel motion for left to right positioning



AV-C20 K Series

Small displays (tablets, phones, cameras, GPS, etc.) or outdoor applications

- Constant Torque
- Rear Mount



Tilt & Swivel

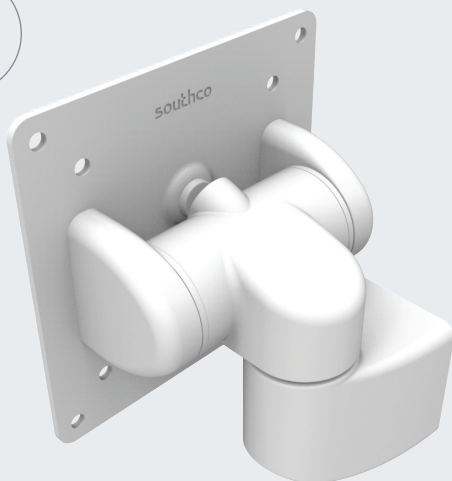
Adds swivel motion for left to right positioning



AV-D30 K Series

Where storage space requires a low-profile design

- Constant Torque, Counterbalance
- Rear Mount



AV-D32 K Series

Where a clean, stylish appearance is required

- Constant Torque, Counterbalance
- Rear, Table or Wall Mount



AV-D40 K Series

Where mounting of heavy displays or devices is required

- Constant Torque, Counterbalance
- Front Mount



Tilt, Swivel & Swing

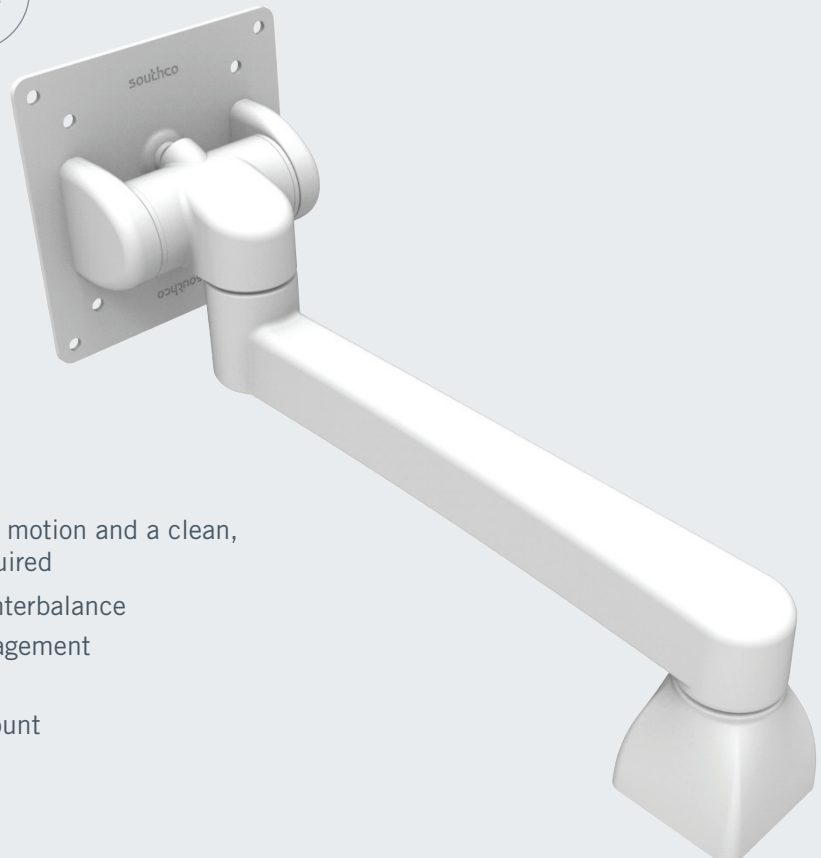
Allows the display to be extended towards the user or folded away for storage



AV-D30 A Series

Where storage space requires a low-profile design or a locking mechanism is required

- Constant Torque, Counterbalance
- Integrated Cable Management
- Arm Lengths: 150mm, 250mm, 350mm & 450mm
- Front Mount



AV-D32 A Series

Where increased range of motion and a clean, stylish appearance is required

- Constant Torque, Counterbalance
- Integrated Cable Management
- Arm Length: 230mm
- Rear, Table or Wall Mount

Tilt, Swivel & Swing

Allows the display to be extended towards the user or folded away for storage



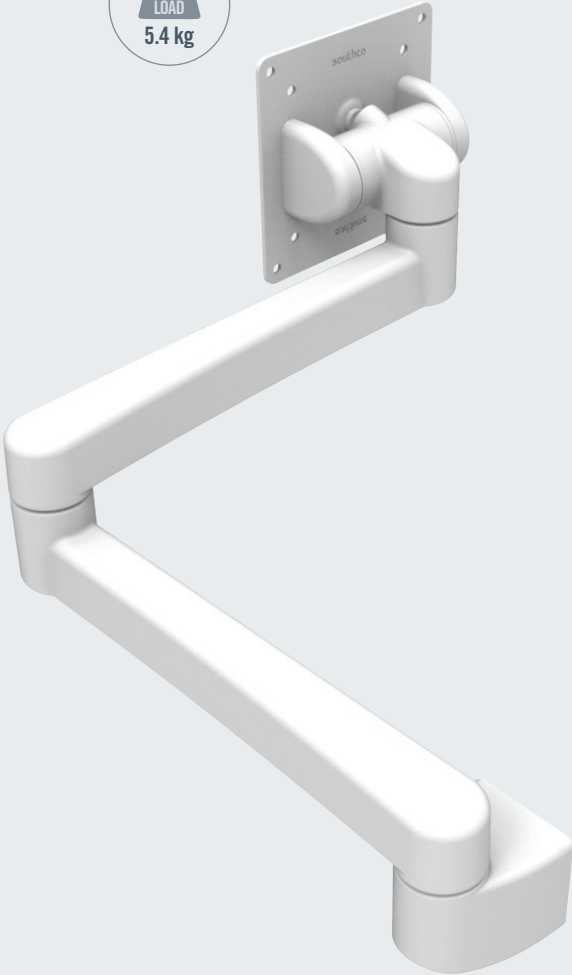
AV-D40 A Series

Where heavy displays or devices, or longer reach is required

- Constant Torque, Counterbalance
- Integrated Cable Management
- Arm Lengths: 250mm & 325mm
- Front Mount

Dual Extension

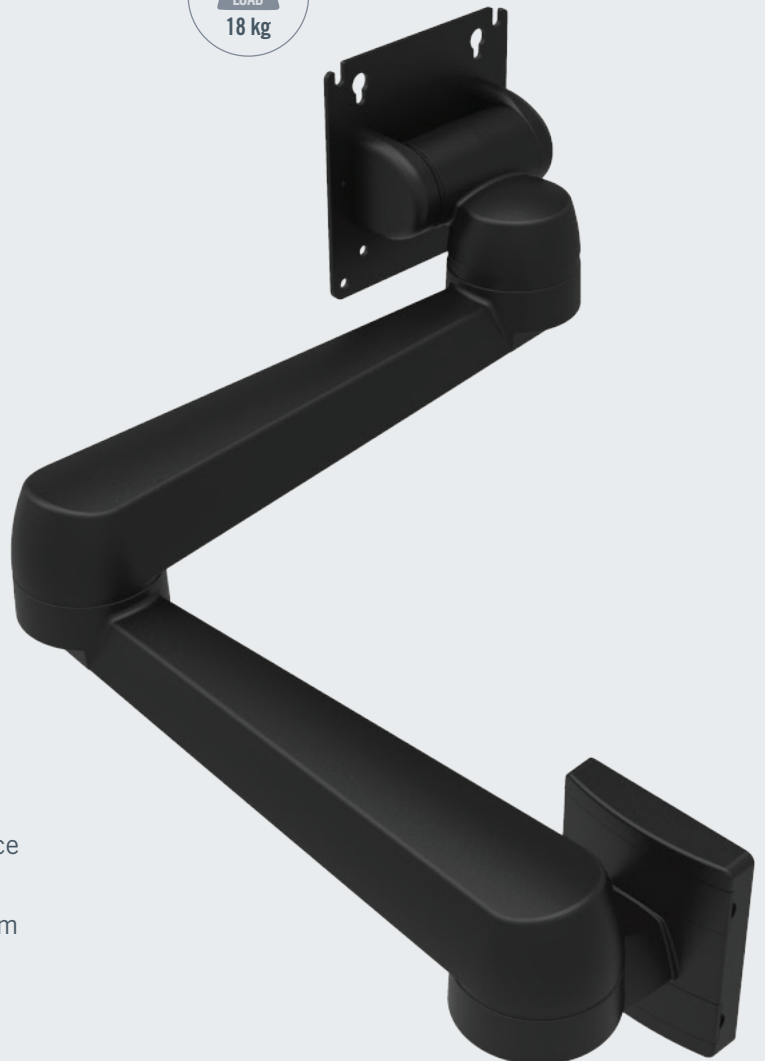
Increases range of motion and allows the display to move directly forward or backward



AV-D32 D Series

Where extended range of motion and a clean, stylish appearance is required

- Constant Torque, Counterbalance
- Integrated Cable Management
- Arm Length: 460mm
- Rear Mount



AV-D40 D Series

Where heavy displays or devices, or longer reach is required

- Constant Torque, Counterbalance
- Integrated Cable Management
- Arm Lengths: 500mm & 650mm
- Front Mount

Height Adjust

Adds lifting motion for up and down positioning in addition to tilt, swivel and swing



V Series

AV-D32 W Series & V Series

Where vertical adjustment or maximum range of motion is required

- Constant Torque, Counterbalance
- Integrated Cable Management
- Arm Length: 300mm
- Multiple Mounting Options



W Series

About Southco

Southco, Inc. is the leading global designer and manufacturer of engineered access solutions. From quality and performance to aesthetics and ergonomics, we understand that first impressions are lasting impressions in product design. For over 70 years, Southco has helped the world's most recognized brands create value for their customers with innovative access solutions designed to enhance the touch points of their products in transportation and industrial applications, medical equipment, data centers and more. With unrivalled engineering resources, innovative products and a dedicated global team, Southco delivers the broadest portfolio of premium access solutions available to equipment designers throughout the world.



ELECTRONIC
ACCESS



DISPLAY
MOUNTS



COMPRESSION
LATCHES



CAM LATCHES,
LOCKS & SWING-
HANDLES



PUSH-TO-CLOSE
LATCHES



ROTARY
LATCHES



DRAW
LATCHES



HINGES



QUICK ACCESS
FASTENERS



CAPTIVE
SCREWS



INJECT / EJECT



HANDLES
& PULLS

Creating first impressions that last.
[southco.com](https://www.southco.com)

southco[®]

Americas Global Headquarters

Concordville, PA, USA
Tel: (1) 610 459 4000

Europe Headquarters

Worcester, UK
Tel: (44) (0) 1905 346722

Asia Pacific Headquarters

Hong Kong, China
Tel: (852) 3127 1503

WORLDWIDE MANUFACTURING AND STOCKING LOCATIONS

Concordville, Pennsylvania, USA · Honeoye Falls, New York, USA · Philadelphia, Pennsylvania, USA · Warminster, Pennsylvania, USA · Chihuahua, Mexico · Tecate, Mexico
São Paulo, Brazil · Farnham, UK · Worcester, UK · Hong Kong, China · Shenzhen, China · Shanghai, China · Seoul, Korea · Melbourne, Australia · Pune, India · Osaka, Japan