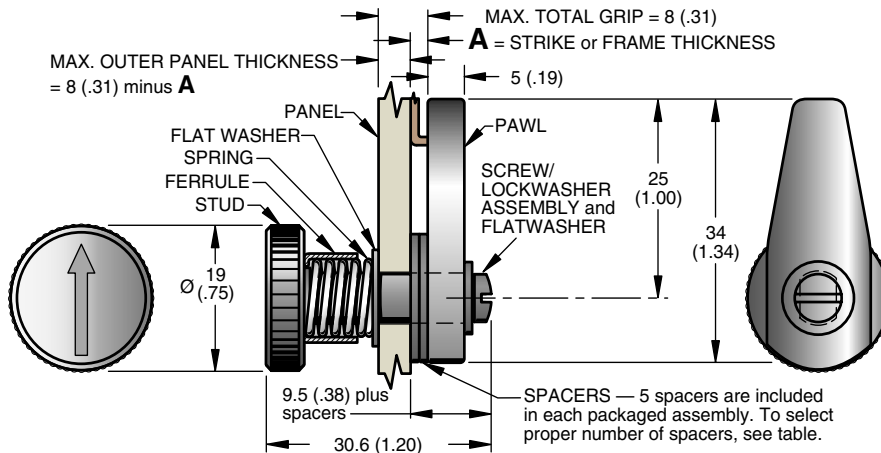


# Southco® Pawl/Cam Action Latches

## Arrowhead Style

- Arrow acts as pawl indicator
- Single-hole installation

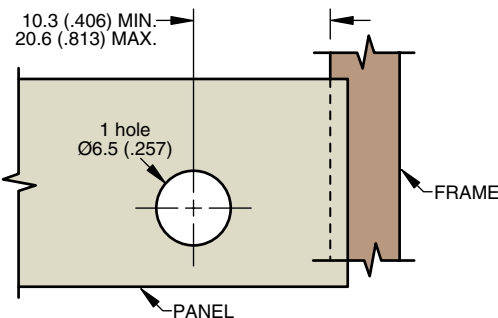


### Material and Finish

STUD: Brass, bright chrome plated.  
 FERRULE: Brass, bright nickel plated.  
 PAWL: 1010 Steel, zinc immersion coating.  
 SPRING: 302 Stainless steel, passivated.  
 FLAT WASHER: 302 or 304 Stainless steel, natural.  
 SPACERS: 5052 Aluminum, natural.  
 SCREW/LOCKWASHER ASSEMBLY and WASHER: Steel, zinc plate, chromate plus sealer.

Latch is shipped unassembled. One unit per bag.

### Panel Preparation



### Installation

1. After preparing panel, slide ferrule, spring and medium size washer onto shaft.
2. Insert stud shaft through hole of outer panel and slide required number of spacers (0-5) onto shaft.
3. Retain pawl on end of shaft with screw hardware.

### PART NUMBER

49-2 •

### Product Strength Guidelines

(To assist in your product selection; samples are available for your evaluation.)  
 Maximum static load = 220 N (50 lbs.)  
 Average Ultimate load = 900 N (200 lbs.)

When <b>A</b> dim. is...	0.00 to 1.5 (.000) to (.060)	1.5 to 2.8 (.061) to (.111)	2.8 to 4.1 (.112) to (.162)	4.1 to 5.4 (.163) to (.213)	5.4 to 6.7 (.214) to (.264)	6.7 to 7.9 (.265) to (.312)
No. of spacers to be used	0	1	2	3	4	5

millimeter (inch)  
 millimeter  
 (inch)

Dimensions without tolerances are for reference only.