



92 Cam Latch

T and L-Handle · Adjustable grip

- Round hole install
- Detents in open and closed position

Material and Finish

Zinc alloy and steel, zinc plated

Performance Details

Maximum static load:
 Short cam 400 N (90 lbf)
 Long cam 200 N (45 lbf)

Installation Notes

Screw and lockwasher assembly M4 x 10 (supplied).
 For door thickness > 3.0 (.12), calculate screw length using the following formula:
 Door thickness + 7.00 (.28)

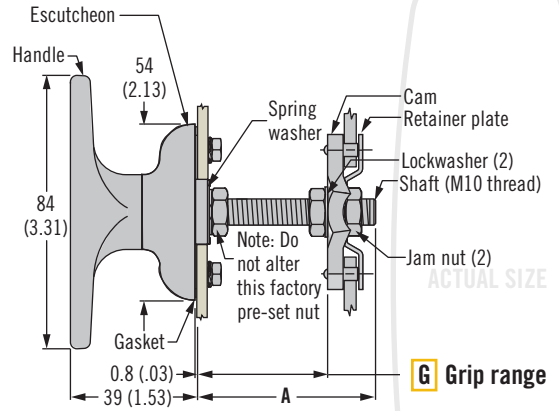
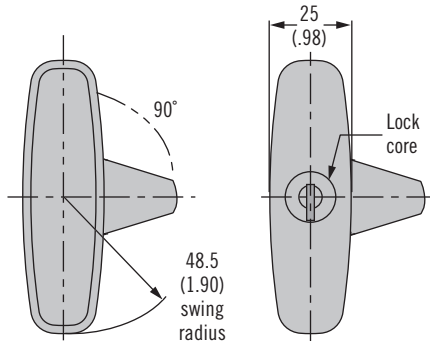
Keys

See page 120 and 169-175

Notes

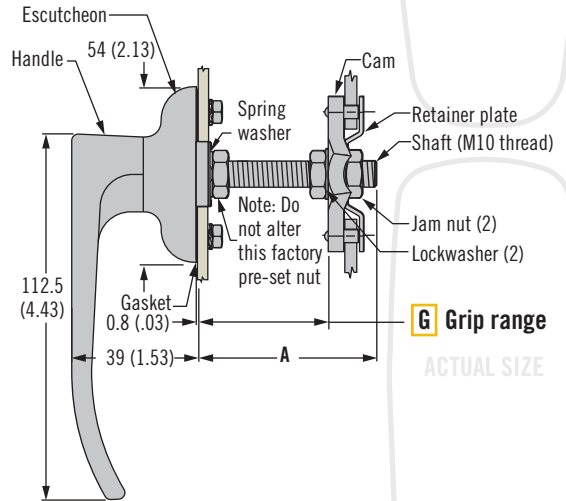
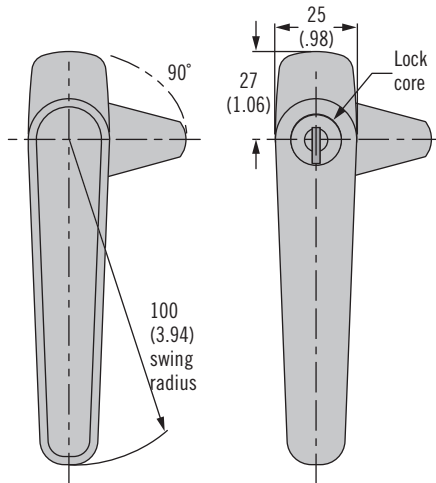
For fixed grip versions see page 162
 For version with 8 (.32) square shaft see page 185

T-Handle



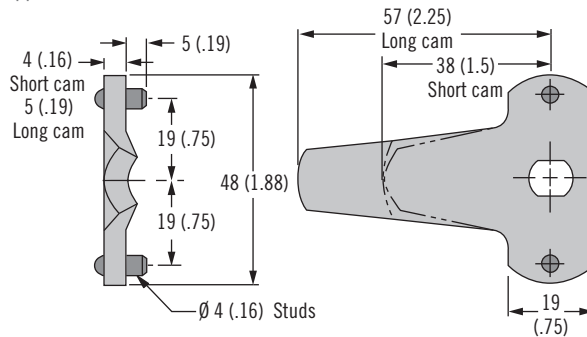
G Grip range

L-Handle

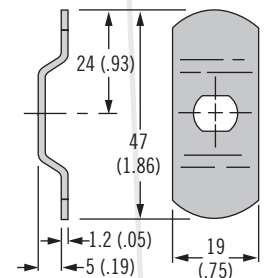


G Grip range

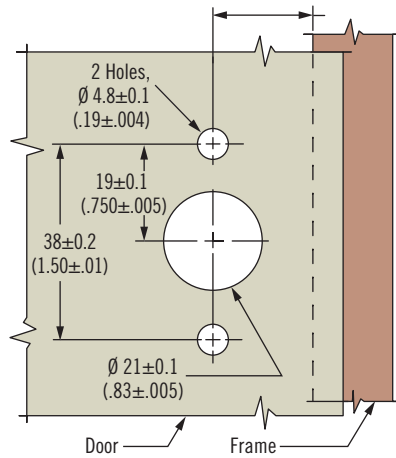
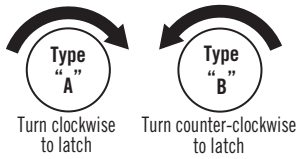
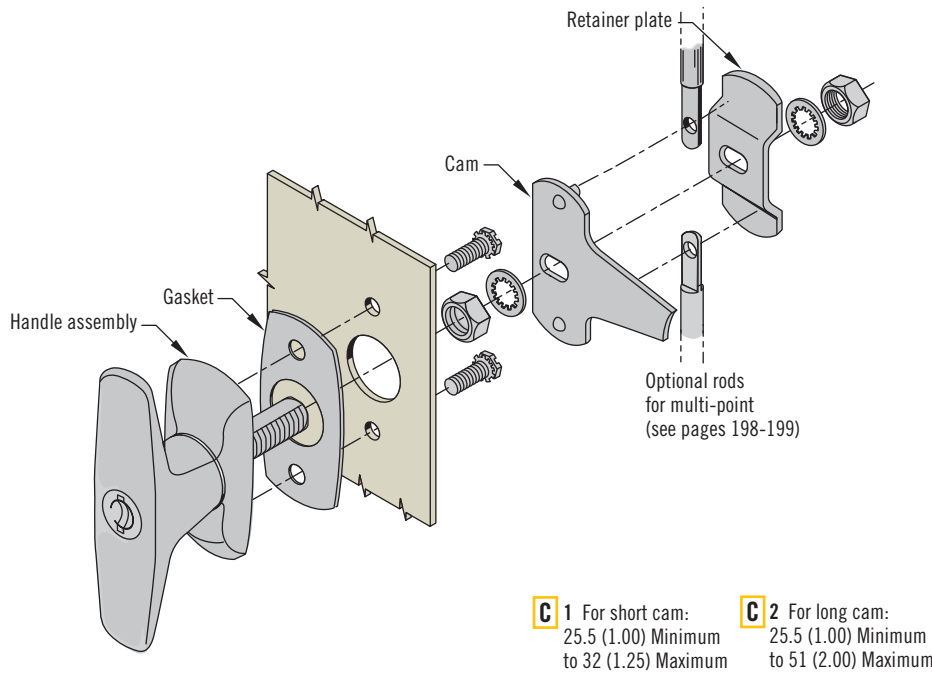
Cam (supplied)



Retainer Plate (supplied)

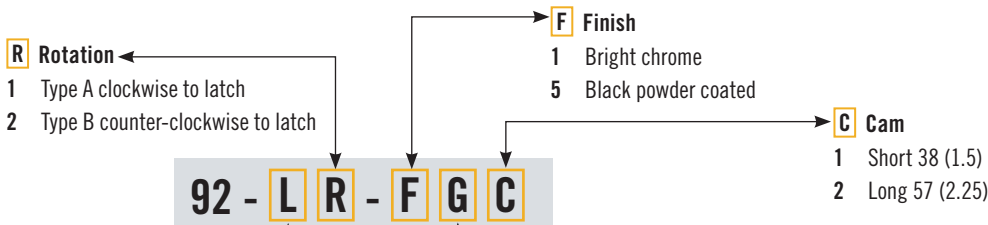


Dimensions in millimeters (inch) unless otherwise stated



Part Number Selection

See table



- L** Lock style
- 1 T-handle non-locking
 - 2 T-handle key-locking CH751 (two keys supplied)
 - 3 L-handle non-locking
 - 4 L-handle key-locking CH751 (two keys supplied)

G Grip	Minimum	Maximum	A
1		19 (.75)	32 (1.25)
2	16 (.63)	32 (1.25)	44.5 (1.75)
3		44.5 (1.75)	57.5 (2.25)