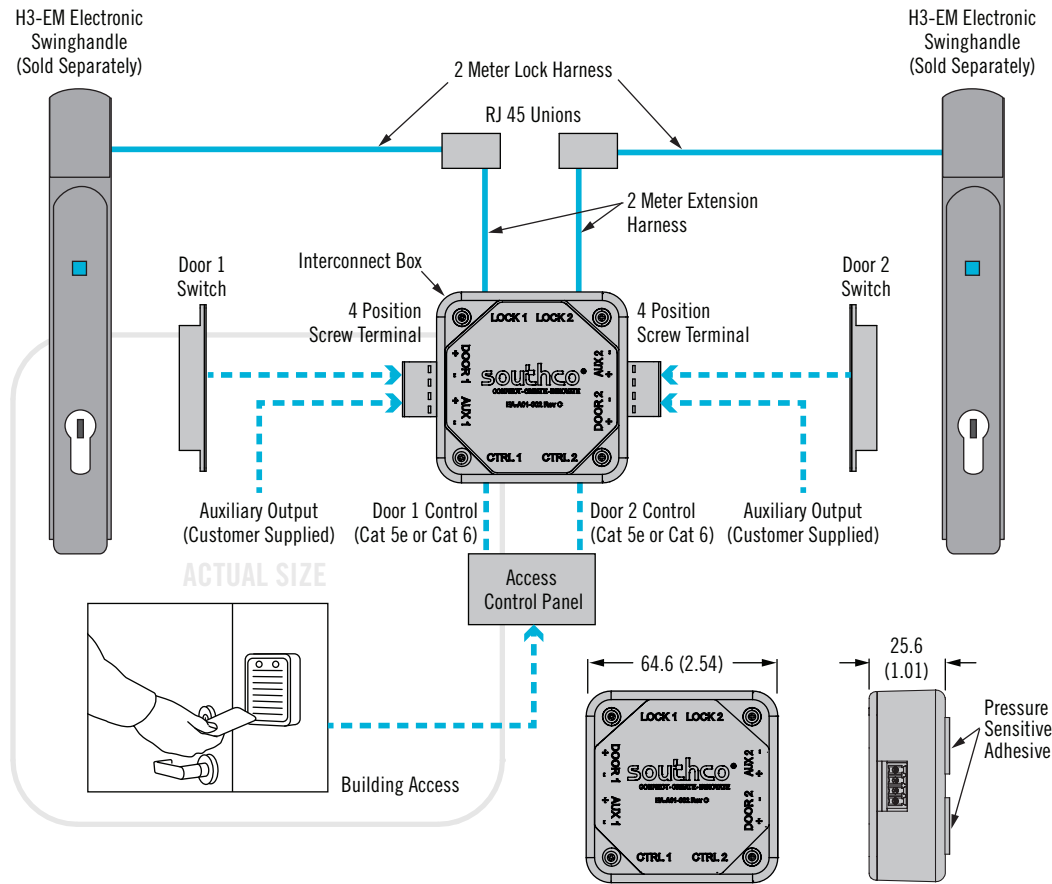


EA-A01 Security System Integration Kit

Electronic Access



Security System Integration Kit layout (Part Number EA-A01-102)



- Simplifies wiring between data center racks and remote access control panels
- Connects Southco H3-EM Electronic Swinghandle to existing access control system
- Facilitates both remote control and monitoring of H3-EM Electronic Swinghandle
- Cabinet level cables, door switches, and connectors included in kit
- System integration using standard structured cabling

Material and Finish

Housing: ABS, UL94-5VA
PCB: FR4

Specifications

RoHS Compliant
Auxiliary and Door Switch Contacts not to exceed 0.4 A
Connects to any Wiegand based Access Control Panel

Mounting

Interconnect Box supplied with pressure sensitive adhesive
*Note: In system layout, solid lines shown represent Southco supplied wiring; dotted lines shown represent customer supplied wiring
See Southco Trade Drawing J-EA-A01-102 for additional wiring and pin out details

Security System Integration Kit Part Number EA-A01-102 Includes the following:		
Quantity	Description	
1	Interconnect Box	
2	RJ45 Union (For door removal)	
2	2 Meter Extension Harness (CAT 5e cable)	
2	2 Meter Lock Harness (Custom Southco Cable)	
2	4 Position Screw Terminal (For door switch and auxiliary output connection)	
2	Magnetic Door Switch (For sensing door status. Mount using supplied adhesive or screws.) Note: cable not included	
1	User Instructions (J-EA-A01-102-M)	





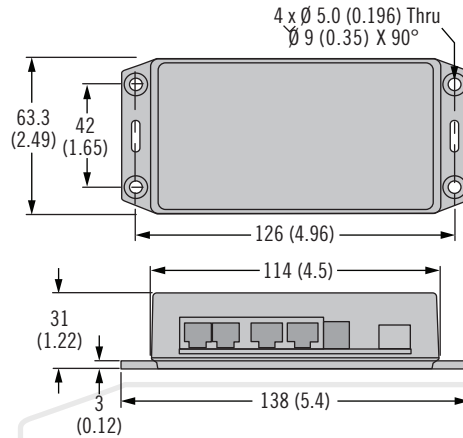
EA-A01 Standalone Junction Box

Electronic access

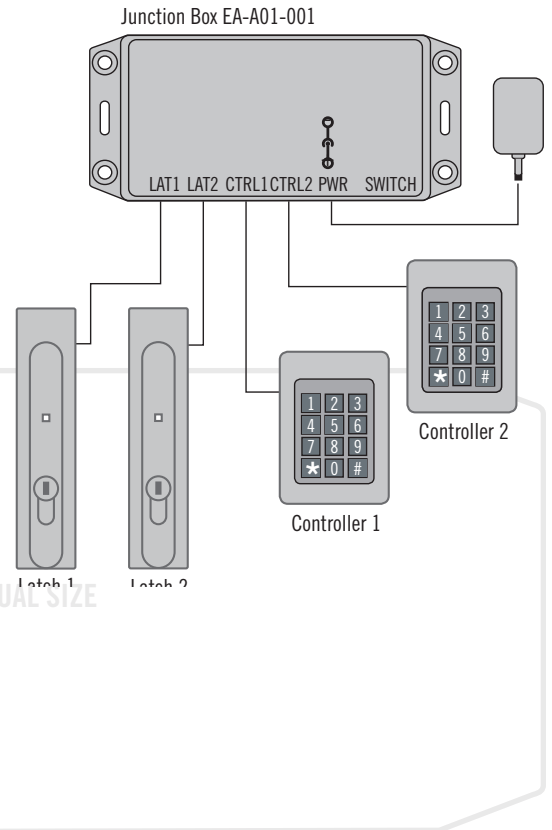
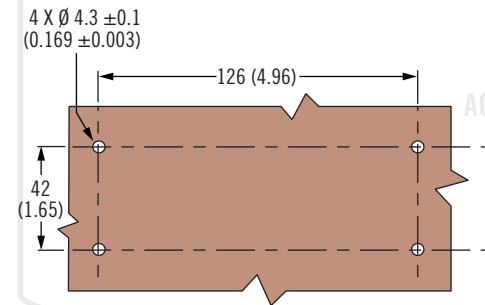
- Accommodates 2 access control devices and 2 electromechanical latches
- Labeled connections for simple setup
- Convenient centralized connection for system power
- Switches allow for any combination of access control to latch
- Use with any Southco access control to electromechanical latch combination
- Order Junction Box, cables and power supply separately

Junction Box

Part Number
EA-A01-001



Panel Preparation



Accessories Listing

Part Number	Description	Function	
EA-W02-503-51*	5 Meter wire harness -RJ12 to Hirose 4 Pin DF11-4DS-2C	Connects Junction Box to EM-10-XX-XXX Electronic Keeper	
EA-W20-501-51*	5 Meter wire harness -RJ12 to Molex 43020-0601	Connects Junction Box to R4-EM-XX-XXX Electronic Rotary Latch	
EA-W01-500-51*	5 Meter wire harness -RJ12 to Hirose 6 Pin DF11-6DS-2C	Connects Junction Box to H3-EM-60-100 Electronic Swing Handle	
EA-W52-506*	5 Meter wire harness -RJ45 to stripped and tinned end	Connects Junction Box to Customer Application	
EA-W52-506-80*	5 Meter wire harness -RJ45 to JA connector A2506H-09	Connects Junction Box to EA-K1 and EA-P1 Series Access Controllers	

*Contact Southco for custom lengths

Other options available. For complete details on variety, part numbers, installation and specification, go to



Dimensions in millimeters (inch) unless otherwise stated