



EA-BT BLUETOOTH® Controller Lite

Wireless access control

- **Wireless credential management**
- **Authorize/revoke access remotely**
- **Phone or tablet can be used as key**
- **Cloud-based, no software to install or maintain**
- **128 Bit encryption for ultimate security**

Material & Finish

Housing and Base: PC / ABS

Button: Silicone

PCA: FR4, Lead free

Wire: 24 Awg, stranded, TC, style UL 1571 or UL 1007

Screws: Steel, zinc plated, clear passivation

Electrical Specifications

Supply Voltage: 12 VDC

Operating Current: 20mA

Peak Current: 50mA

Relay Output: 750mA @12 VDC

Wire Color Code Assignment

Red: 12VDC

Black: GND

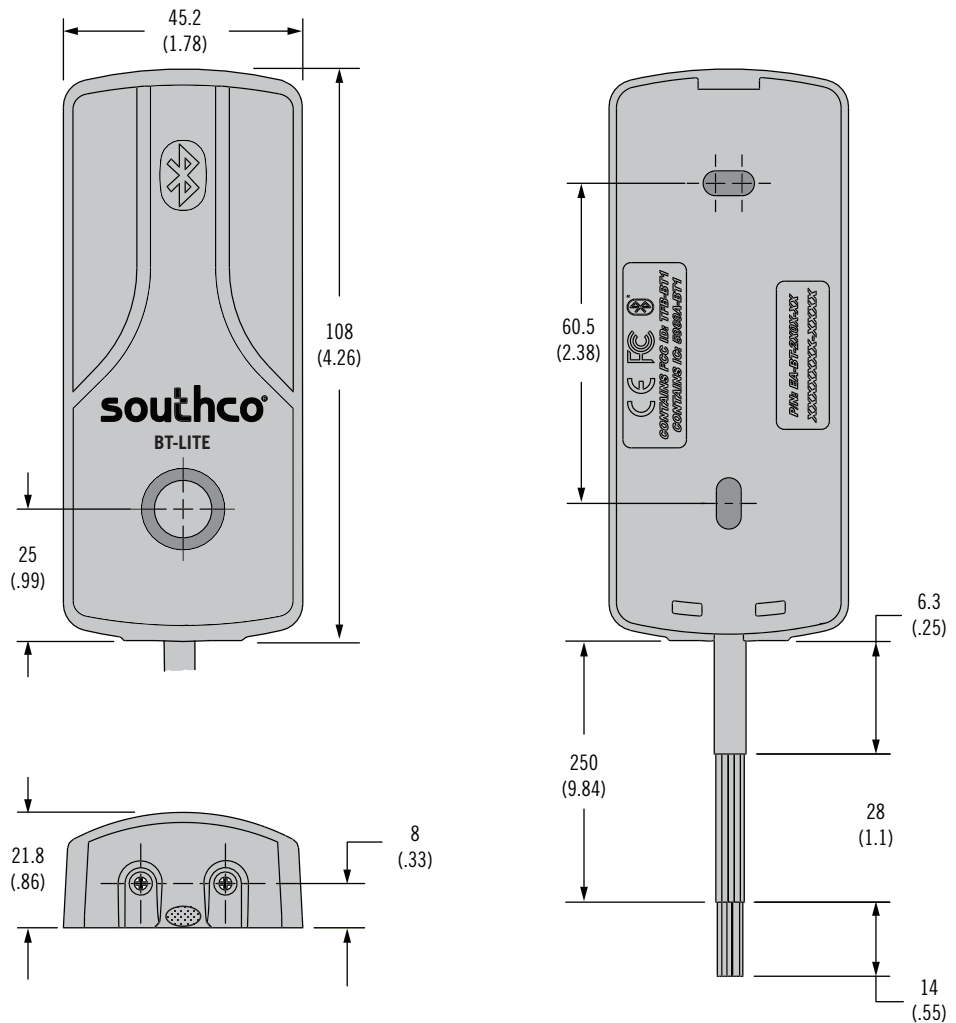
Yellow: Relay - Common

Blue: Relay - Normally Open

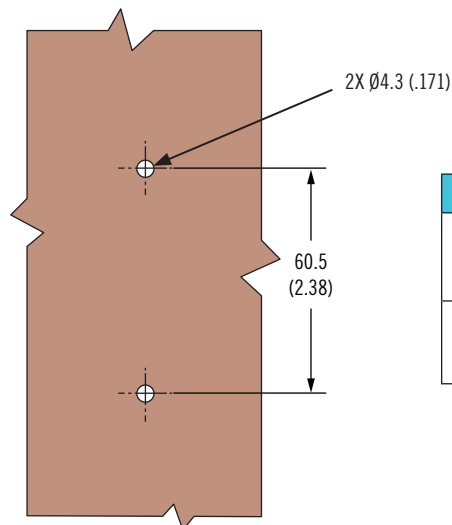
Installation Notes

1. Remove controller from base by removing two screws at bottom of unit.
2. Install base onto panel with two M4 (No. 8) screws.
3. Attach controller to base with two screws at bottom of unit.
4. See installation instructions for electrical connections.

Controller Assembly



Panel Preparation



Part Number	Description
EA-BT-2012-10	BLUETOOTH® Controller Lite
For other wiring options, please contact Southco	

Dimensions in millimeters (inch) unless otherwise stated



www.southco.com/EA-BT

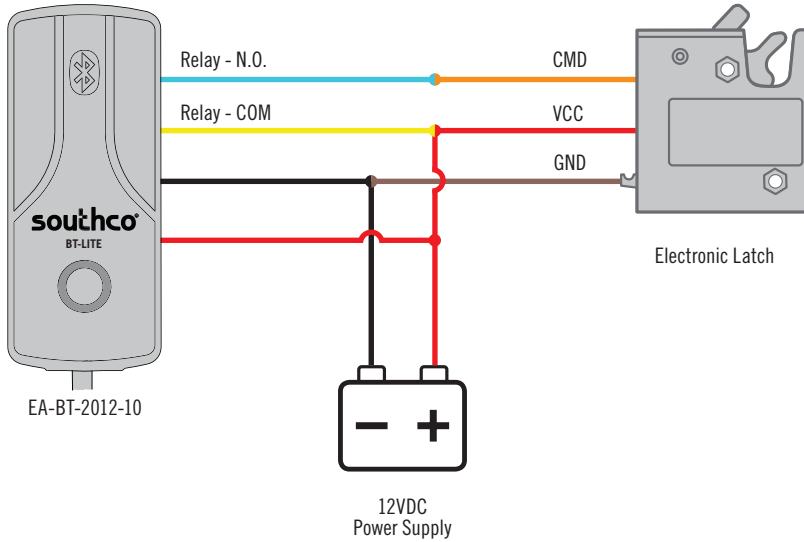
southco
CONNECT · CREATE · INNOVATE

EA-BT *BLUETOOTH*[®] Controller Lite

Wireless access control



Example Connection Diagram



How to Use:

Southco's EA-BT *BLUETOOTH*[®] Controller provides remote control to electronic locks without the need for any wiring between an access controller and remote monitoring system.

Control is managed via the cloud based *VIZpin*[®] application. The *VIZpin*[®] application has two interfaces:

VIZpin[®] Access Control:

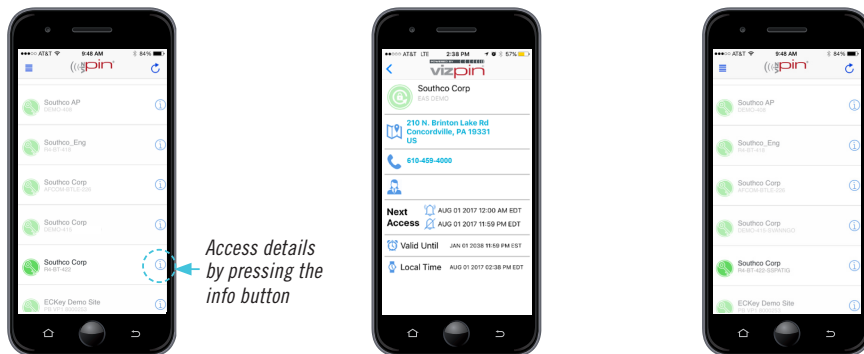
This admin interface manages access via a web browser. This allows virtual keys to be provided to and revoked from users remotely.

Virtual Keys: This user interface allows users to open Southco's electronic locks using the *VIZpin* app on a mobile device. The user wirelessly receives a virtual key that can be used to communicate with the EA-BT *BLUETOOTH*[®] controller to open the connected lock(s).

Cloud-based Key Management



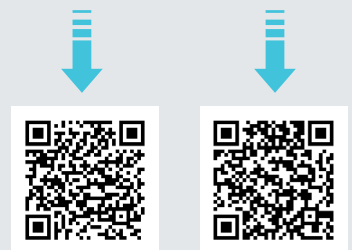
BLUETOOTH[®] Mobile App



Access details by pressing the info button

- User logs into application
- A list of virtual keys are displayed
- Virtual keys that are in range of a *BLUETOOTH*[®] Controller are highlighted
- User selects "info" for access details including:
 - Physical address of equipment
 - Access time window
 - Key expiration date
- User presses "key" icon for access
- *BLUETOOTH*[®] controller verifies virtual key then sends signal to unlock the connected lock

Download the *VIZpin*[®] App



Android[®] devices

iOS[®] devices

iOS is a registered trademark of Apple, Inc. ANDROID is a registered trademark of Google, Inc. VIZpin is an authorized trademark of ECKEY[®] Corporation. The *BLUETOOTH* word mark and logo are registered trademarks of Bluetooth SIG, Inc and are used under license.

