



# EA-KC2 Series Keypad Access Controller

## Membrane keypad

- Simplified, secure access management
- Attractive, customizable membrane style keypad
- Programmable to accommodate multiple access arrangements
- Direct integration with electronic locks
- Controls up to two compartments independently
- Sleep mode for minimal power draw
- Up to 120 user codes
- LED indicators for keypad status & programming

### Material & Finish

Membrane Keypads with Tactile Keys: Textured Polyester Film with PSA Tape for Mounting on Backside  
 Controller Housing: ABS  
 Controller Circuit Board: FR4

### Electrical Specifications

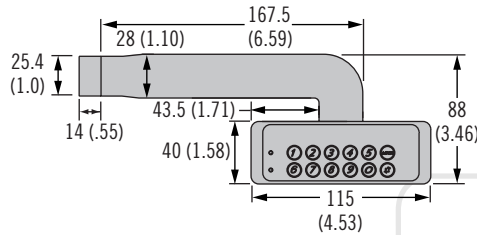
Supply Voltage: 12-24 VDC  
 Stand By Current: 30µA  
 Operating Current: 10mA (Typical)  
 Maximum Total Output: 4 Amps (2 Amps per Output)

### How to Order

1. Order one controller EA-KC2-201
2. Order standard Southco membrane keypad. Contact Southco for custom membrane keypad design.
3. Order Southco Power Supply EA-A02-002 and select the appropriate plug adapter if needed.
4. Use latch wire harness options table to select cable to accommodate Southco EML

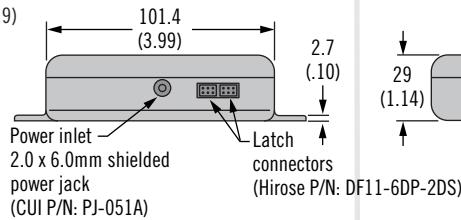
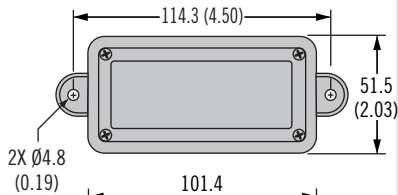
### Horizontal Keypad

Part Number EA-KC2-101



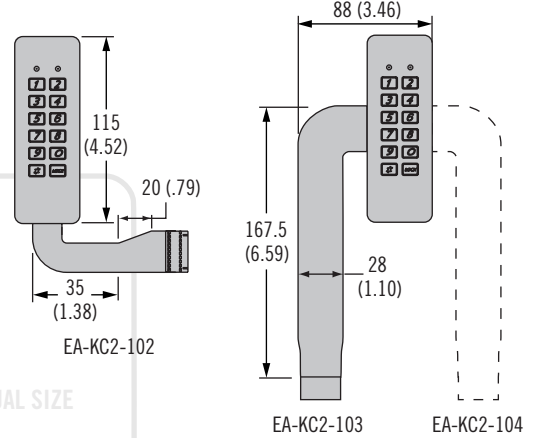
### Controller Assembly

Part Number EA-KC2-201



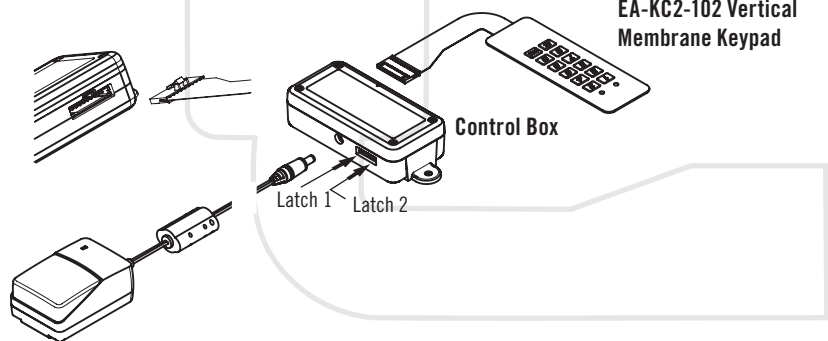
### Vertical Keypad

Part Number EA-KC2-102, EA-KC2-103 & EA-KC2-104



ACTUAL SIZE

EA-A02-002 Power Supply



### Latch Wire Harness Options

Part Number	Description	
EA-W01-200*	2 Meter Wire Harness Stripped and Tinned	
EA-W20-201-01*	2 Meter Wire Harness to Connect Membrane Controller to Miniature Electronic Keeper (EM-05-XX-XXX) and/or Electronic Rotary Latch (R4-EM-XX-XXX)	
EA-W01-200-01*	2 Meter Wire Harness to Connect Membrane Controller to Electronic Swing Handle (H3-EM-XX-XXX)	

### Power Supply Plug Adapters

Part Number	Description	Function
EA-A02-002**	Power Supply with NA 2-Pin	
EA-A02-002 & EA-A02-002-2	Power Supply with Euro 2-Pin	
EA-A02-002 & EA-A02-002-3	Power Supply with UK 3 Pin	
EA-A02-002 & EA-A02-002-4	Power Supply with SAA 2-Pin	

\*Contact Southco For Custom Lengths

\*\*EA-A02-002-1 NA 2-PIN included with EA-A02-002 Power Supply.

Dimensions in millimeters (inch) unless otherwise stated

Other options available. For complete details on variety, part numbers, installation and specification, go to

