



AV Series Dynamic Mount

Tilt and swivel · Compact

- **Intuitive grab and move operation enhances the user experience**

No knobs or tools required to reposition the monitor
Consistent repeatable operation

- **Factory assembled and ready for use**

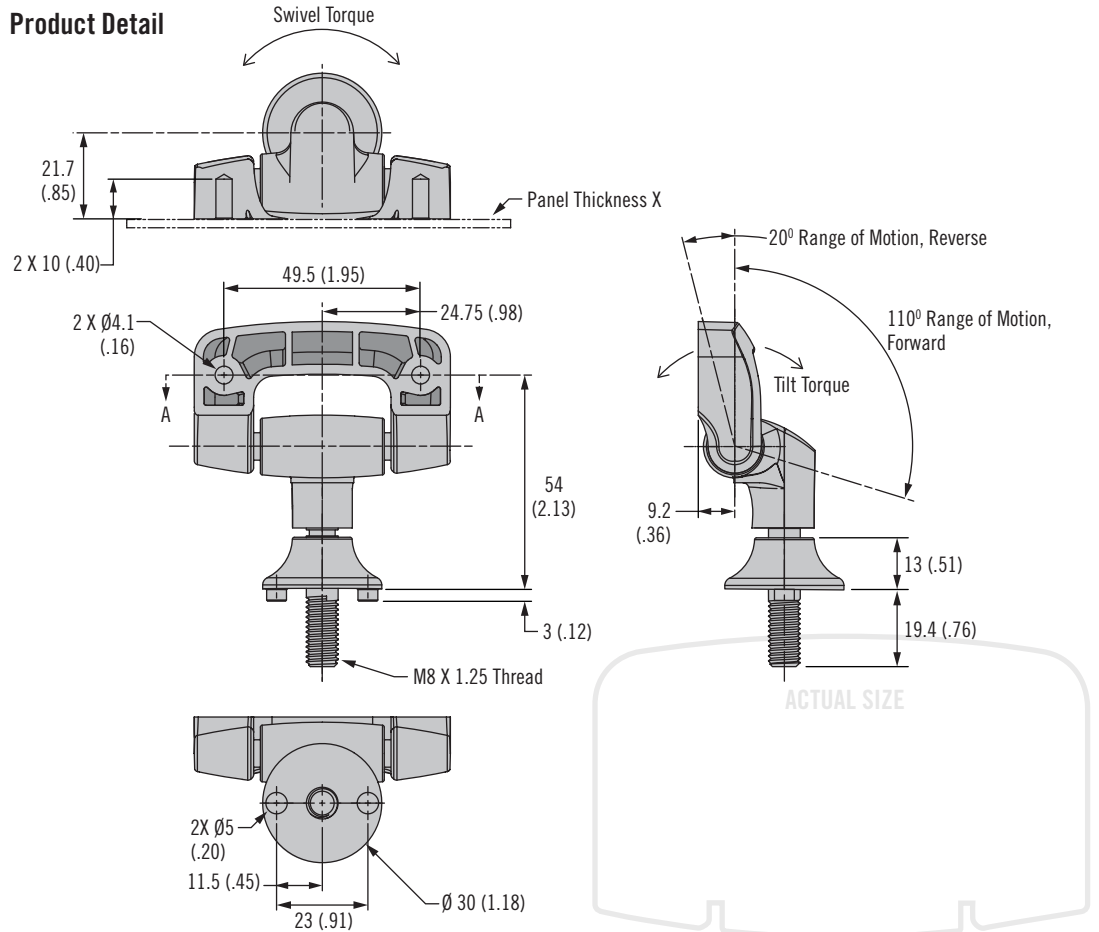
Installation Notes

1. Determine desired mounting location
2. Attach using M8 nut (not supplied) as shown

Caution: Because of the wide variety of panel materials, it is the installer's responsibility to ensure that the materials and structure to which the product is mounted and the hardware selected will provide adequate support.

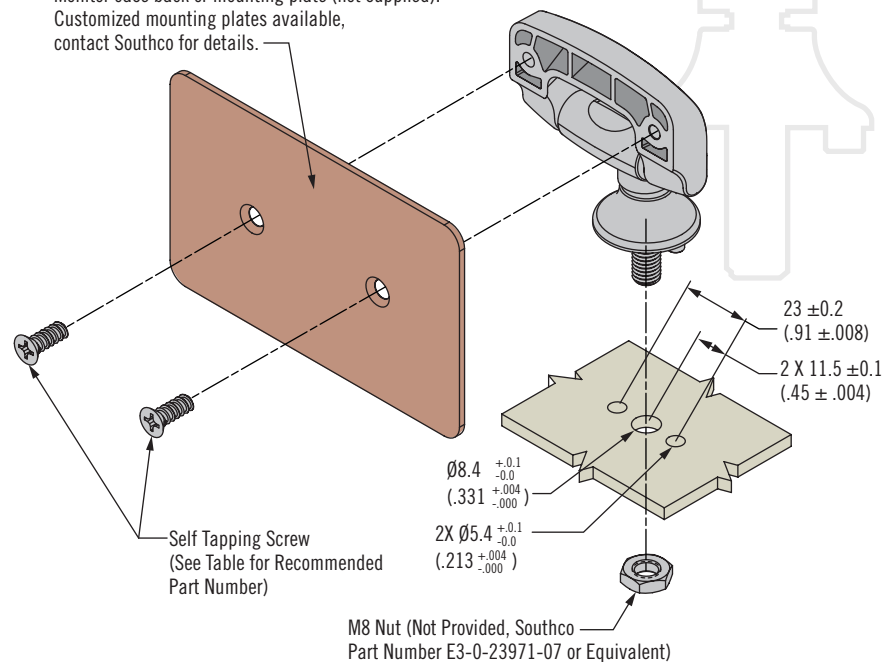
3. Attach monitor mounting bracket using recommended self-tapping screws or equivalent

Product Detail



Installation

Monitor case back or mounting plate (not supplied).
Customized mounting plates available,
contact Southco for details.



AV Series Dynamic Mount

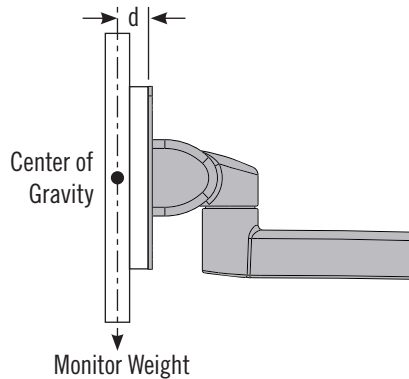
Tilt and swivel · Compact



Specification and Selection

Step 1

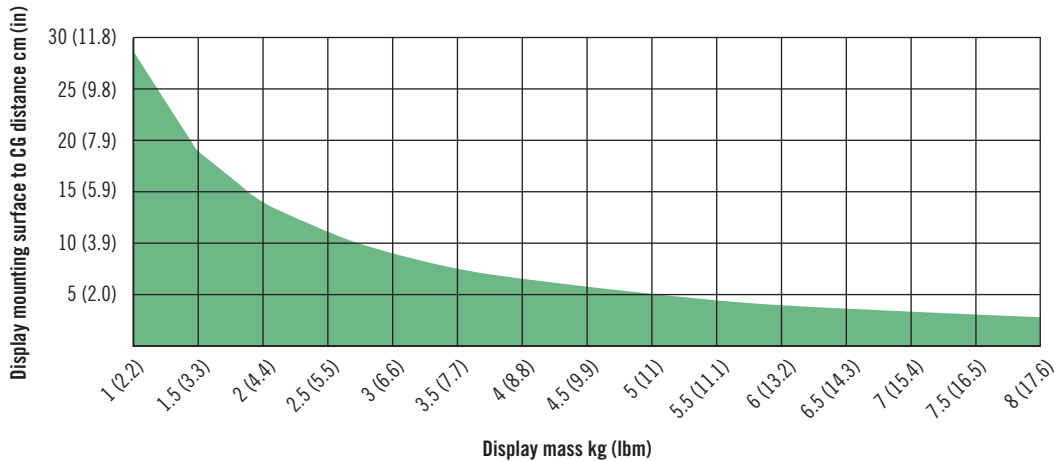
Determine monitor weight and distance (d) from mounting surface to center of gravity.



Step 2

Use chart below to confirm suitable monitor weight. For weights outside the shaded area, consider *SOUTHCO*® AV-D30 series Monitor Mounts.

AV-C20 Series - Capacity vs. CG Distance



Step 3

Select part number and recommended monitor mounting hardware below:

Recommended monitor mounting hardware:

Part Numbers	Tilt Torque N·m (in·lbf)	Swivel Torque N·m (in·lbf)
AV-C20-K101-20	2.8 (25.0)	2.1 (19.0)

Panel Thickness, X (mm)	Pan-Head Screw (Southco P/N)	Flat-Head Screw (Southco P/N)
1-4	96-79-1	96-79-11
4-7	96-79-2	96-79-12

- Smooth operation enhances the user experience
- Adjust the monitor without knobs or tools
- Holds securely in every position

Material and Finish

Glass-filled nylon, black;
Stainless steel

Performance Details

Cycle performance: 20,000 cycles

Max dynamic working load: 100 N
(22.5 lbf)

Average ultimate load: 1000 N
(225 lbf)



AV Series Dynamic Mount

Tilt and swivel

- **Intuitive grab and move operation enhances the user experience**

No knobs or tools required to reposition the monitor

Precise control of operating effort ensures ideal “feel” and eliminates “drift”

Holds securely, even in applications with dynamic loading

- **Consistent repeatable operation**

- **Factory assembled and ready for use**

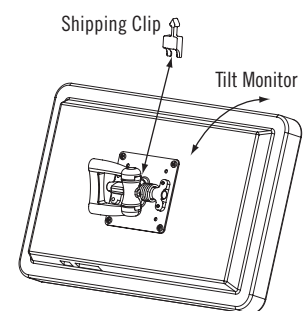
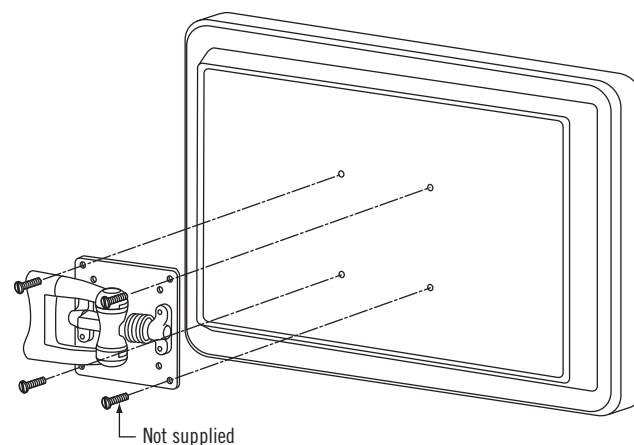
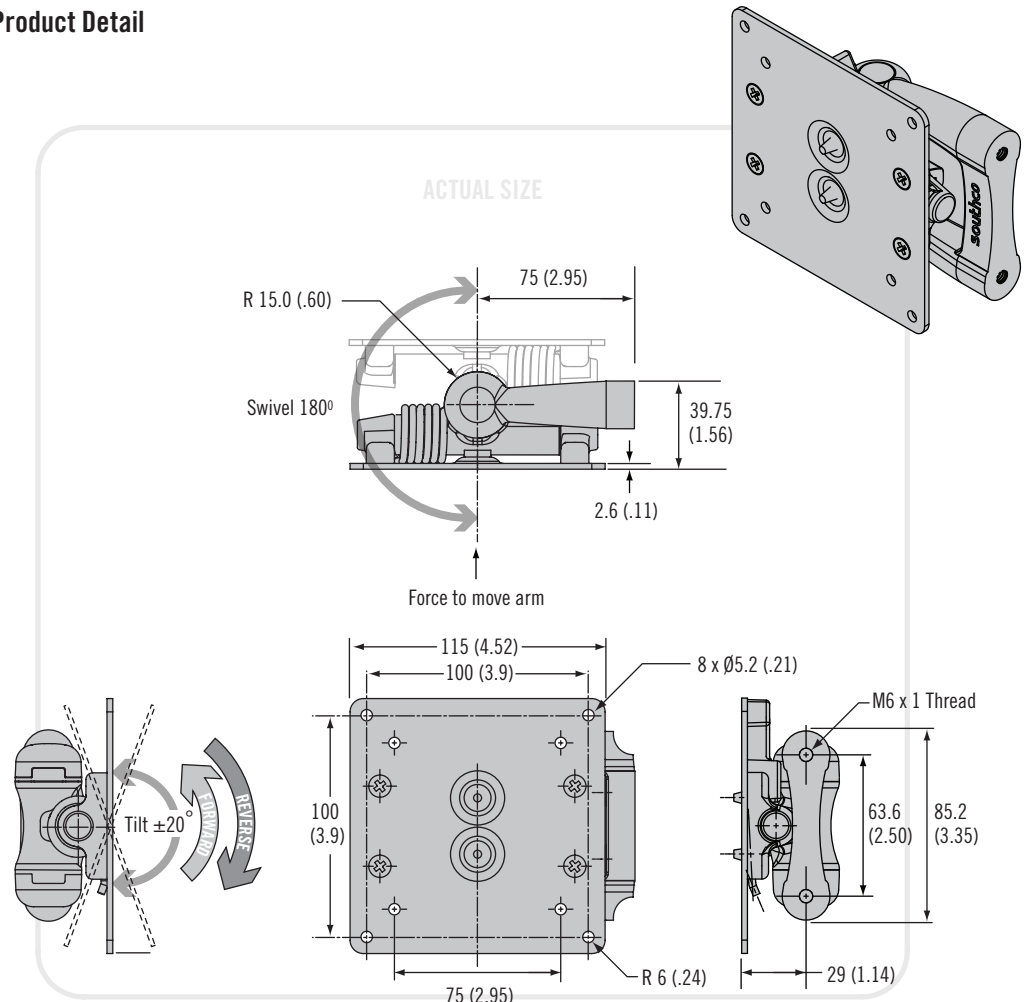
Installation

1. Determine desired mounting location
2. Attach using M6 X 1 screws as shown

Caution: Because of the wide variety of available wall materials, it is the installer’s responsibility to ensure that the materials and structure to which the arm is mounted, and the hardware selected will provide adequate support.

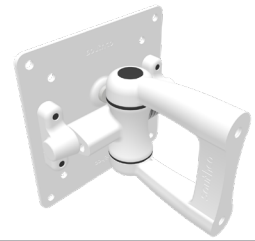
3. Attach monitor using manufacturer’s recommended hardware
4. Remove and recycle the shipping clip

Product Detail



AV Series Dynamic Mount

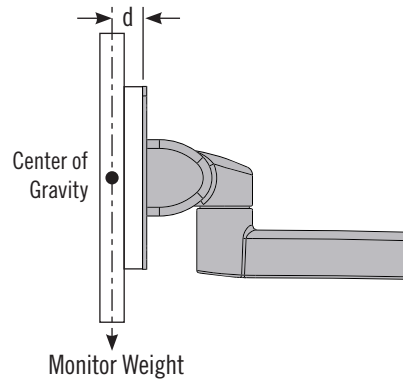
Tilt and swivel



Specification and Selection

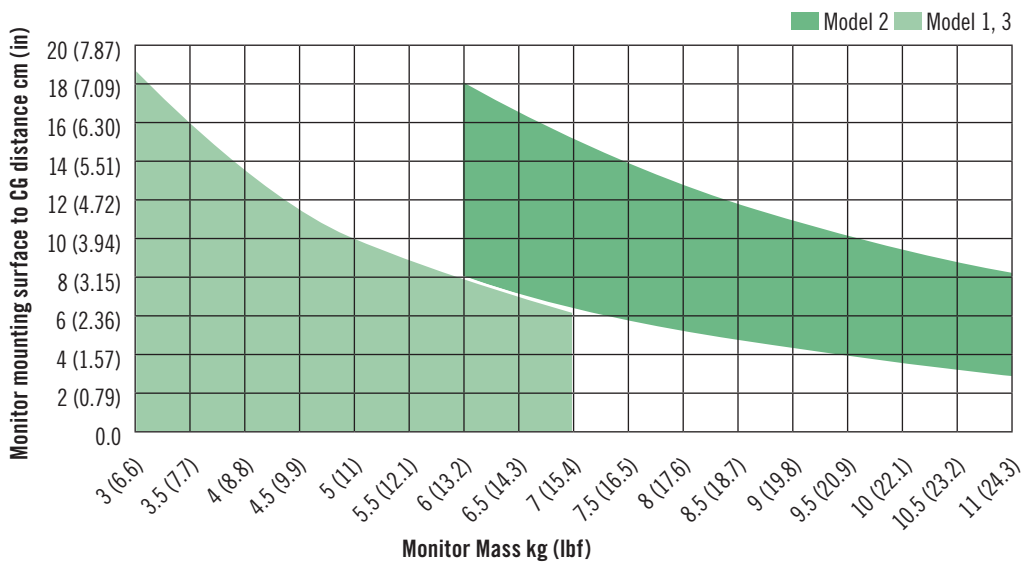
Step 1

Determine monitor weight and distance (d) from mounting surface to center of gravity.



Step 2

Use chart below to select model (1, 2 or 3).



Step 3

Complete part number by selecting model and color options below.

Model	Monitor size	Tilt Torque N-m (in-lbf)		Swivel Torque
		Reverse	Forward	
1	Small monitor, easiest positioning	7.9 (70)	1.13 (10)	2.3 (20)
3	Small monitor, extra holding force	8.6 (76)	6 (53)	3.4 (30)
2	Medium monitor	15.4 (136)	2.26 (20)	3.4 (30)

F	Color
50	Black
76	White

AV - D30 - 7K10 **S** - **F**

For complete installation and operation instructions please consult the product manual included in every package or available to download from www.southco.com/AV

- Smooth operation enhances the user experience
- Adjust the monitor without knobs or tools
- Holds securely in every position

Material and Finish

Aluminum alloy, powder coated

Performance Details

Cycle performance: 20,000 cycles within $\pm 20\%$ of static torque specification

Maximum dynamic working load:

Model 1 and 3: 66 N (15 lbf)

Model 2: 98 N (22 lbf)

Average ultimate load: 178 N (450 lbf)

Part Number

See table

Part Number Example

AV-D30-7K101-50 = Dynamic mounting arm, Model 1, black



AV Series Dynamic Mounting Arm

Tilt and swivel · Single arm · Double arm

- **Intuitive grab and move operation enhances the user experience**

No knobs or tools required to reposition the monitor

Precise control of operating effort ensures ideal “feel” and eliminates “drift”

Holds securely, even in applications with dynamic loading

- **Consistent repeatable operation**

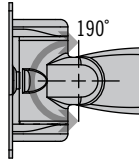
- **Fully enclosed for optimum cleanability**

- **Snap-on wire management cover**

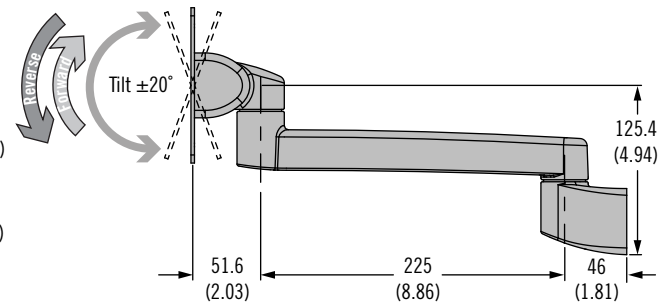
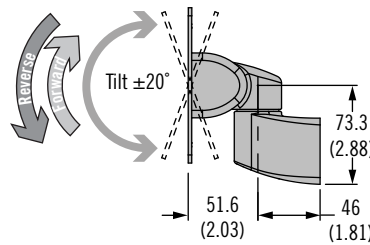
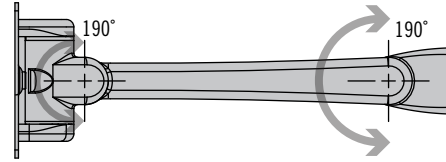
- **Factory assembled and ready for use**

For mounting options and installation detail please refer to pages 84-85

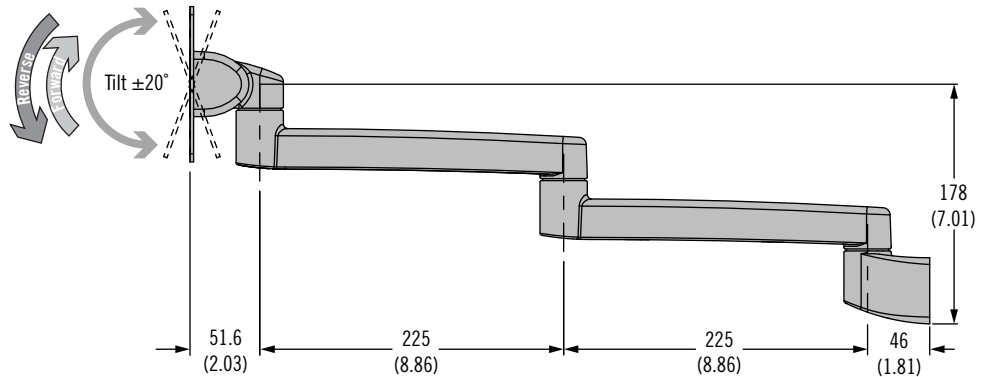
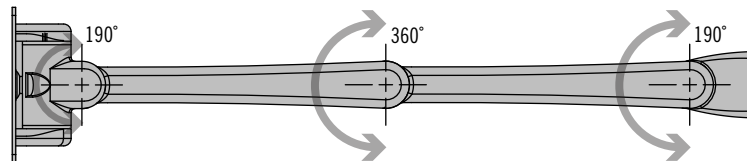
Tilt and Swivel



Single Arm



Double Arm



AV Series Dynamic Mounting Arm

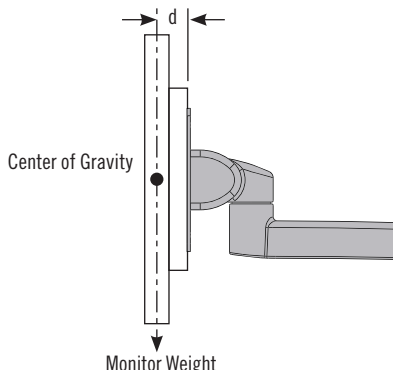
Tilt and swivel · Single arm · Double arm



Specification and Selection

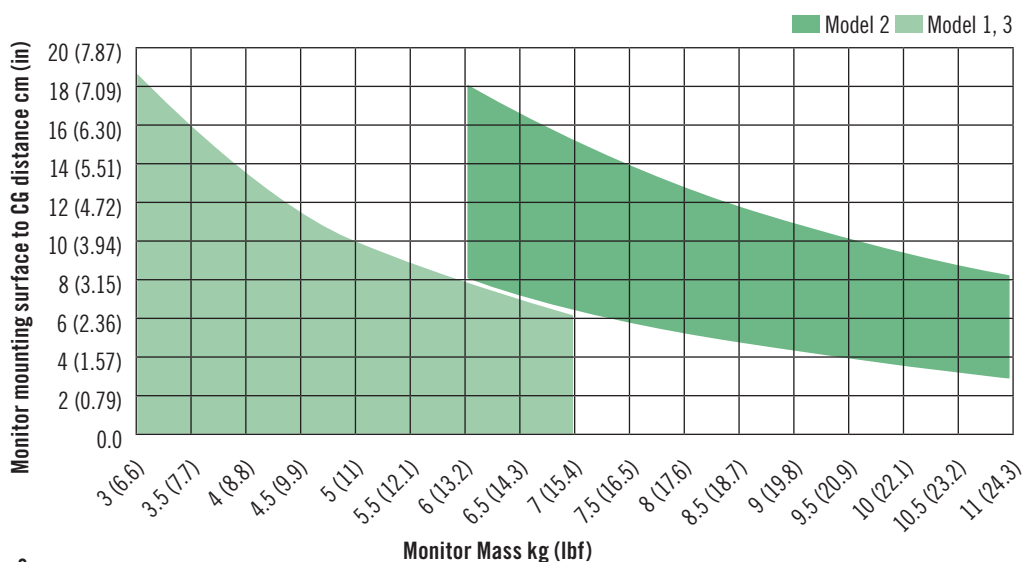
Step 1

Determine monitor weight and distance (d) from mounting surface to center of gravity.



Step 2

Use chart below to select model (1, 2 or 3).



Step 3

Complete part number by selecting length and color options below.

L	Length & Function
10K	Tilt / swivel
23A	225mm Single arm
46D	450mm Double arm

K	Mounting style
0	Wall mount, Rear, no wire notch
1	Wall mount, Rear, with wire notch
2	Table mount, no wire notch
3	Table mount, with wire notch
4	Wall mount, Front
6	Pole mount (35-38mm Pole)
7	Rail mount

S	Monitor Size
1	Small monitor, easiest positioning
3	Small monitor, extra holding force
2	Medium monitor

F	Finish
50	Black
76	White

AV - D32 - L 1 K S - F

Style	Model S	Tilt Torque N·m (in·lbf)		Swivel Torque N·m (in·lbf)		
		Reverse	Forward	At Monitor Mount	At Wall Mount	Center Joint
Tilt and swivel	1	7.9 (70)	1.13 (10)	4.3 (38)	N/A	N/A
	2	15.4 (136)	2.26 (20)	4.3 (38)	N/A	N/A
	3	8.6 (76)	6.0 (53)	4.3 (38)	N/A	N/A
Single arm	1	7.9 (70)	1.13 (10)	4.3 (38)	9.8 (87)	N/A
	2	15.4 (136)	2.26 (20)	4.3 (38)	9.8 (87)	N/A
	3	8.6 (76)	6.0 (53)	4.3 (38)	9.8 (87)	N/A
Double arm	1	7.9 (70)	1.13 (10)	4.3 (38)	9.8 (87)	9.8 (87)
	2	15.4 (136)	2.26 (20)	4.3 (38)	9.8 (87)	9.8 (87)
	3	8.6 (76)	6.0 (53)	4.3 (38)	9.8 (87)	9.8 (87)

Material and Finish

Aluminum alloy, powder coated

Performance Details

Cycle performance: 20,000 cycles. See trade drawing for details.

Note: Double Arm not recommended for monitors over 5.4 kg (12 lb)

Max. dynamic working load:

Model 1, 3: 70N (15.7lbf)

Model 2: 100N (22.5lbf)

Average ultimate load:

Tilt/Swivel: 1845N (415lbf)

Single Arm: 1600N (360lbf)

Double Arm: 755N (170lbf)

For mounting options and installation detail please refer to pages 84-85



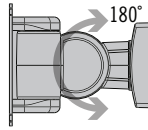
AV Series Dynamic Mounting Arm

Tilt and swivel · Single arm · Double arm · Heavy Duty

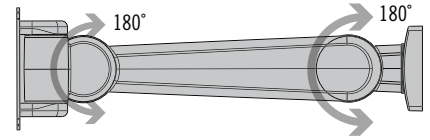
- **Intuitive grab and move operation enhances the user experience**
No knobs or tools required to reposition the monitor
Precise control of operating effort ensures ideal “feel” and eliminates “drift”
Holds securely, even in applications with dynamic loading
- **Consistent repeatable operation**
- **Fully enclosed for optimum cleanability**
- **Snap-on wire management cover**
- **Factory assembled and ready for use**

For mounting options and installation detail please refer to pages 84-85

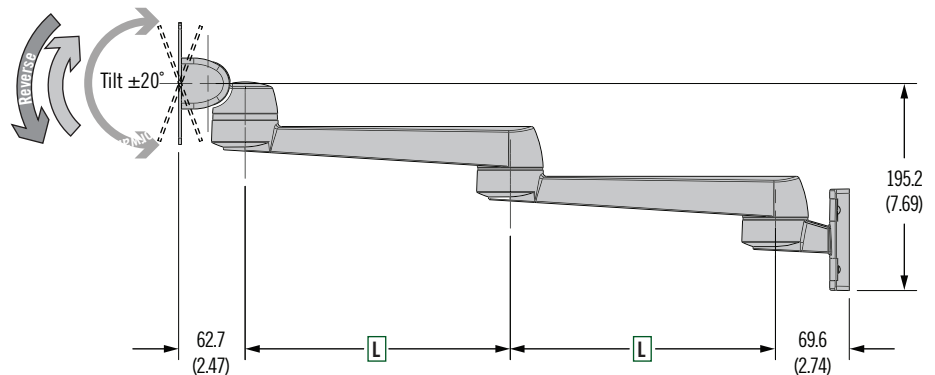
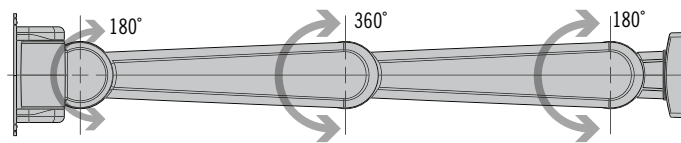
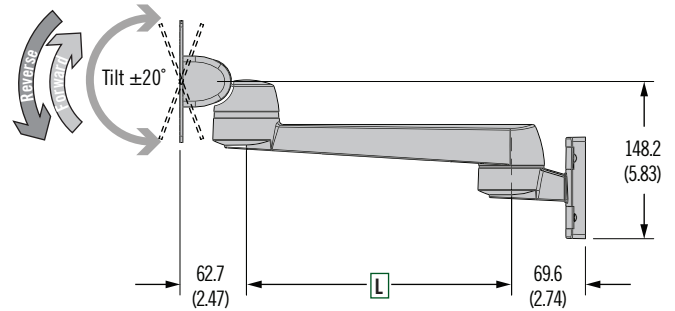
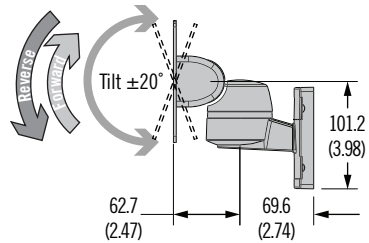
Tilt and Swivel



Single Arm



Double Arm



AV Series Dynamic Mounting Arm

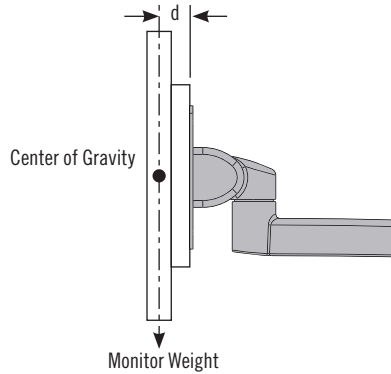
Tilt and swivel · Single arm · Double arm · Heavy Duty



Specification and Selection

Step 1

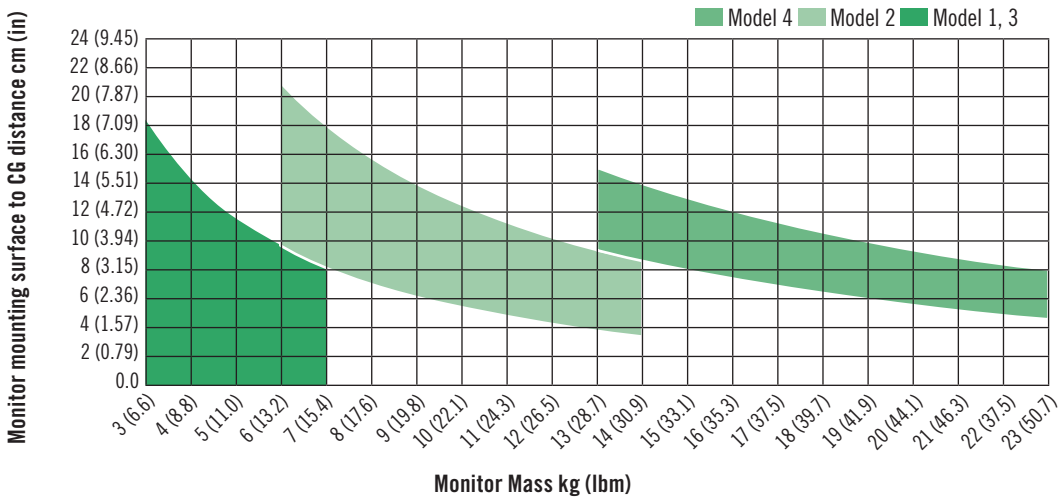
Determine monitor weight and distance (d) from mounting surface to center of gravity.



Step 2

Use chart below to select model (1, 2, 3 or 4).

Note: Double Arm not recommended for monitors over 18 kg (39 lb)



Step 3

Complete part number by selecting length and color options below.

L	Length & Function
13K	Tilt / swivel
25A	250mm Single arm
33A	325mm Single arm
50D	500mm Double arm
65D	650mm Double arm

K	Mounting style
4	Wall mount, Front
6	Pole mount (35-38mm Pole)
7	Rail mount

Style	Model	Tilt Torque N-m (in-lbf)		Swivel Torque N-m (in-lbf)		
		Reverse	Forward	At Monitor Mount	At Wall Mount	Center Joint
Tilt and swivel	1	7.9 (70)	1.3 (10)	3 (27)	N/A	N/A
	2	15.4 (136)	2.26 (20)	3 (27)	N/A	N/A
	3	8.6 (76)	6.0 (53)	3 (27)	N/A	N/A
	4	23.1 (204)	7 (62)	3 (27)	N/A	N/A
Single arm	1	7.9 (70)	1.3 (10)	3 (27)	6 (53)	N/A
	2	15.4 (136)	2.26 (20)	3 (27)	6 (53)	N/A
	3	8.6 (76)	6.0 (53)	3 (27)	6 (53)	N/A
	4	23.1 (204)	7 (62)	3 (27)	6 (53)	N/A
Double arm	1	7.9 (70)	1.3 (10)	3 (27)	6 (53)	3 (27)
	2	15.4 (136)	2.26 (20)	3 (27)	6 (53)	3 (27)
	3	8.6 (76)	6.0 (53)	3 (27)	6 (53)	3 (27)
	4	23.1 (204)	7 (62)	3 (27)	6 (53)	3 (27)

AV - D40 - L 1 K S - F

S	Monitor size
1	Small monitor, easiest positioning
3	Small monitor, extra holding force
2	Medium monitor
4	Large monitor

F	Finish
50	Black
76	White



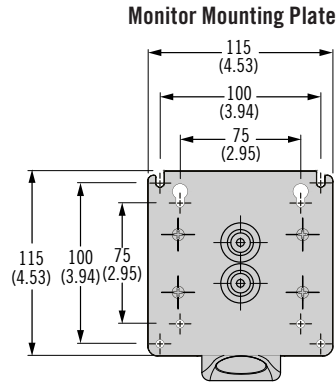
AV Series Dynamic Mounting Arm

Tilt and swivel · Single arm · Double arm · Mounting details

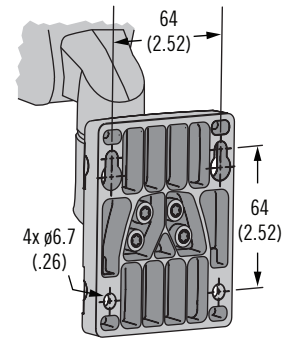
• Mounting details



Mounting Options



Wall mount front fastened K=4



Wall Mount, Rear Fastened K=0

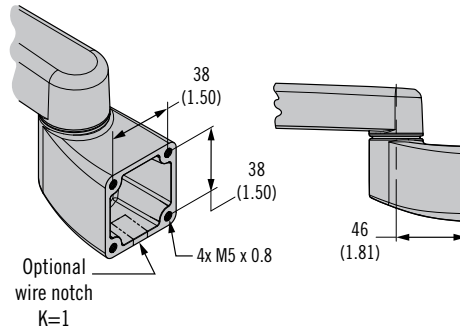
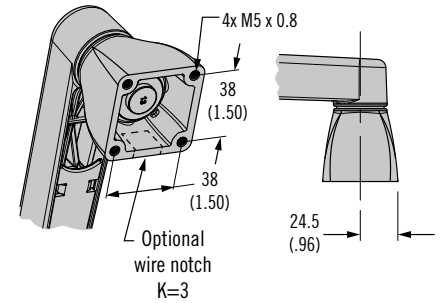
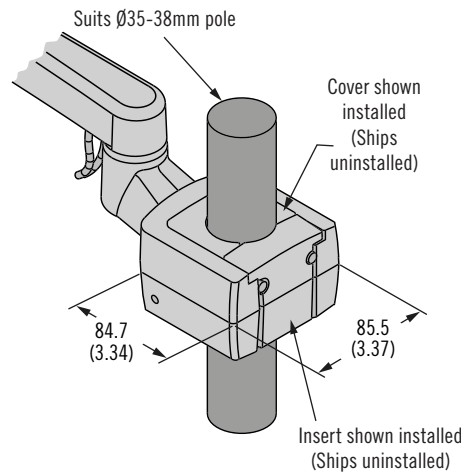


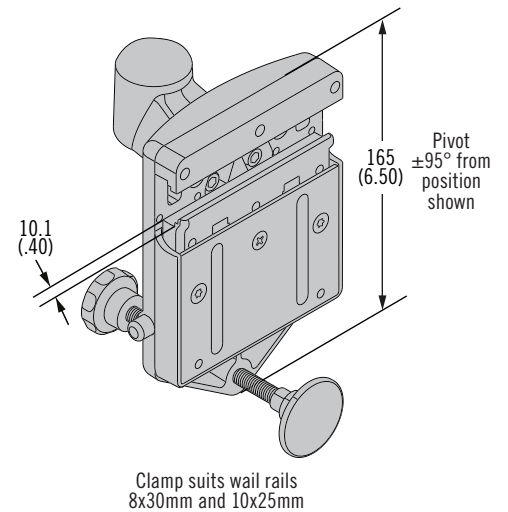
Table Mount K=2



Pole Mount K=6



Rail Mount K=7

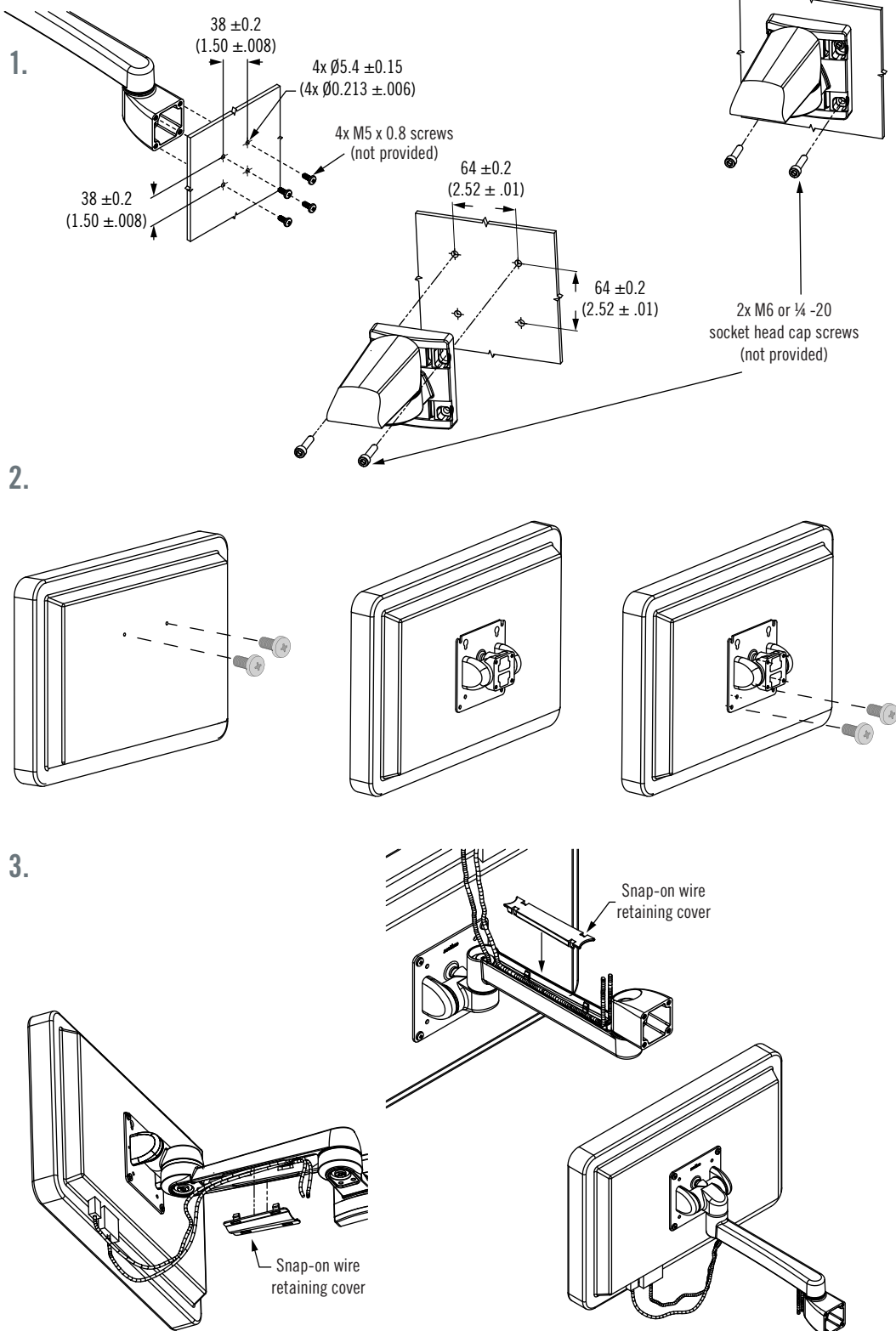


AV Series Dynamic Mounting Arm

Tilt and swivel · Single arm · Double arm · Installation details



Installation



• Mounting details

