



B8 Grab Handle

Large · Surface mount

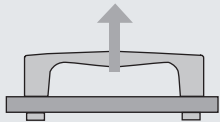
- Front or rear concealed installation
- Ergonomic, comfortable grip
- High strength, light-weight solution

Material and Finish

Handle: ABS plastic, black
Screws: Steel, zinc plated

Performance Details

Maximum static load: 775 N
(175 lbf)



Flammability rating: UL94-HB

Operating temperature range:
-40°C (-40°F) to 60°C (140°F)

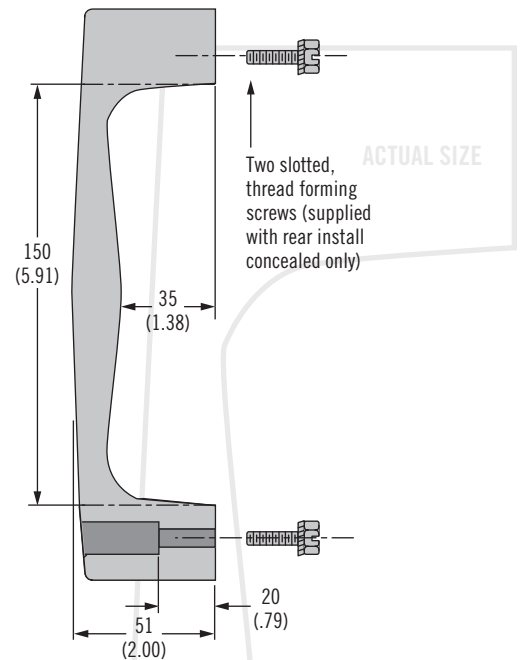
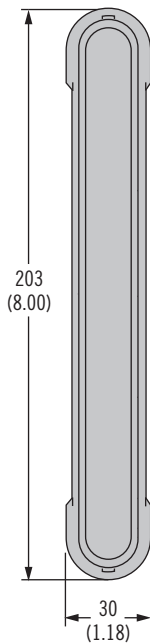
Installation Notes

Maximum tightening torque of screws:

Rear install concealed only
4.0 N·m (35 in·lbf)

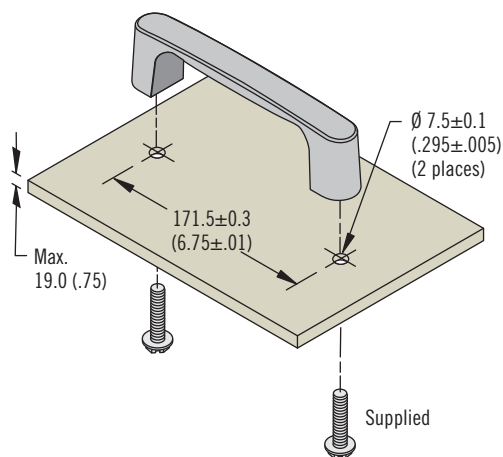
Notes

Bulk packaged

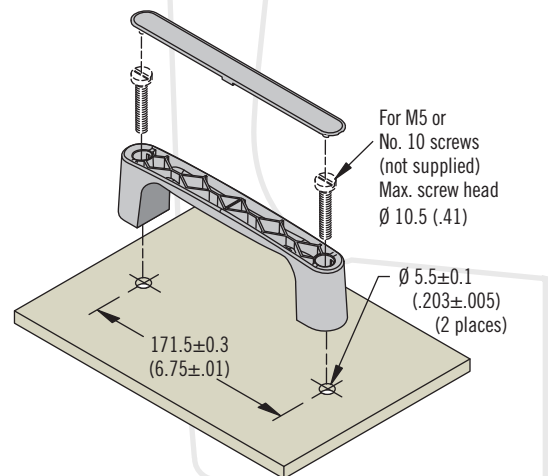


Part Number	
Rear Install Concealed	Front Install Concealed
B8-66-3	B8-63-3

Rear Install Concealed

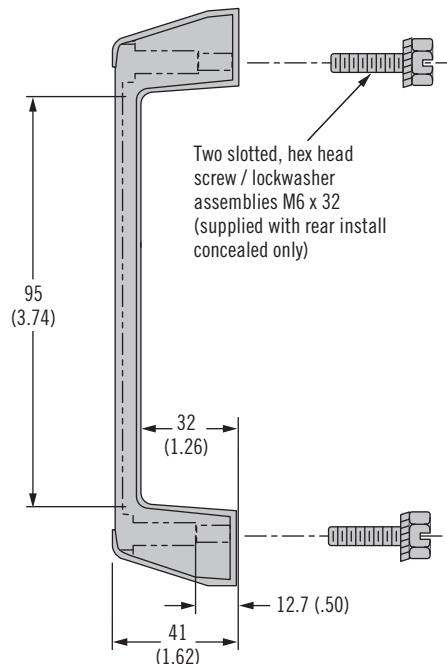
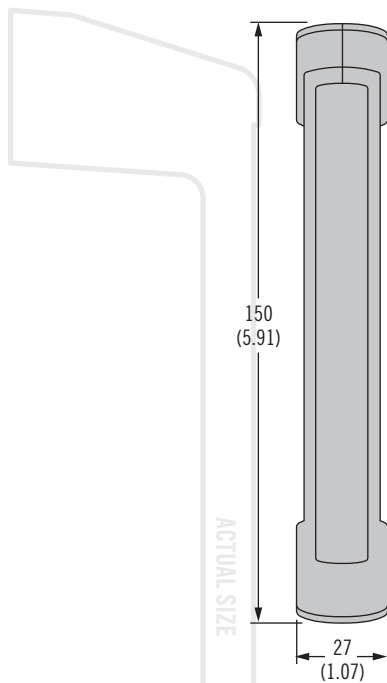


Front Install Concealed



B8 Grab Handle

Small · Surface mount



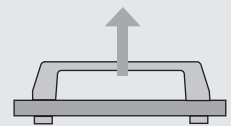
- Front or rear concealed installation
- Light-weight

Material and Finish

Handle: ABS plastic, black
Screws: Steel, zinc plated

Performance Details

Maximum static load: 550 N (125 lbf)



Flammability rating: UL94-HB

Operating temperature range:
-50°C (-60°F) to 60°C (140°F)

Installation Notes

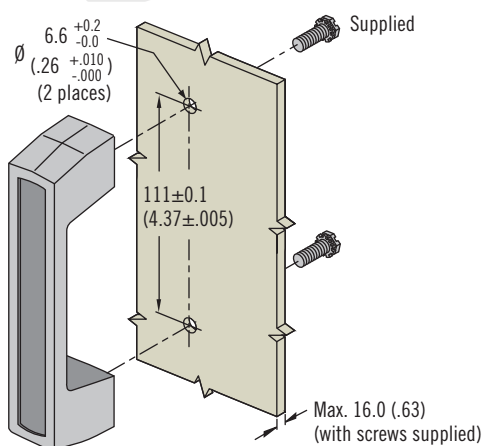
Rear install concealed:
M6 x 32 screw assembly supplied.
Maximum tightening torque of screws: 4.0 N·m (35 in·lbf).
For door thickness greater than 16 (.63) calculate screw length using the following formula:
Door thickness + 16 (.63)

Notes

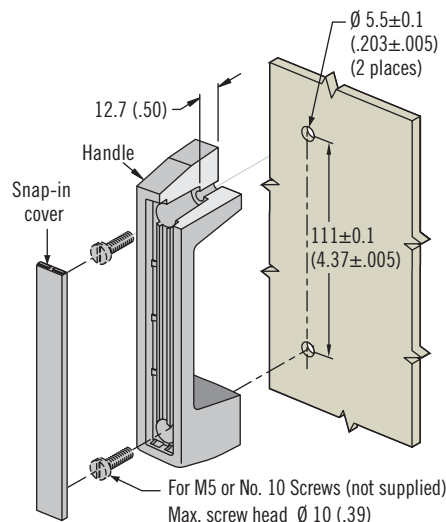
Bulk packaged

Part Number	
Rear Install Concealed	Front Install Concealed
B8-45-3	B8-43-3

Rear Install Concealed

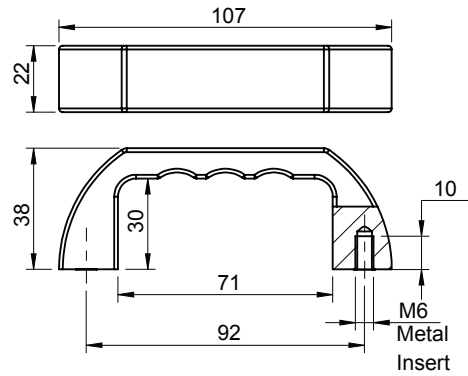


Front Install Concealed

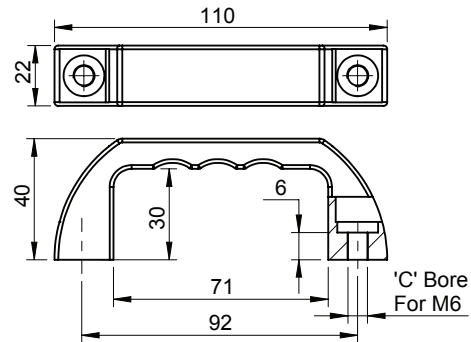


Handles

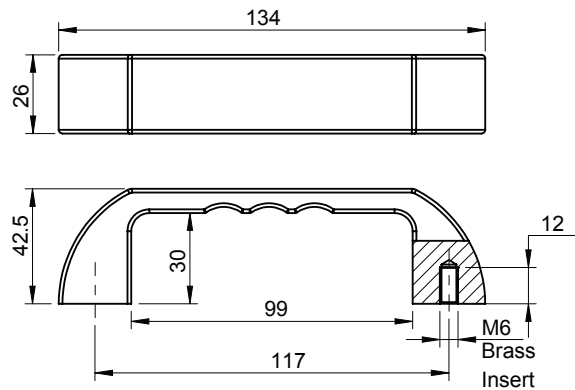
B8 Grab Handle



Product Code	Material	Load Capacity (Kg)
B8-DHURI-92	Polyamide	182



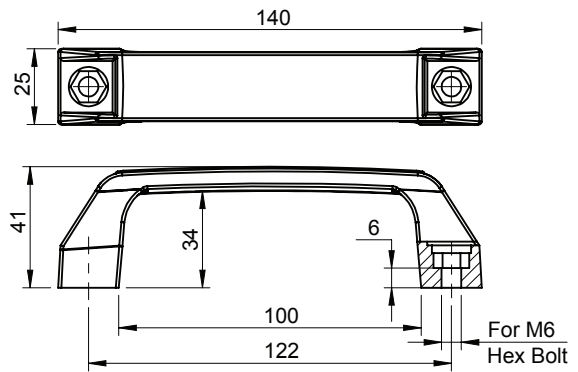
Product Code	Material	Load Capacity (Kg)
B8-DHURS-92	Polyamide	250



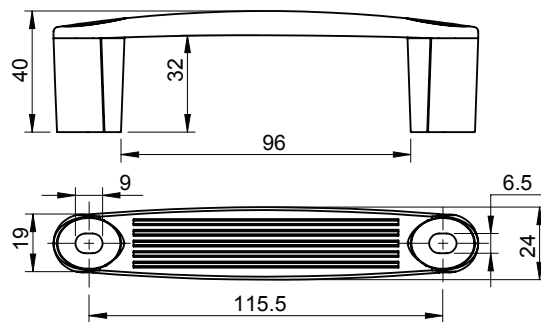
Product Code	Material	Load Capacity (Kg)
B8-DHURI-117	Polyamide	170

Handles

B8 Grab Handle

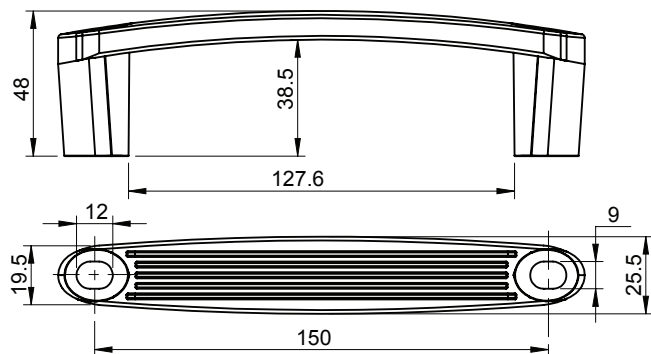


Product Code	Material	Load Capacity (Kg)
B8-DHURH-122	Polyamide	200



Product Code	Material	Load Capacity (Kg)
B8-DHUA-117-C	Polyamide	75

Standard Cap Colour is Black. Blue, Red & Yellow Caps are available on a minimum order of 50 nos each.

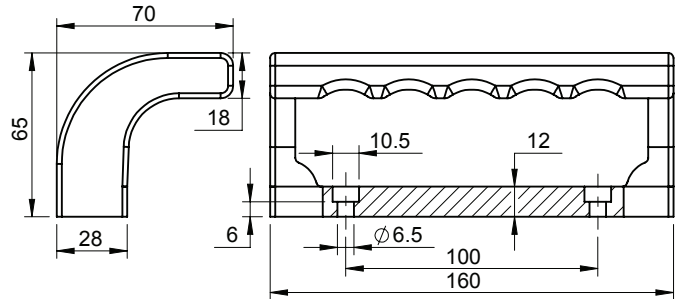


Product Code	Material	Load Capacity (Kg)
B8-DHUA-150-C	Polyamide	100

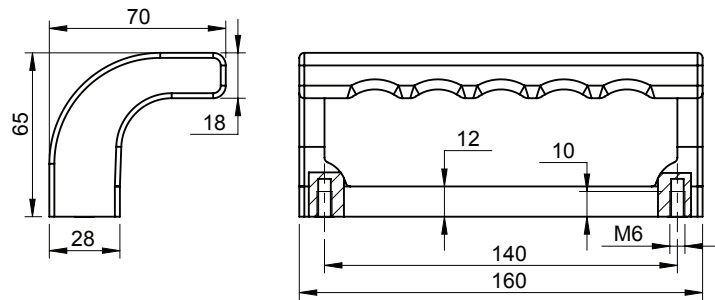
Standard Cap Colour is Black. Blue, Red & Yellow Caps are available on a minimum order of 50 nos each.

Handles

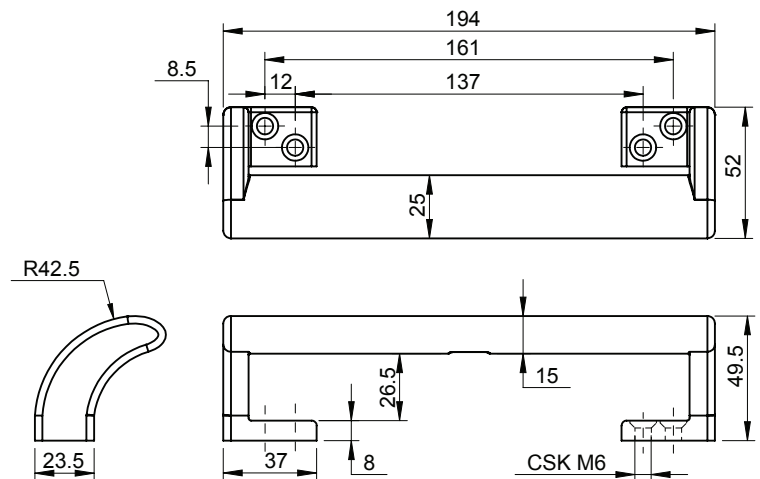
B8 Angular Handle



Product Code	Material
B8-DHAS-100	Polyamide



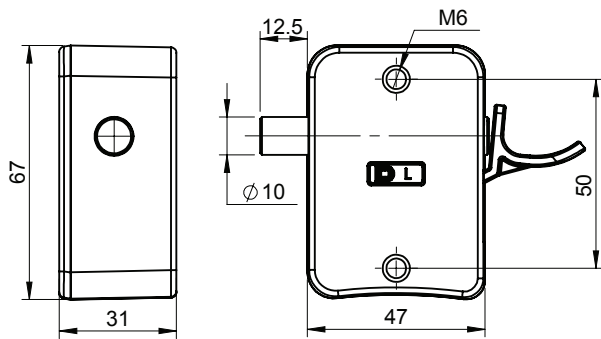
Product Code	Material	Insert Material
B8-DHAI-140	Polyamide	MS



Product Code	Material	Finish
B8-DZAH-195-PC	Zinc	Black PC

Handles

B8 Sliding Window Latch



Product Code	Material	Cover Material	Finish	Locking Stroke
B8-DZWC2-L	Zinc	Polyamide	Black PC	12.5
B8-DZWC2-R	Zinc	Polyamide	Black PC	12.5