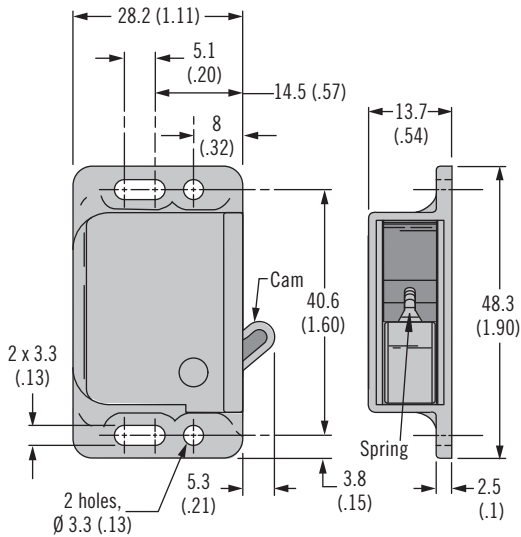


C3 Push-to-Close Latch

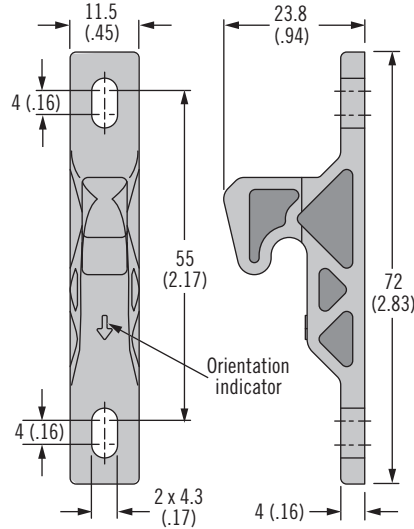
Pull-to-open · Grabber catch · Side mount



Catch



Keeper



- Spring-loaded over-center latching
- One assembly includes catch and keeper

Material and Finish

Housing: PC/ABS or glass-filled nylon

Keeper: Mineral filled nylon

Performance Details

Operating temperature range:

-30°C (-20°F) to 60°C (140°F)

Flammability rating: UL94-HB

Installation Notes

Max. tightening torque on mounting screws: (not supplied)

Catch: 1.1 N·m (9.7in·lbf)

Keeper: 2.8 N·m (24.8in·lbf)

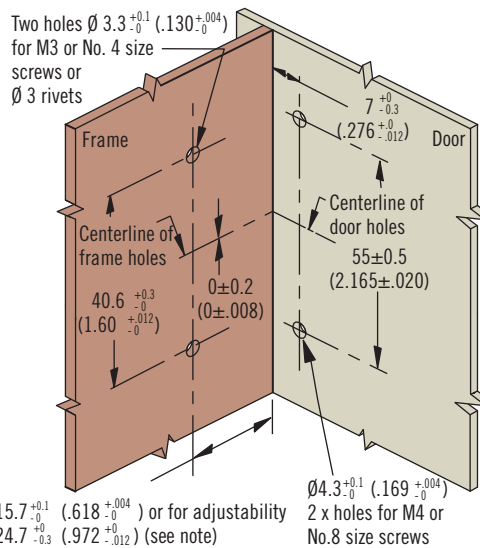
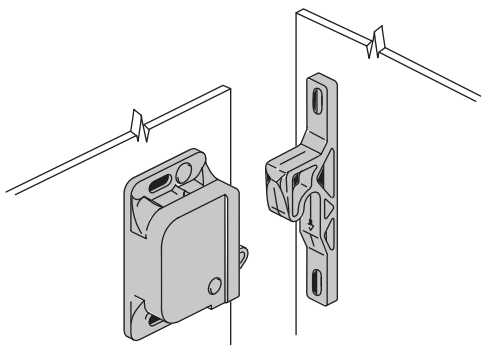
Orient **keeper** to latch. The arrow on the keeper should point towards the cam. Mount to door and adjust for smooth latching.

Min. distance from frame (or surface on which catch sub-assembly is mounted) to centreline of door hinge is 150 (5.9)



Right Side Installation Shown

Invert catch and keeper for left side installation



Note: These holes and dimensions are used only if adjustability through the use of slotted holes in catch is desired.

Approximate Pull-Up Force	Spring Colour	Part Number
13 N	Blue	C3-803
22 N	Silver	C3-805
44 N	Black	C3-810

Part Number

See table



C3 Push-to-Close Latch

Pull-to-open · Grabber catch with integral Microswitch

- Opens and closes switch contacts with door operation
- One assembly includes catch and keeper
- Spring loaded over-centre latching

Material and Finish

Housing: PC/ABS or glass-filled nylon

Keeper: Mineral filled nylon

Performance Details

Operating temperature range:
-40°C (-40°F) to 60°C (140°F)

Flammability rating: UL94-V0

Installation Notes

Max. tightening torque on mounting screws (not supplied):

Catch 1.1 N·m (9.7 in·lbf)

Keeper 2.8 N·m (24.8 in·lbf)

Orient **keeper** to latch. The arrow on the keeper should point towards the cam. Mount to door and adjust for smooth latching.

Notes

This product is specifically designed to be used as a mechanical grabber catch with an electric switch. The switch is designed to operate an indicator light or form part of a non-safety related logic circuit. This is not designed for use as a safety interlock.

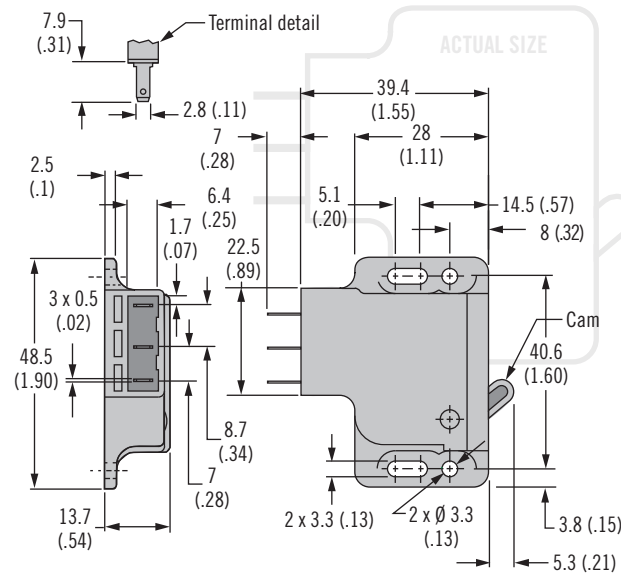
Terminal cover is used for protection during shipping only. Use strain relief on wires.

Min. distance from frame (or surface on which catch sub-assembly is mounted) to centreline of door hinge is 150 (5.9)

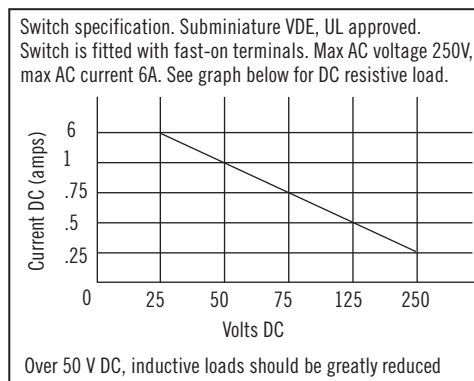
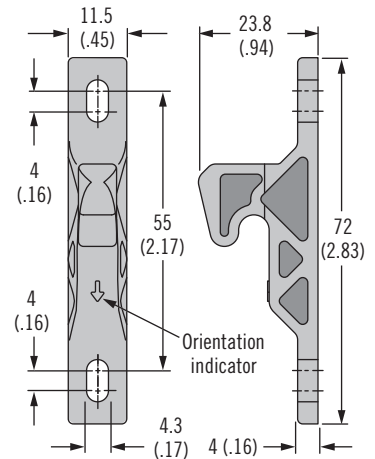
Part Number

See table

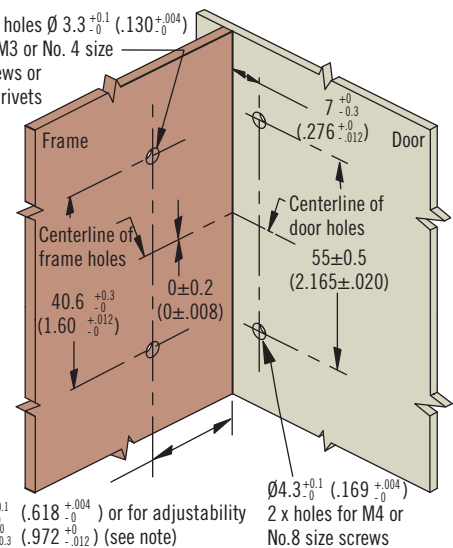
Catch



Keeper



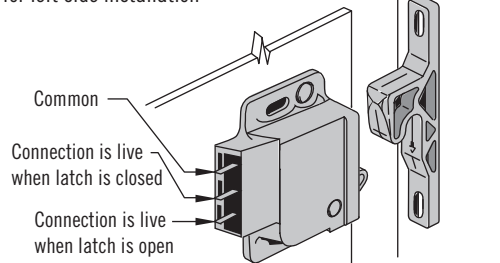
Two holes $\varnothing 3.3^{+0.1}_{-0} (.130^{+0.004})$ for M3 or No. 4 size screws or $\varnothing 3$ rivets



Note: These holes and dimensions are used only if adjustability through the use of slotted holes in catch is desired.

Right Side Installation Shown

Invert catch and keeper for left side installation



Approximate Pull-Up Force	Spring Colour	Part Number
13 N (3 lbf)	Blue	C3-1803
22 N (5 lbf)	Silver	C3-1805
44 N (10 lbf)	Black	C3-1810