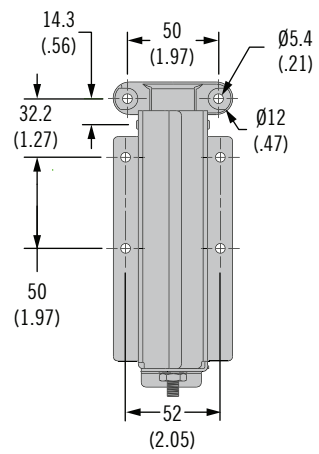


CA Hinge

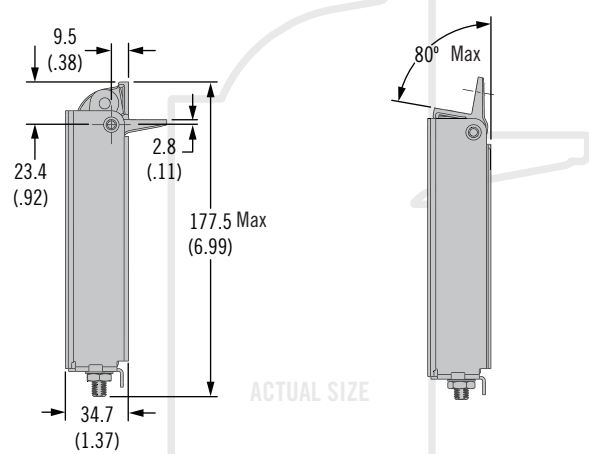
Position control · Constant torque · Counterbalanced



Closed Position

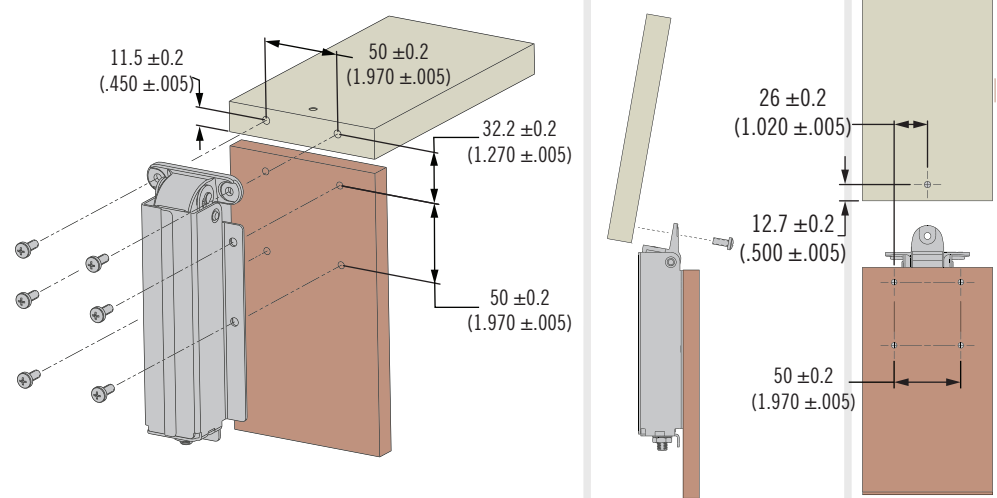


Open Position

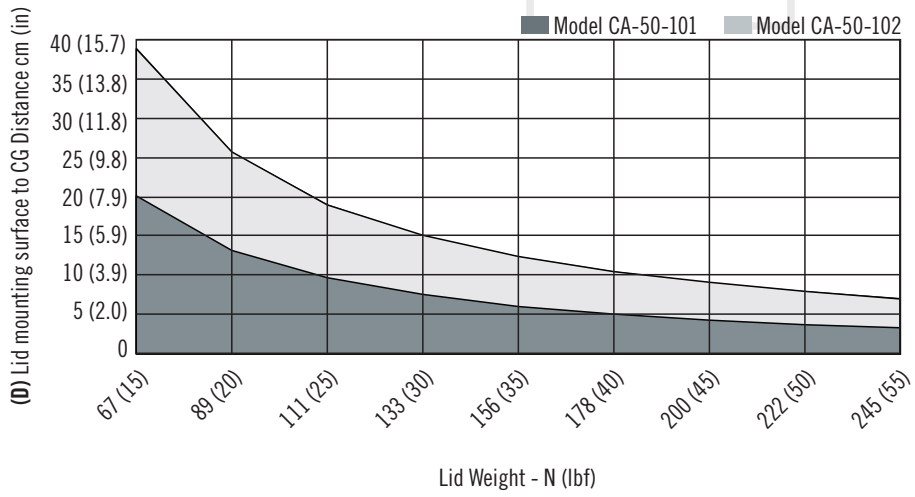


ACTUAL SIZE

Panel Preparation



CA-50 Hinge Model Selection Guide - See Fig.1



- Holds in every position
- Counterbalance spring allows easy opening
- Long cycle life



Material and Finish

Steel, black powder coated

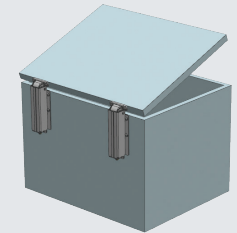
Performance Details

Cycle performance: 20,000 cycles
See trade drawing for details.

Installation Notes

See trade drawing for instructions on setting spring preload.
Installation with M5 or No. 10 screws (not supplied).

Application



Part Number

See table

Part Number	Max Lift Assistance Per Hinge N·m (in·lbf)
CA-50-101-50	9.4 (83)
CA-50-102-50	17.7 (157)

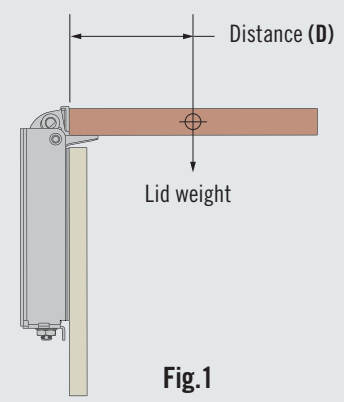


Fig.1