

E2 Push-to-Close Latch

Push-button to open · Hidden panel latching system

- Concealed latch points
- Door ejection feature
- Accommodates misalignment
- Single or two point latching

Material and Finish

Steel, zinc plated and thermoplastic, white, aluminium, natural

Performance Details

Keeper style	Static load	Ultimate load
Fixed	1300 N (300 lbf)	2200 N (500 lbf)
Floating	750 N (170 lbf)	1400 N (310 lbf)

Operating temperature range: -18°C (-0°F) to 120°C (250°F)

Flammability rating: UL94-V0

Installation Notes

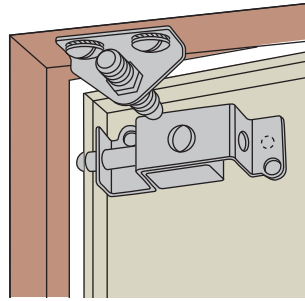
See www.southco.com/e2

*Nominal keeper location from inside surface of door.

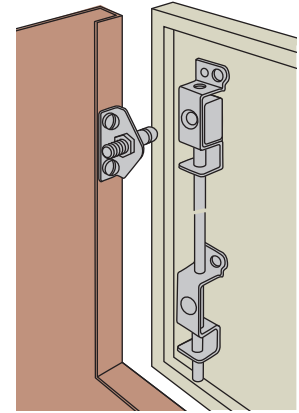
Adjustable 6.4 (.25) either way to allow for variations in mounting, gasketing, etc

Available in Two Versions - Near Edge and Remote

Near Edge

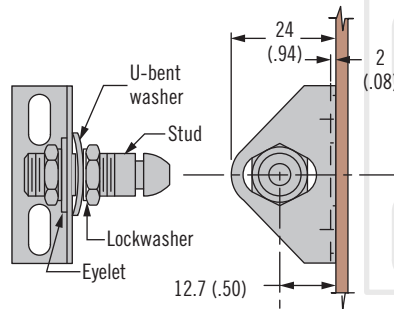


Remote

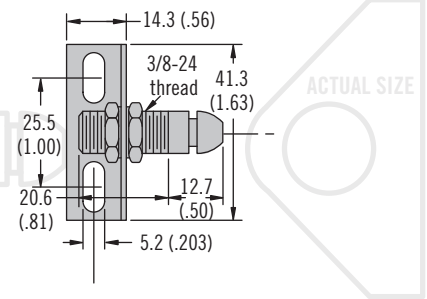


1. Select Keeper

Floating Keeper for Hinged Panels

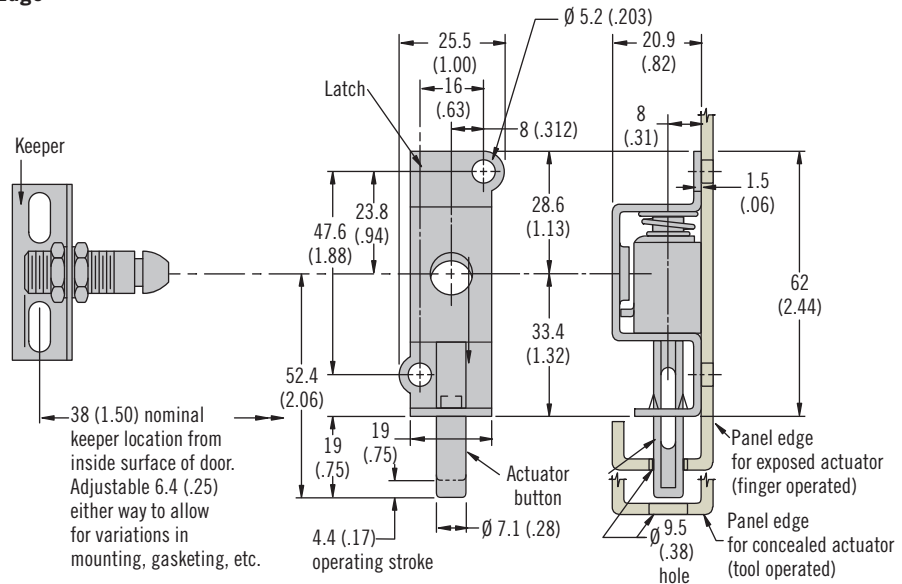


Fixed Keeper for Lift-Off Panels



2. Determine Latch Location - Near Edge or Remote (Single or Two Point)

Near Edge



Near Edge Complete Assembly Part Number	
With Fixed Keeper	With Floating Keeper
E2-50-101-10	E2-50-101-20

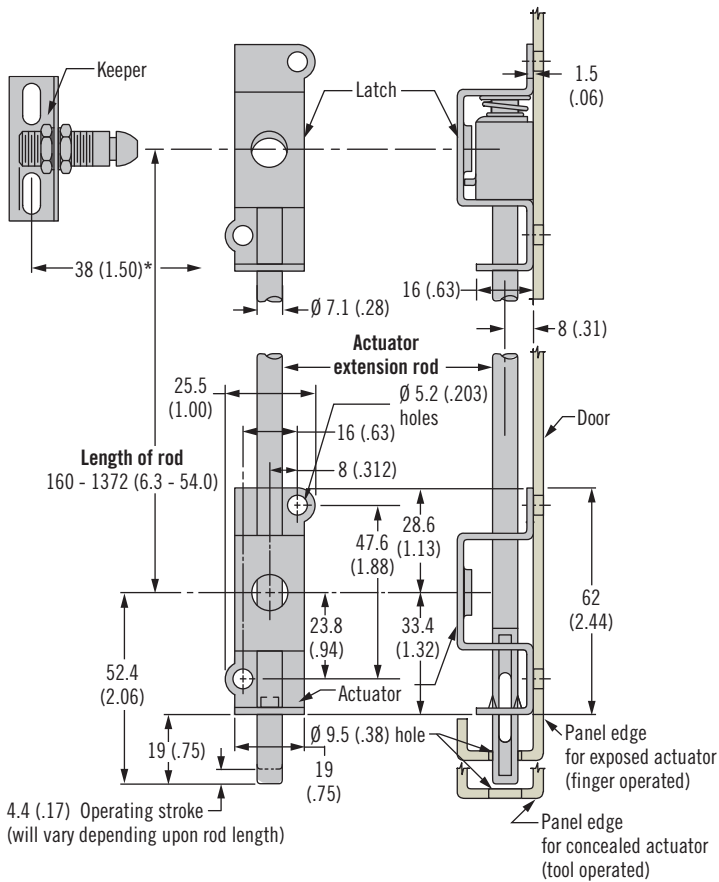
A complete near edge assembly comes with keeper

Dimensions in millimeters (inch) unless otherwise stated

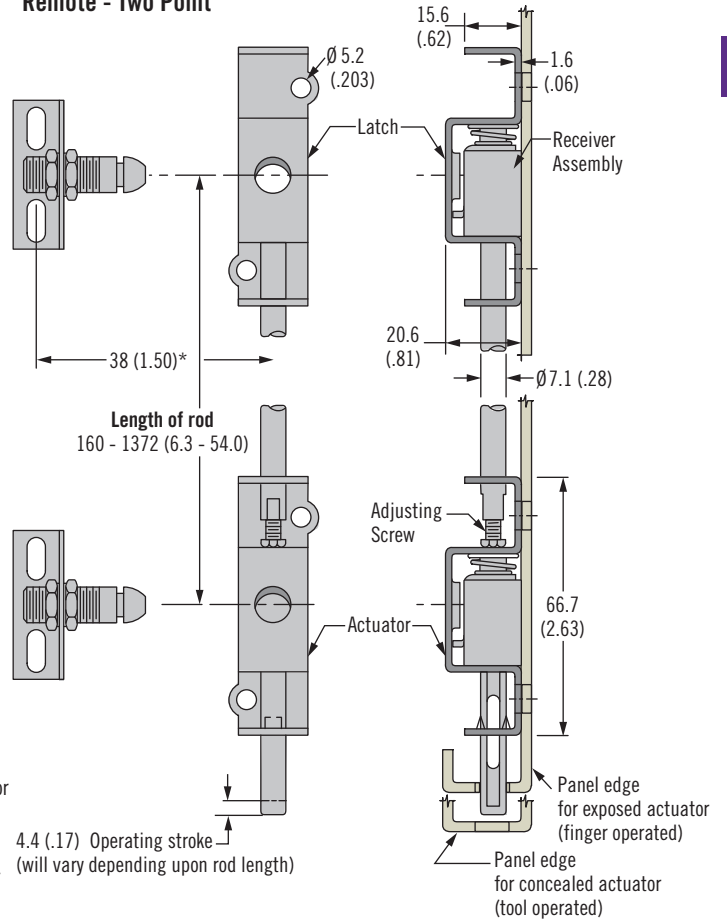
Part Number

See table

Remote - Single Point



Remote - Two Point



Remote Single Point Part Number	
Fixed keeper	E2-55-101-10
Floating keeper	E2-55-102-10
Rod 500 mm	E2-46-0500-16
Rod 1250 mm	E2-46-1250-16
Latch	E2-92-101
Actuator	E2-91-101

Remote Two Point Part Number	
Fixed keeper	E2-55-101-10
Floating keeper	E2-55-102-10
Rod 500 mm	E2-42-0500-16
Rod 1250 mm	E5-42-1250-16
Latch	E2-92-102
Actuator	E2-93-102

A complete remote single point assembly consists of 4 components: keeper, rod, latch and actuator

A complete remote two point assembly consists of 6 components: keeper (quantity 2), latch (quantity 2), rod and actuator.

* Adjustment formula is length of rod minus 30mm

To order rod lengths other than the standard lengths, use part number:

E2-42-XXX-16

(XXX = length in mm)

Min. = 160 mm

Max. = 1372 mm

Min. order = 50 units