



# E6 Hinge

Position control · Constant torque

- Holds in every position
- No adjustment required
- Long cycle life

### Material and Finish

Large: Zinc alloy, black paint  
 Medium: Aluminum alloy, black paint

### Performance Details

Cycle performance: 20,000 cycles within ± 20% of static torque specification

#### Radial load:

Large:  
 Maximum static load: 200 N (45 lbf)  
 Average ultimate load: 11000 N (2470 lbf)

Medium:  
 Maximum static load: 155 N (35 lbf)  
 Average ultimate load: 3000 N (675 lbf)

#### Axial load:

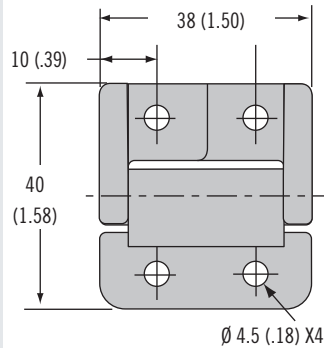
Large:  
 Maximum static load: 200 N (45 lbf)  
 Average ultimate load: 2800 N (630 lbf)

Medium:  
 Maximum static load: 155 N (35 lbf)  
 Average ultimate load: 1600 N (360 lbf)

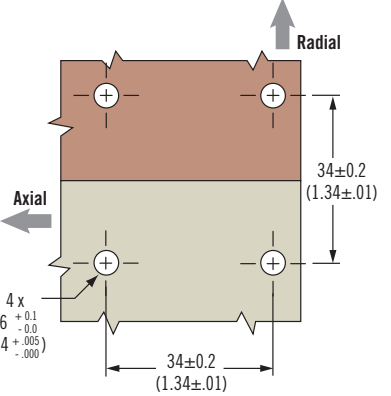
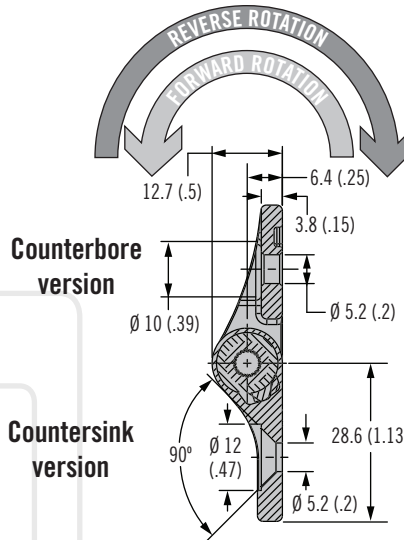
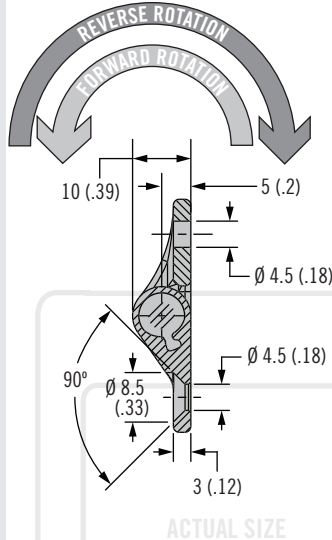
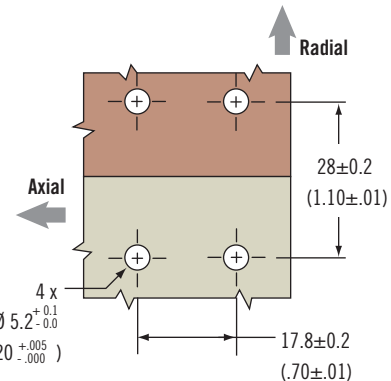
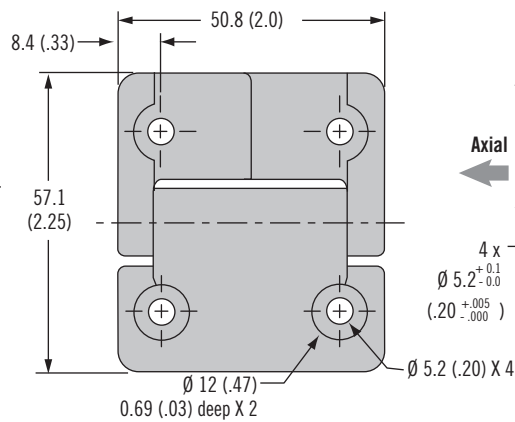
### Part Number

See table

### Medium



### Large



### Symmetric

|              | Part Number  |               | Symmetric Torque N·m |
|--------------|--------------|---------------|----------------------|
|              | Thru hole    | Countersink   |                      |
| Medium       | E6-10-200-50 | E6-10-200C-50 | Free operating       |
|              | E6-10-208-50 | E6-10-208C-50 | 0.9 (8)              |
|              | E6-10-212-50 | E6-10-212C-50 | 1.4 (12)             |
|              | E6-10-216-50 | E6-10-216C-50 | 1.8 (16)             |
|              | E6-10-220-50 | E6-10-220C-50 | 2.3 (20)             |
|              | Large        | E6-10-400-50  | E6-10-400C-50        |
| E6-10-416-50 |              | E6-10-416C-50 | 1.8 (16)             |
| E6-10-420-50 |              | E6-10-420C-50 | 2.3 (20)             |
| E6-10-430-50 |              | E6-10-430C-50 | 3.4 (30)             |

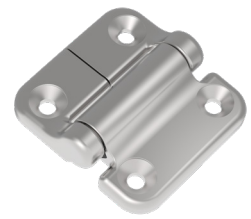
### Asymmetric

|               | Part Number   |                | Forward Torque N·m | Reverse torque N·m |          |
|---------------|---------------|----------------|--------------------|--------------------|----------|
|               | Thru hole     | Countersink    |                    |                    |          |
| Medium        | E6-10-212F-50 | E6-10-212FC-50 | 1.4 (12)           | 0.8 (7.2)          |          |
|               | E6-10-216F-50 | E6-10-216FC-50 | 1.8 (16)           | 1.1 (9.6)          |          |
|               | E6-10-220F-50 | E6-10-220FC-50 | 2.3 (20)           | 1.4 (12)           |          |
|               | E6-10-224F-50 | E6-10-224FC-50 | 2.7 (24)           | 1.6 (14.4)         |          |
|               | E6-10-212R-50 | E6-10-212RC-50 | 0.8 (7.2)          | 1.4 (12)           |          |
|               | E6-10-216R-50 | E6-10-216RC-50 | 1.1 (9.6)          | 1.8 (16)           |          |
|               | E6-10-220R-50 | E6-10-220RC-50 | 1.4 (12)           | 2.3 (20)           |          |
|               | E6-10-224R-50 | E6-10-224RC-50 | 1.6 (14.4)         | 2.7 (24)           |          |
|               | Large         | E6-10-420F-50  | E6-10-420FC-50     | 2.3 (20)           | 1.4 (12) |
|               |               | E6-10-430F-50  | E6-10-430FC-50     | 3.4 (30)           | 2.0 (18) |
| E6-10-440F-50 |               | E6-10-440FC-50 | 4.5 (40)           | 2.7 (24)           |          |
| E6-10-420R-50 |               | E6-10-420RC-50 | 1.4 (12)           | 2.3 (20)           |          |
| E6-10-430R-50 |               | E6-10-430RC-50 | 2.0 (18)           | 3.4 (30)           |          |

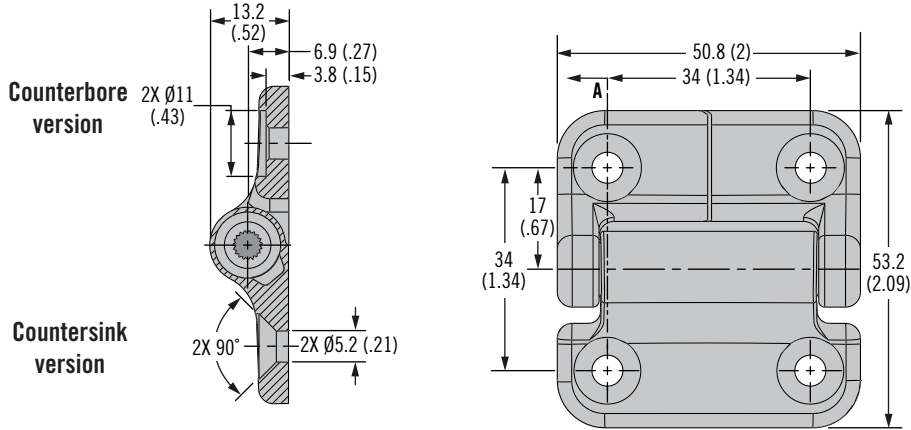
Dimensions in millimeters (inch) unless otherwise stated

# E6 Hinge

Position control · Constant torque

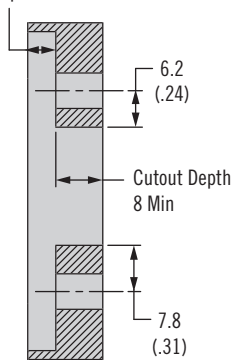


## Surface Mount

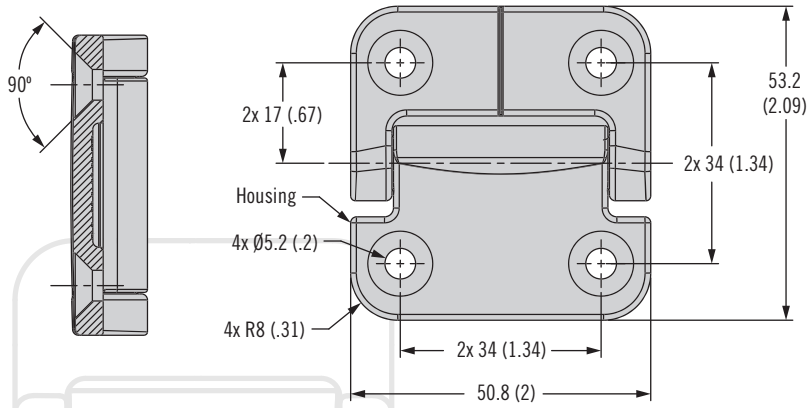


## Panel Preparation

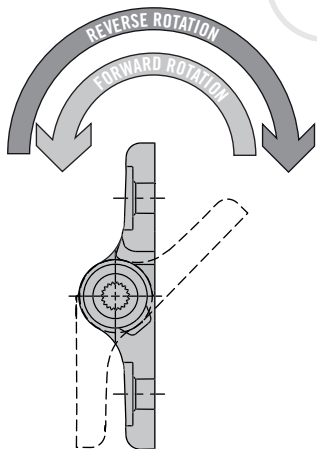
Panel Flush Mounting  
Depth of 4.75 recommended



## Flush Mount



ACTUAL SIZE



| Surface Mount              |                            | Flush Mount                |                            | Forward Torque<br>N·m (in·lbf) | Reverse Torque<br>N·m (in·lbf) |
|----------------------------|----------------------------|----------------------------|----------------------------|--------------------------------|--------------------------------|
| Counterbore<br>Part Number | Countersink<br>Part Number | Countersink<br>Part Number | Counterbore<br>Part Number |                                |                                |
| E6-70-400-XX               | E6-70-400-XX               | E6-73-400-XX               | E6-73-400-XX               | Free Swinging                  |                                |
| E6-70-408S-XX              | E6-71-408S-XX              | E6-73-408S-XX              | E6-73-408S-XX              | 0.90 (8.0)                     |                                |
| E6-70-416S-XX              | E6-71-416S-XX              | E6-73-416S-XX              | E6-73-416S-XX              | 1.81 (16.0)                    |                                |
| E6-70-420S-XX              | E6-71-420S-XX              | E6-73-420S-XX              | E6-73-420S-XX              | 2.26 (20.0)                    |                                |
| E6-70-430S-XX              | E6-71-430S-XX              | E6-73-430S-XX              | E6-73-430S-XX              | 3.39 (30.0)                    |                                |
| E6-70-420F-XX              | E6-71-420F-XX              | E6-73-420F-XX              | E6-73-420F-XX              | 2.26 (20.0)                    | 1.54 (13.6)                    |
| E6-70-430F-XX              | E6-71-430F-XX              | E6-73-430F-XX              | E6-73-430F-XX              | 3.39 (30.0)                    | 2.30 (20.4)                    |
| E6-70-440F-XX              | E6-71-440F-XX              | E6-73-440F-XX              | E6-73-440F-XX              | 4.52 (40.0)                    | 3.08 (27.3)                    |
| E6-70-420R-XX              | E6-71-420R-XX              | E6-73-420R-XX              | E6-73-420R-XX              | 1.54 (13.6)                    | 2.26 (20.0)                    |
| E6-70-430R-XX              | E6-71-430R-XX              | E6-73-430R-XX              | E6-73-430R-XX              | 2.30 (20.4)                    | 3.39 (30.0)                    |
| E6-70-440R-XX              | E6-71-440R-XX              | E6-73-440R-XX              | E6-73-440R-XX              | 3.08 (27.3)                    | 4.52 (40.0)                    |

- Holds in every position
- No adjustment required
- Long cycle life

## Material and Finish

Stainless steel  
Internal steel and plastic components

## Performance Details

Cycle performance: 20,000 cycles within  $\pm 20\%$  of static torque specification

Radial load:

Maximum static load: 200 N (45 lbf)

Average ultimate load:

13k N (2,900 lbf)

Axial load:

Maximum static load: 200 N (45 lbf)

Average ultimate load:

4k N (900 lbf)

## Part Number

See table

| XX | Finish     |
|----|------------|
| 24 | Natural    |
| 85 | High Gloss |
| 6  | Black      |



# E6 Hinge

Position control · Constant torque

- Holds in every position
- No adjustment required
- Long cycle life

## Material and Finish

Zinc alloy body with hardened steel internal components

## Performance Details

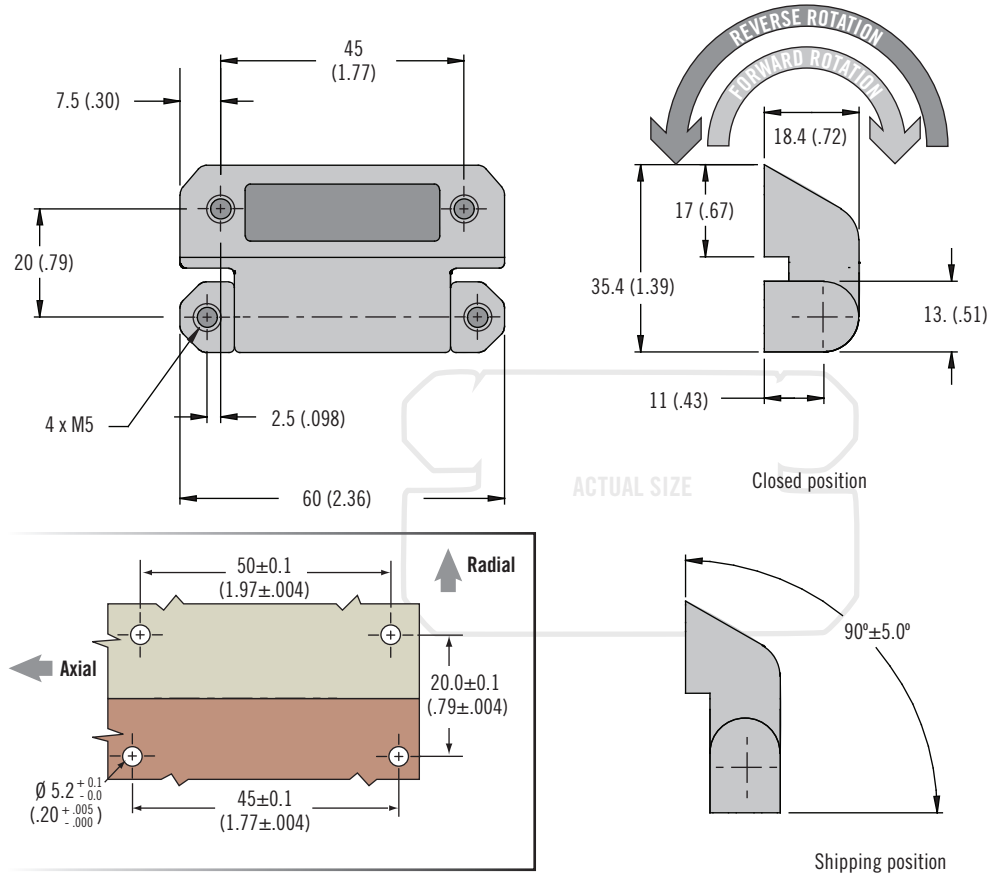
20,000 cycles within  $\pm 20\%$  of static torque specification

## Installation Notes

Screws not supplied

Calculate screw length using the following formula:

Door thickness + 6 (.236)



## Symmetric

| Part Number   |               | Symmetric Torque<br>N·m (in·lbf) |
|---------------|---------------|----------------------------------|
| Black         | Satin Chrome  |                                  |
| E6-60-400-50  | E6-60-400-20  | Free operating                   |
| E6-60-412S-50 | E6-60-412S-20 | 1.36 N·m (12 in·lbf)             |
| E6-60-420S-50 | E6-60-420S-20 | 2.26 N·m (20 in·lbf)             |
| E6-60-428S-50 | E6-60-428S-20 | 3.16 N·m (28 in·lbf)             |
| E6-60-436S-50 | E6-60-436S-20 | 4.07 N·m (36 in·lbf)             |

## Asymmetric

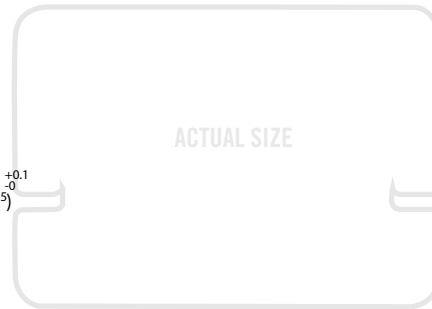
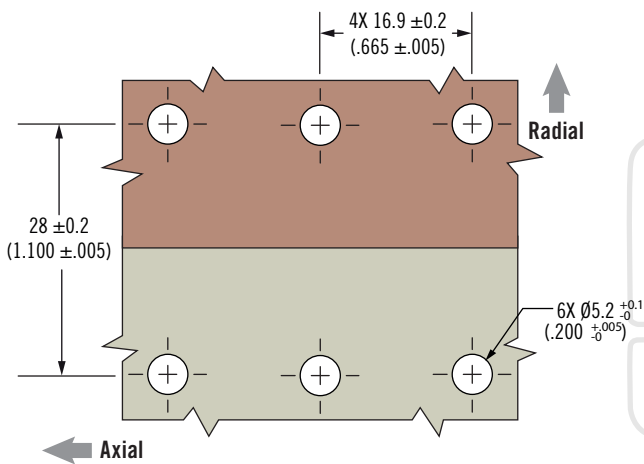
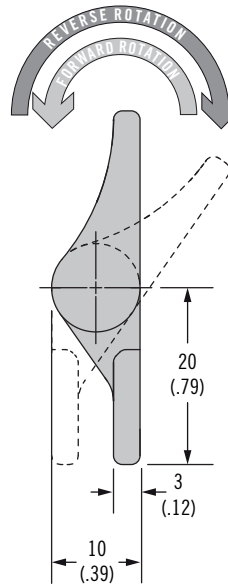
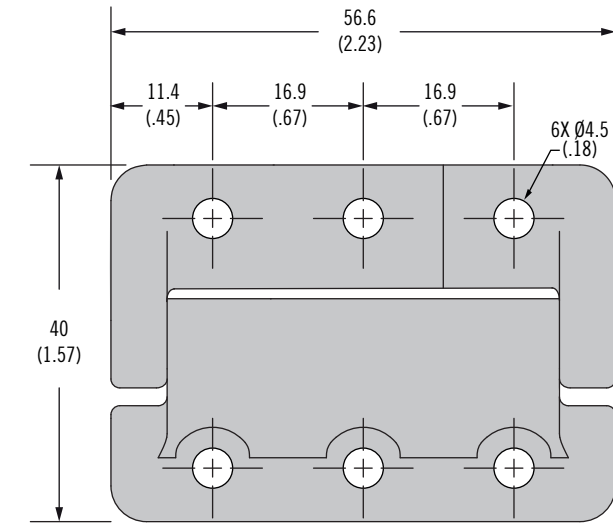
| Part Number   |               | Forward Torque<br>N·m (in·lbf) | Reverse Torque<br>N·m (in·lbf) |
|---------------|---------------|--------------------------------|--------------------------------|
| Black         | Satin Chrome  |                                |                                |
| E6-60-420F-50 | E6-60-420F-20 | 2.3 (20)                       | 1.4 (12)                       |
| E6-60-428F-50 | E6-60-428F-20 | 3.2 (28)                       | 1.9 (16.8)                     |
| E6-60-436F-50 | E6-60-436F-20 | 4.1 (36)                       | 2.4 (21.6)                     |
| E6-60-444F-50 | E6-60-444F-20 | 5 (44)                         | 3 (26.4)                       |
| E6-60-420R-50 | E6-60-420R-20 | 1.4 (12)                       | 2.3 (20)                       |
| E6-60-428R-50 | E6-60-428R-20 | 1.9 (16.8)                     | 3.2 (28)                       |
| E6-60-436R-50 | E6-60-436R-20 | 2.4 (21.6)                     | 4.1 (36)                       |
| E6-60-444R-50 | E6-60-444R-20 | 3 (26.4)                       | 5 (44)                         |

## Part Number

See table

# E6 Hinge

Position Control · Constant Torque



- Holds in every position
- No adjustment required
- Long cycle life



### Material and Finish

Aluminum alloy, black powder coat

### Performance Details

Cycle performance  
20,000 Cycles, see product drawing for details

Radial load:

Max. static load: 200 N (45 lbf)

Average ultimate load:

2200 N (500 lbf)

Axial load:

Max. static load: 200 N (45 lbf)

Average ultimate load:

1450 N (325 lbf)

### Part Number

See table

### Symmetric

| Part Number   | Symmetric Torque N·m (in·lbf) |
|---------------|-------------------------------|
| E6-10E-200-50 | Free operating                |
| E6-10E-208-50 | 0.9 (8)                       |
| E6-10E-212-50 | 1.4 (12)                      |
| E6-10E-216-50 | 1.8 (16)                      |
| E6-10E-220-50 | 2.3 (20)                      |
| E6-10E-224-50 | 2.7(24)                       |
| E6-10E-230-50 | 3.4 (30)                      |

### Asymmetric

| Part Number    | Forward Torque N·m (in·lbf) | Reverse Torque N·m (in·lbf) |
|----------------|-----------------------------|-----------------------------|
| E6-10E-212F-50 | 1.4 (12)                    | 0.8 (7.2)                   |
| E6-10E-216F-50 | 1.8 (16)                    | 1.1 (9.6)                   |
| E6-10E-220F-50 | 2.3 (20)                    | 1.4 (12)                    |
| E6-10E-224F-50 | 2.7 (24)                    | 1.6 (14)                    |
| E6-10E-230F-50 | 3.4 (30)                    | 2.0 (18)                    |
| E6-10E-240F-50 | 4.5 (40)                    | 2.7 (24)                    |
| E6-10E-212R-50 | 0.8 (7.2)                   | 1.4 (12)                    |
| E6-10E-216R-50 | 1.1 (9.6)                   | 1.8 (16)                    |
| E6-10E-220R-50 | 1.4 (12)                    | 2.3 (20)                    |
| E6-10E-224R-50 | 1.6 (14)                    | 2.7 (24)                    |
| E6-10E-230R-50 | 2.0 (18)                    | 3.4 (30)                    |
| E6-10E-240R-50 | 2.7 (24)                    | 4.5 (40)                    |



# E6 Hinge

Position control · Constant torque

- Holds in every position
- No adjustment required
- Long cycle life

### Material and Finish

Aluminum alloy, black powder coated

### Performance Details

Cycle performance: 20,000 cycles within ± 20% of static torque specification

Radial load:

Max. static load: 2,000 N (450 lbf)

Average ultimate load:

4000N (900lbf)

Axial load:

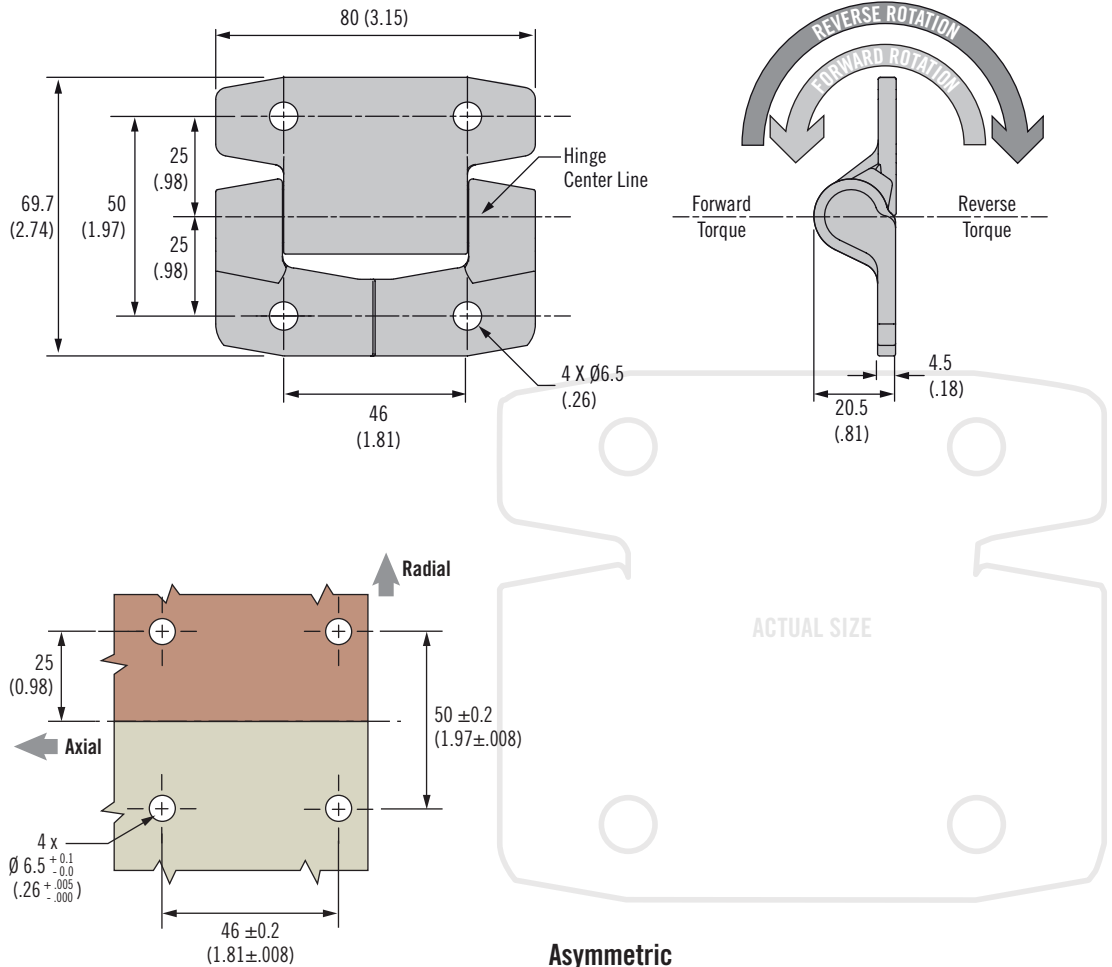
Max. static load: 500 N (110 lbf)

Average ultimate load:

9,000 N (2,023 lbf)

### Part Number

See table



### Symmetric

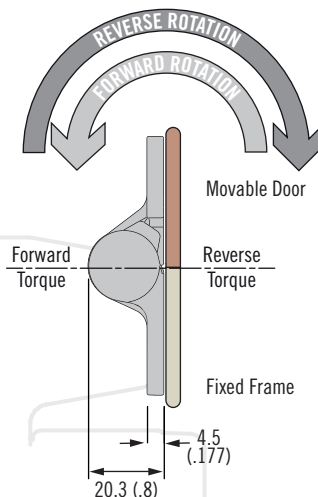
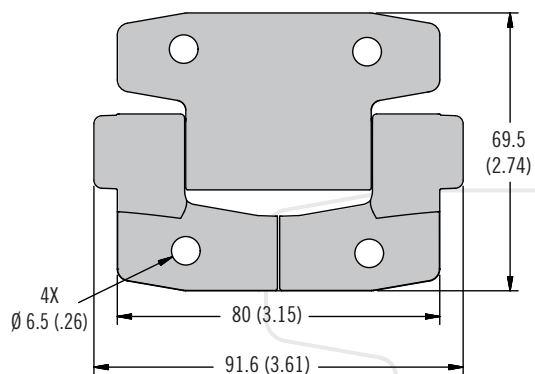
| Part Number   | Symmetric Torque N·m (in·lbf) |
|---------------|-------------------------------|
| E6-10-620S-50 | 2.3 (20.0)                    |
| E6-10-635S-50 | 3.9 (35.0)                    |
| E6-10-650S-50 | 5.7 (50.0)                    |
| E6-10-665S-50 | 7.3 (65.0)                    |
| E6-10-680S-50 | 9.0 (80.0)                    |

### Asymmetric

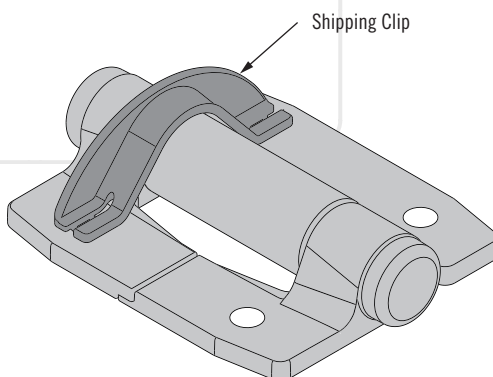
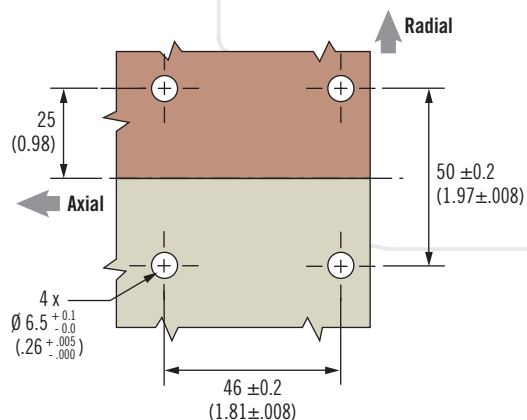
| Part Number    | Forward Torque N·m (in·lbf) | Reverse Torque N·m (in·lbf) |
|----------------|-----------------------------|-----------------------------|
| E6-10-620F-50  | 2.3 (20.0)                  | 1.7 (14.9)                  |
| E6-10-635F-50  | 3.9 (35.0)                  | 3.0 (26.7)                  |
| E6-10-650F-50  | 5.7 (50.0)                  | 4.0 (35.7)                  |
| E6-10-665F-50  | 7.3 (65.0)                  | 5.4 (47.5)                  |
| E6-10-680F-50  | 9.0 (80.0)                  | 6.7 (59.4)                  |
| E6-10-695F-50  | 10.7 (95.0)                 | 7.8 (68.9)                  |
| E6-10-6110F-50 | 12.4 (110.0)                | 9.0 (79.8)                  |
| E6-10-620R-50  | 1.7 (14.9)                  | 2.3 (20.0)                  |
| E6-10-635R-50  | 3.0 (26.7)                  | 3.9 (35.0)                  |
| E6-10-650R-50  | 4.0 (35.7)                  | 5.7 (50.0)                  |
| E6-10-665R-50  | 5.4 (47.5)                  | 7.3 (65.0)                  |
| E6-10-680R-50  | 6.7 (59.4)                  | 9.0 (80.0)                  |
| E6-10-695R-50  | 7.8 (68.9)                  | 10.7 (95.0)                 |
| E6-10-6110R-50 | 9.0 (79.8)                  | 12.4 (110.0)                |

# E6 Hinge

Position Control · Constant Torque · One Way



ACTUAL SIZE



- Holds in every position
- No adjustment required
- Long cycle life
- Minimal resistance in free direction

## Material and Finish

Aluminum alloy, black powder coated

## Performance Details

Cycle performance: 20,000 Cycles, see trade drawing for details

Radial load:

Max. static load: 2000 N (450 lbf)

Average ultimate load:  
3000N (675lbf)

Axial load:

Max. static load: 500 N (110 lbf)

Average ultimate load:  
6000 N (1300 lbf)

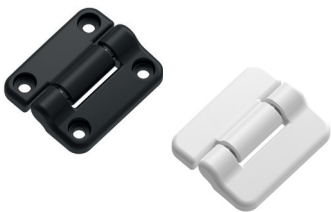
## Installation Notes

Do not remove shipping clip until hinge is secured by first pair of screws. Discard or recycle shipping clip when removed.

## Part Number

See table

| Part Number     | Forward Torque<br>N·m (in·lbf) | Reverse Torque<br>N·m (in·lbf) |
|-----------------|--------------------------------|--------------------------------|
| E6-10-620F0-50  | 2.3 (20)                       | Free                           |
| E6-10-635F0-50  | 3.9 (35)                       | Free                           |
| E6-10-650F0-50  | 5.7 (50)                       | Free                           |
| E6-10-665F0-50  | 7.3 (65)                       | Free                           |
| E6-10-680F0-50  | 9.0 (80)                       | Free                           |
| E6-10-695F0-50  | 10.7 (95)                      | Free                           |
| E6-10-6110F0-50 | 12.4 (110)                     | Free                           |
| E6-10-620R0-50  | Free                           | 2.3 (20)                       |
| E6-10-635R0-50  | Free                           | 3.9 (35)                       |
| E6-10-650R0-50  | Free                           | 5.7 (50)                       |
| E6-10-665R0-50  | Free                           | 7.3 (65)                       |
| E6-10-680R0-50  | Free                           | 9.0 (80)                       |
| E6-10-695R0-50  | Free                           | 10.7 (95)                      |
| E6-10-6110R0-50 | Free                           | 12.4 (110)                     |



# E6 Hinge

Position control · Constant torque · Plastic

- Holds in every position
- No adjustment required
- Long cycle life
- Corrosion resistant
- Multiple mounting options
- Concealed mounting hardware

## Material and Finish

40 Series: Nylon,

black, stainless steel

50 Series: Nylon, steel, anodized aluminum

## Performance Details

Cycle performance

20,000 cycles, see trade drawing for details

Radial load:

Max. static load: 200 N (45 lbf)

Average ultimate load:

1500 N (335 lbf)

Axial load:

Max. static load: 200 N (45 lbf)

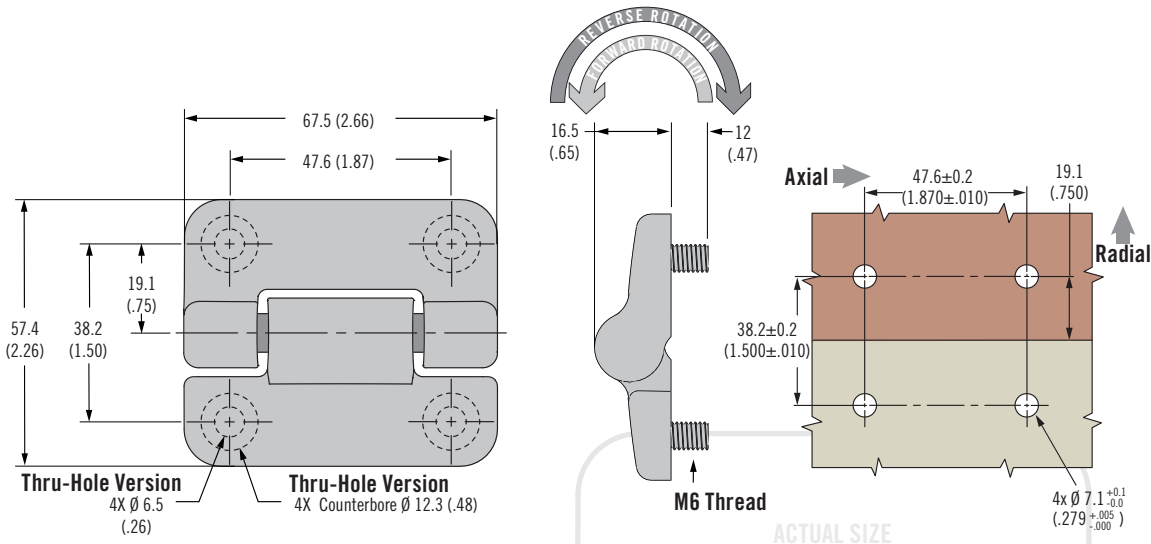
Average ultimate load:

2500 N (560 lbf)

## Part Number

See table

| XX | Color |
|----|-------|
| 20 | Black |
| 10 | White |



## 40 Series: Simplified torque mechanism providing a single, standard operating effort

| Part Number        |                      |                               |
|--------------------|----------------------|-------------------------------|
| Thru-Hole Mounting | Thread Stud Mounting | Symmetric Torque N·m (in·lbf) |
| E6-40-537S-20      | E6-45-537S-20        | 4.18 (37)                     |

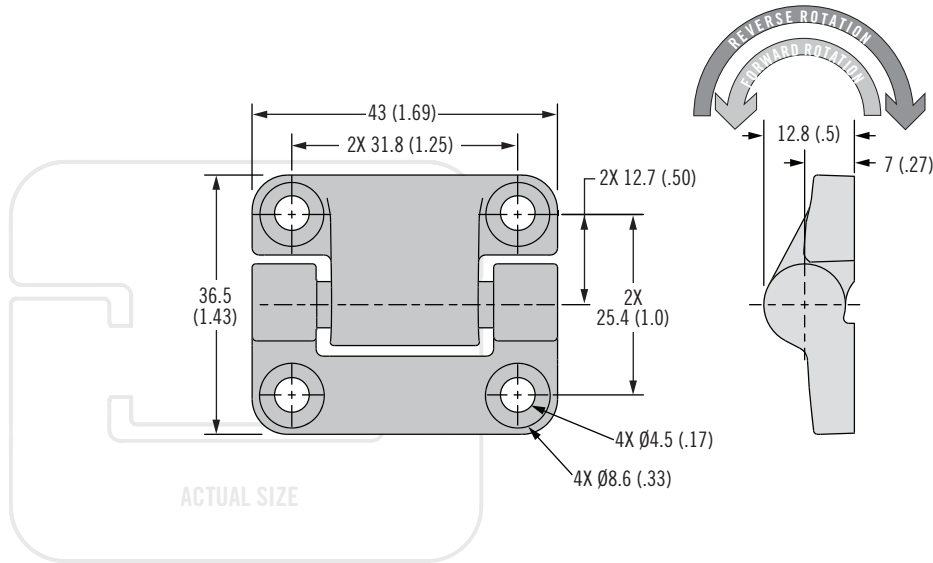
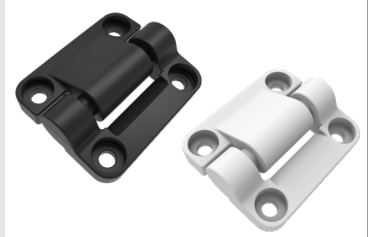
## 50 Series: Constant torque mechanism providing customizable, precise operating efforts

| Symmetric Torque Versions |                      |   |
|---------------------------|----------------------|---|
| Part Number               |                      | Static Torque (forward and reverse)<br>N·m (in·lbf) |
| Thru-Hole Mounting        | Thread Stud Mounting | Free Operating                                      |
| E6-50-500-XX              | E6-55-500-XX         |   |
| E6-50-535S-XX             | E6-55-535S-XX        | 3.95 (35)   |
| E6-50-530S-XX             | E6-55-530S-XX        | 3.39 (30)   |
| E6-50-525S-XX             | E6-55-525S-XX        | 2.82 (25)   |
| E6-50-520S-XX             | E6-55-520S-XX        | 2.26 (20)   |
| E6-50-515S-XX             | E6-55-515S-XX        | 1.69 (15)   |

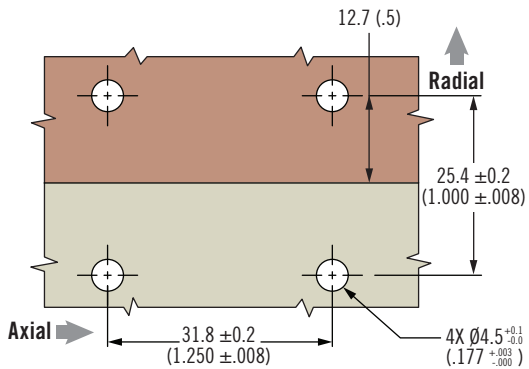
| Asymmetric Torque Versions |                      |                                |                                |
|----------------------------|----------------------|--------------------------------|--------------------------------|
| Part Number                |                      | Forward Torque<br>N·m (in·lbf) | Reverse Torque<br>N·m (in·lbf) |
| Thru-Hole Mounting         | Thread Stud Mounting |                                |                                |
| E6-50-540F-XX              | E6-55-540F-XX        | 4.52 (40)                      | 3.16 (28)                      |
| E6-50-535F-XX              | E6-55-535F-XX        | 3.95 (35)                      | 2.77 (24.5)                    |
| E6-50-530F-XX              | E6-55-530F-XX        | 3.39 (30)                      | 2.37 (21)                      |
| E6-50-525F-XX              | E6-55-525F-XX        | 2.82 (25)                      | 1.98 (17.5)                    |
| E6-50-520F-XX              | E6-55-520F-XX        | 2.26 (20)                      | 1.58 (14)                      |
| E6-50-515F-XX              | E6-55-515F-XX        | 1.69 (15)                      | 1.19 (10.5)                    |
| E6-50-540R-XX              | E6-55-540R-XX        | 3.16 (28)                      | 4.52 (40)                      |
| E6-50-535R-XX              | E6-55-535R-XX        | 2.77 (24.5)                    | 3.95 (35)                      |
| E6-50-530R-XX              | E6-55-530R-XX        | 2.37 (21)                      | 3.39 (30)                      |
| E6-50-525R-XX              | E6-55-525R-XX        | 1.98 (17.5)                    | 2.82 (25)                      |
| E6-50-520R-XX              | E6-55-520R-XX        | 1.58 (14)                      | 2.26 (20)                      |
| E6-50-515R-XX              | E6-55-515R-XX        | 1.19 (10.5)                    | 1.69 (15)                      |

# E6 Hinge

Position control · Constant torque · Plastic



**50 Series: Constant torque mechanism providing customizable, precise operating efforts**



| Symmetric Torque Versions |  |
|---------------------------|--|
| Part Number               | Static Torque (forward and reverse) N•m (in•lbf) |
| E6-50-314S-XX             | 1.58 (14)  |
| E6-50-310S-XX             | 1.13 (10)  |
| E6-50-308S-XX             | 0.90 (8)   |
| E6-50-304S-XX             | 0.45 (4)   |

| Asymmetric Torque Versions |                             |                             |
|----------------------------|-----------------------------|-----------------------------|
| Part Number                | Forward Torque N•m (in•lbf) | Reverse Torque N•m (in•lbf) |
| E6-50-316F-XX              | 1.81 (16)                   | 1.27 (11.2)                 |
| E6-50-312F-XX              | 1.36 (12)                   | 0.95 (8.4)                  |
| E6-50-308F-XX              | 0.90 (8)                    | 0.63 (5.6)                  |
| E6-50-304F-XX              | 0.45 (4)                    | 0.32 (2.8)                  |
| E6-50-316R-XX              | 1.27 (11.2)                 | 1.81 (16)                   |
| E6-50-312R-XX              | 0.95 (8.4)                  | 1.36 (12)                   |
| E6-50-308R-XX              | 0.63 (5.6)                  | 0.90 (8)                    |
| E6-50-304R-XX              | 0.32 (2.8)                  | 0.45 (4)                    |

| XX | Color |
|----|-------|
| 20 | Black |
| 10 | White |

- Holds in every position
- No adjustment required
- Long cycle life
- Corrosion resistant

### Material and Finish

50 Series: Nylon, steel, anodized aluminum

### Performance Details

Cycle performance  
20,000 cycles, see trade drawing for details

### Part Number

See table





# ST-8A Hinge

Position control · Constant torque

- Holds in every position
- No adjustment required
- Long cycle life

### Material and Finish

Zinc alloy, black paint

### Performance Details

Cycle performance  
20,000 cycles within ±20% of static torque specification

### Installation Notes

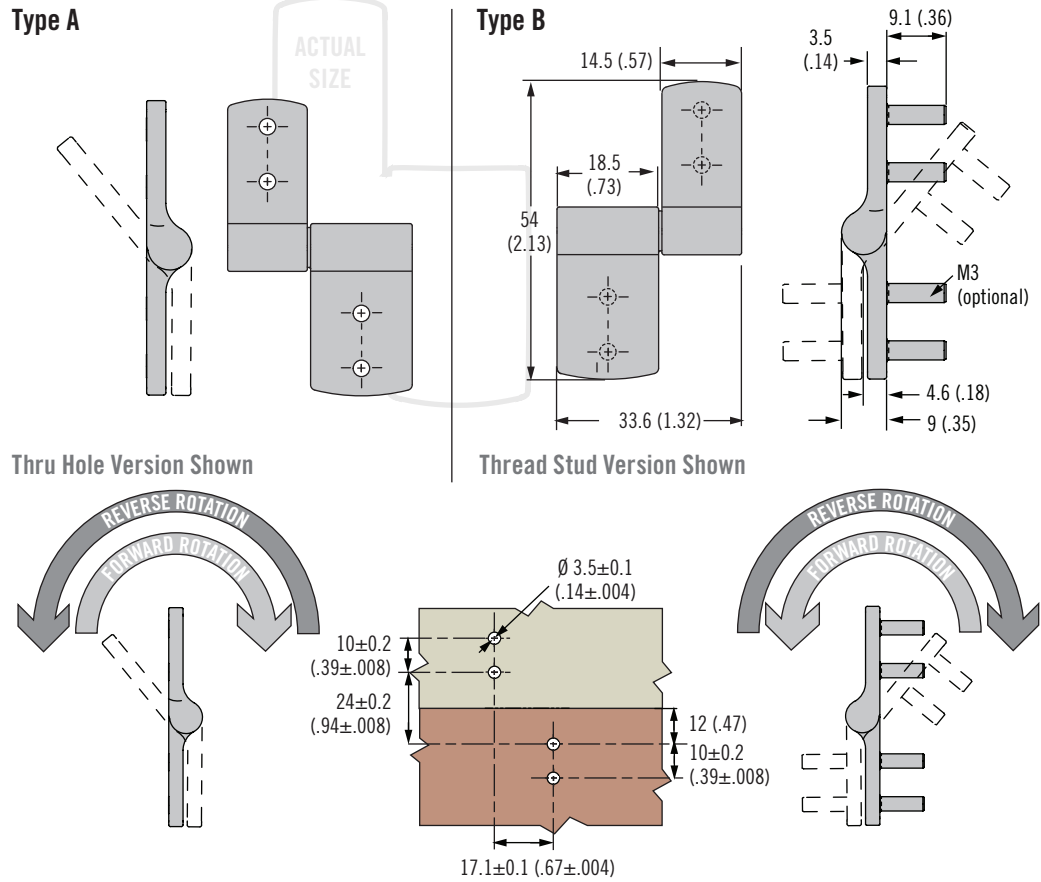
Thread stud install with M3 nuts (not supplied)

Thru hole install with M3 (No. 4) screws (not supplied)

To ensure proper function, assembly must include a minimum of one Type A and one Type B hinge

### Part Number

See table

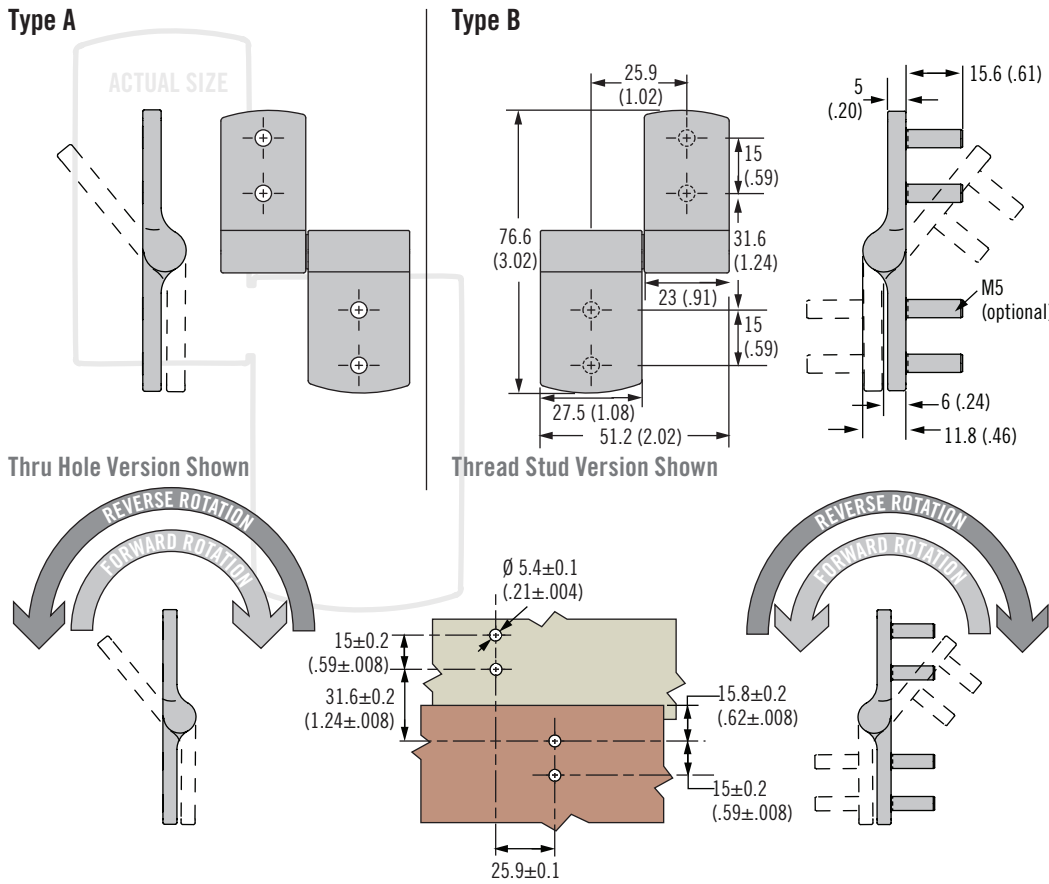


| Symmetric Torque Version |                |               |               |   |
|--------------------------|----------------|---------------|---------------|---|
| Part Number              |                |               |               | Static Torque (forward and reverse)<br>N·m (in·lbf) |
| M3 Thread Stud           |                | Thru Hole     |               |   |
| Type A                   | Type B         | Type A        | Type B        |   |
| ST-8A1-40SA-50           | ST-8A1-40SB-50 | ST-8A-40SA-50 | ST-8A-40SB-50 | 0.45 (4)  |
| ST-8A1-60SA-50           | ST-8A1-60SB-50 | ST-8A-60SA-50 | ST-8A-60SB-50 | 0.68 (6)  |
| ST-8A1-80SA-50           | ST-8A1-80SB-50 | ST-8A-80SA-50 | ST-8A-80SB-50 | 0.9 (8)   |

| Asymmetric Torque Version |                 |                |                |                                |                                |
|---------------------------|-----------------|----------------|----------------|--------------------------------|--------------------------------|
| Part Number               |                 |                |                | Forward Torque<br>N·m (in·lbf) | Reverse Torque<br>N·m (in·lbf) |
| M3 Thread Stud            |                 | Thru Hole      |                |                                |                                |
| Type A                    | Type B          | Type A         | Type B         |                                |                                |
| ST-8A1-40FA-50            | ST-8A1-40FB-50  | ST-8A-40FA-50  | ST-8A-40FB-50  | 0.45 (4)                       | 0.27 (2.4)                     |
| ST-8A1-60FA-50            | ST-8A1-60FB-50  | ST-8A-60FA-50  | ST-8A-60FB-50  | 0.68 (6)                       | 0.41 (3.6)                     |
| ST-8A1-80FA-50            | ST-8A1-80FB-50  | ST-8A-80FA-50  | ST-8A-80FB-50  | 0.90 (8)                       | 0.54 (4.8)                     |
| ST-8A1-100FA-50           | ST-8A1-100FB-50 | ST-8A-100FA-50 | ST-8A-100FB-50 | 1.13 (10)                      | 0.68 (6)                       |
| ST-8A1-40RA-50            | ST-8A1-40RB-50  | ST-8A-40RA-50  | ST-8A-40RB-50  | 0.27 (2.4)                     | 0.45 (4)                       |
| ST-8A1-60RA-50            | ST-8A1-60RB-50  | ST-8A-60RA-50  | ST-8A-60RB-50  | 0.41 (3.6)                     | 0.68 (6)                       |
| ST-8A1-80RA-50            | ST-8A1-80RB-50  | ST-8A-80RA-50  | ST-8A-80RB-50  | 0.54 (4.8)                     | 0.9 (8)                        |
| ST-8A1-100RA-50           | ST-8A1-100RB-50 | ST-8A-100RA-50 | ST-8A-100RB-50 | 0.68 (6)                       | 1.13 (10)                      |

# ST-11A Hinge

Position control · Constant torque



- Holds in every position
- No adjustment required
- Long cycle life

### Material and Finish

Zinc alloy, black paint

### Performance Details

Cycle performance  
20,000 cycles within  $\pm 20\%$  of static torque specification

### Installation Notes

Thread stud install with M5 nuts (not supplied)

Thru hole install with M5 (No. 10) screws (not supplied)

To ensure proper function, assembly must include a minimum of one Type A and one Type B hinge

| Symmetric Torque Version |                  |                 |                 |   |
|--------------------------|------------------|-----------------|-----------------|---|
| Part Number              |                  |                 |                 | Static Torque (forward and reverse)<br>N·m (in·lbf) |
| M5 Thread Stud           |                  | Thru Hole       |                 |   |
| Type A                   | Type B           | Type A          | Type B          |   |
| ST-11A1-140SA-50         | ST-11A1-140SB-50 | ST-11A-140SA-50 | ST-11A-140SB-50 | 1.58 (14)   |
| ST-11A1-200SA-50         | ST-11A1-200SB-50 | ST-11A-200SA-50 | ST-11A-200SB-50 | 2.26 (20)   |
| ST-11A1-260SA-50         | ST-11A1-260SB-50 | ST-11A-260SA-50 | ST-11A-260SB-50 | 2.94 (26)   |

| Asymmetric Torque Version |                  |                 |                 |                                |                                |
|---------------------------|------------------|-----------------|-----------------|--------------------------------|--------------------------------|
| Part Number               |                  |                 |                 | Forward Torque<br>N·m (in·lbf) | Reverse Torque<br>N·m (in·lbf) |
| M5 Thread Stud            |                  | Thru Hole       |                 |                                |                                |
| Type A                    | Type B           | Type A          | Type B          |                                |                                |
| ST-11A1-140FA-50          | ST-11A1-140FB-50 | ST-11A-140FA-50 | ST-11A-140FB-50 | 1.58 (14)                      | 0.95 (8.4)                     |
| ST-11A1-200FA-50          | ST-11A1-200FB-50 | ST-11A-200FA-50 | ST-11A-200FB-50 | 2.26 (20)                      | 1.36 (12)                      |
| ST-11A1-260FA-50          | ST-11A1-260FB-50 | ST-11A-260FA-50 | ST-11A-260FB-50 | 2.94 (26)                      | 1.76 (15.6)                    |
| ST-11A1-320FA-50          | ST-11A1-320FB-50 | ST-11A-320FA-50 | ST-11A-320FB-50 | 3.62 (32)                      | 2.17 (19.2)                    |
| ST-11A1-140RA-50          | ST-11A1-140RB-50 | ST-11A-140RA-50 | ST-11A-140RB-50 | 0.95 (8.4)                     | 1.58 (14)                      |
| ST-11A1-200RA-50          | ST-11A1-200RB-50 | ST-11A-200RA-50 | ST-11A-200RB-50 | 1.36 (12)                      | 2.26 (20)                      |
| ST-11A1-260RA-50          | ST-11A1-260RB-50 | ST-11A-260RA-50 | ST-11A-260RB-50 | 1.76 (15.6)                    | 2.94 (26)                      |
| ST-11A1-320RA-50          | ST-11A1-320RB-50 | ST-11A-320RA-50 | ST-11A-320RB-50 | 2.17 (19.2)                    | 3.62 (32)                      |

### Part Number

See table