



E8 Draw Latch

Over-center · Adjustable

- Adjustable grip
- Concealed mounting

Material and Finish

Acetal black and glass reinforced nylon, black

Adjusting nut: Stainless steel

Performance Details

Max. working load: 1560 N (350 lbf)

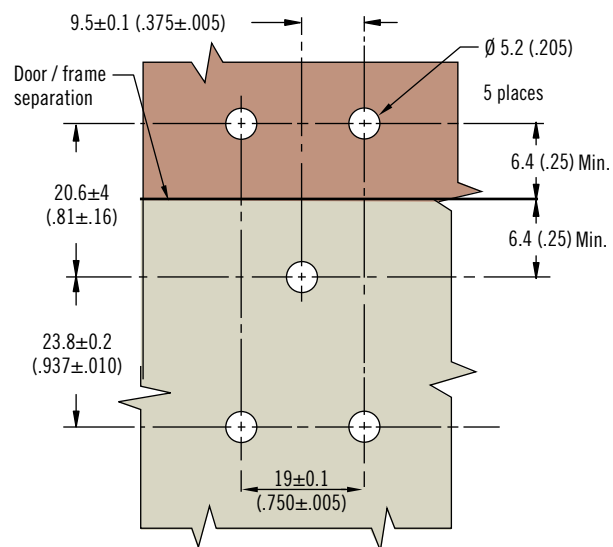
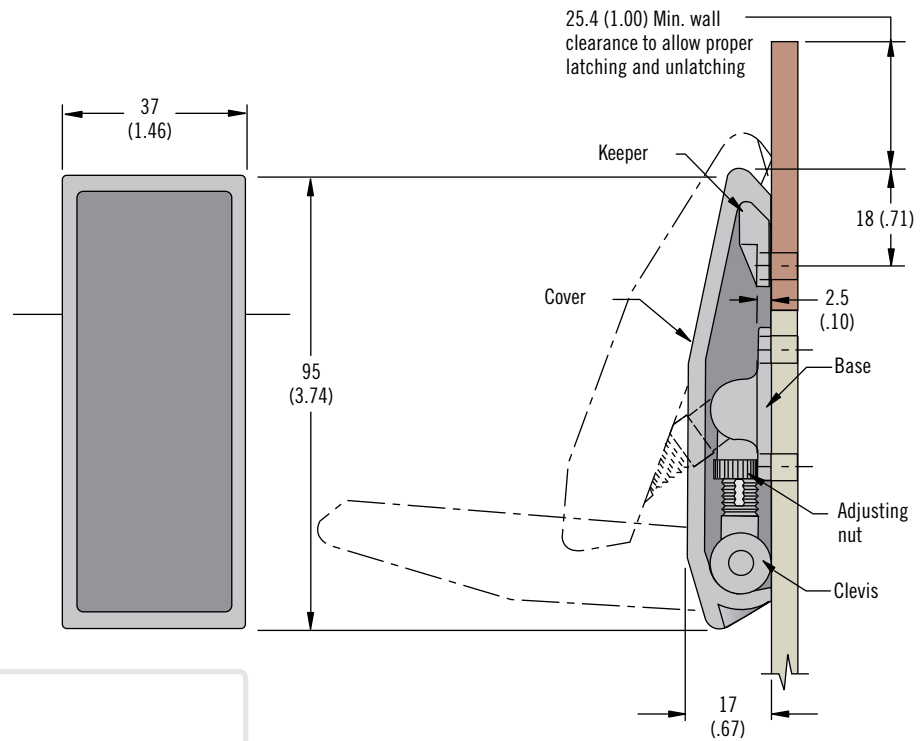
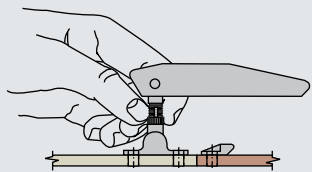
Operating temperature range:
-29°C (-20°F) to 80°C (176°F)

Flammability rating: UL94-HB

Installation Notes

Install assembly with five $\varnothing 5$ (.197) rivets or M5 (No. 10) screws (not supplied)

To adjust latching force, thread adjustment nut up or down clevis (total 7.9 (.31) range)



Part Number

See table

Assembly complete with keeper

Part Number

E8-10-502-20



www.southco.com/E8

Dimensions in millimeters (inch) unless otherwise stated

southco
CONNECT · CREATE · INNOVATE