

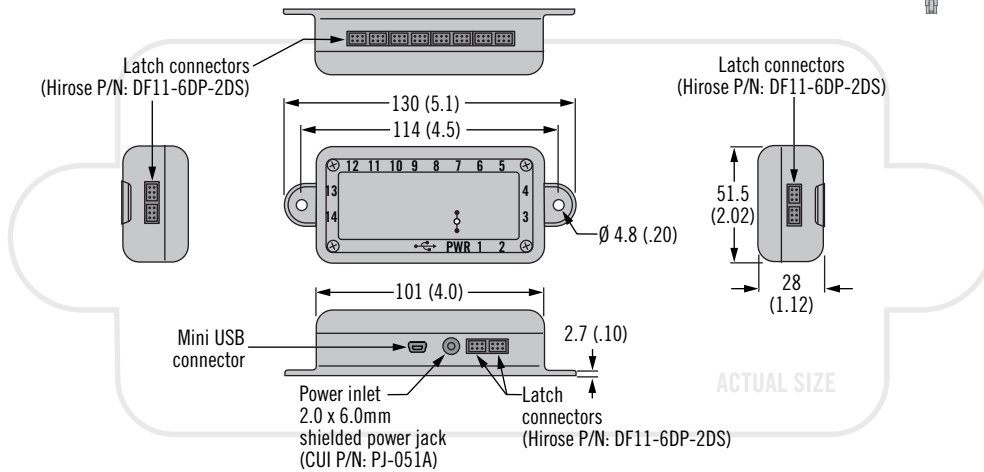
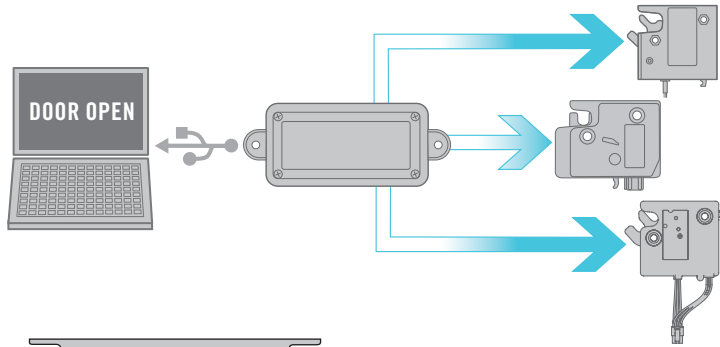
EA-A06 USB Controller

Electronic access



Controller Assembly

Part Number
EA-A06-001



1 Meter USB Cable (Included)



EA-A02-002 Power Supply (Order separately)



Wire Harness Options		
Part Number	Length	Connects to
EA-W01-200*	2 Meters	Stripped and Tinned
EA-W20-201-01*	2 Meters	
EA-W20-201-01*	2 Meters	
EA-W01-200-01*	2 Meters	
EA-W02-203-01*	2 Meters	

*Contact Southco For Custom Lengths

Power Plug Adapters

Part Number	Description	Function
EA-A02-002**	Power Supply with NA 2-Pin	
EA-A02-002 & EA-A02-002-2	Power Supply with Euro 2-Pin	
EA-A02-002 & EA-A02-002-3	Power Supply with UK 3 Pin	
EA-A02-002 & EA-A02-002-4	Power supply with SAA 2-Pin	

**EA-A02-002-1 NA 2-PIN included with EA-A02-002 Power Supply.

- Allows computer controlled electro-mechanical latch operation via USB port
- 14 Independent latch inputs / outputs
- Simple programming commands / easy program interface
- Integrate with any Southco electro-mechanical latch solution
- Labeled connections for easy set up

Material & Finish

Controller Housing: ABS
 (UL94-5VA Flammability Rating)

Electrical Specifications

Operating Voltage: 12-24 VDC
 Do Not Exceed Max Latch Voltage
 Max Output Per Latch: 2 Amps

How to Order

1. Order one Controller with USB Cable: EA-A06-001
2. Order Southco Power Supply EA-A02-002 and select the appropriate plug adapter if needed



3. Use latch wire harness options table to select cable to accommodate Southco electromechanical latches



Other options available. For complete details on variety, part numbers, installation and specification, go to



www.southco.com/EA