

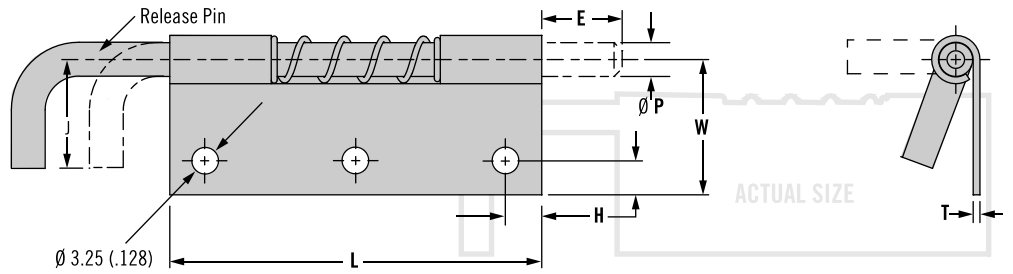


# F6 Hinge

## Door removal

### Material and Finish

Steel, zinc plated or stainless steel



S Size	L	E	H	J	P	T	W
3 - 4	22.2 (.88)	4 (.16)	4.0 (.16)	10 (.39)	3.0 (.12)	0.8 (.03)	13 (.50)
7 - 8	34.9 (1.38)	6.4 (.25)	4.8 (.19)	13 (.50)	4.0 (.15)	1.0 (.04)	19 (.75)
11 - 12	50.8 (2.00)	9.5 (.38)	6.4 (.25)	16 (.63)	4.5 (.18)	1.3 (.05)	22 (.87)
15 - 16	69.9 (2.75)	12.7 (.50)	6.4 (.25)	19 (.75)	6.4 (.25)	1.5 (.06)	25.5 (1.00)

### Part Number Selection

**M** Material and Finish  
**N** Steel, zinc plated  
**S** Stainless steel

**S** Size  
**3** 22 (0.87) Left Hand  
**4** 22 (0.87) Right Hand  
**7** 35 (1.38) Left Hand  
**8** 35 (1.38) Right Hand  
**11** 51 (2.00) Left Hand  
**12** 51 (2.00) Right Hand  
**15** 70 (2.75) Left Hand  
**16** 70 (2.75) Right Hand

**F6 - 23 - M S AW**

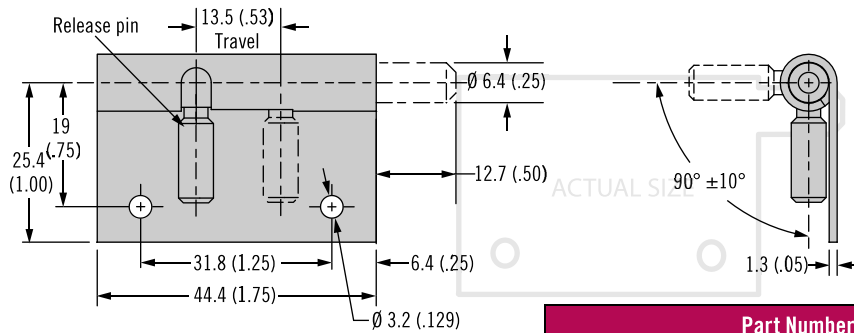


### Material and Finish

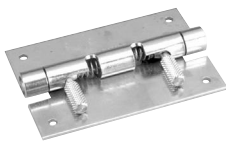
Steel, zinc plated or stainless steel

### Part Number

See table



Part Number		
Handling	Steel	Stainless Steel
Right (shown)	F6-20-N1A50WR	F6-20-S1A50WR
Left	F6-20-N1A50WL	F6-20-S1A50WL



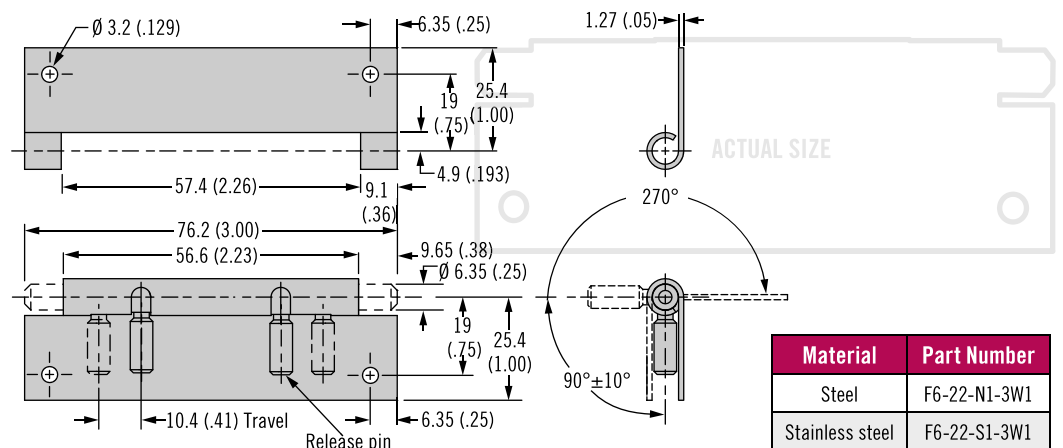
### Locking feature for simple removal

### Material and Finish

Steel, zinc plated or stainless steel

### Part Number

See table



Material	Part Number
Steel	F6-22-N1-3W1
Stainless steel	F6-22-S1-3W1



[www.southco.com/F6](http://www.southco.com/F6)

Dimensions in millimeters (inch) unless otherwise stated