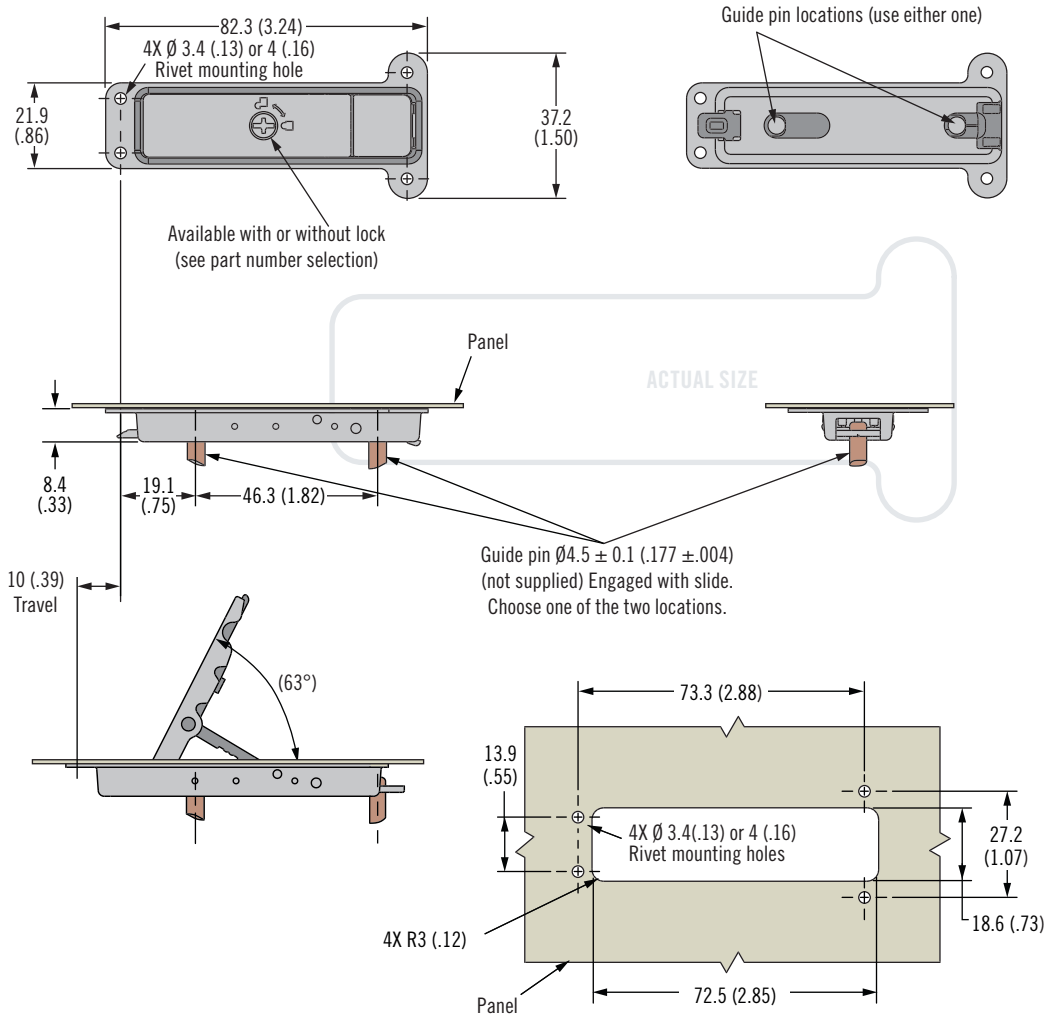
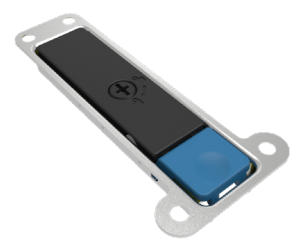


HH Sliding Cover Latch

Pop-up function · Secondary Latch · Flush



- Intuitive operation with pop up handle
- Convenient installation with a dual engagement hole mounting design
- Carbon steel slide

Material and Finish

Cup: Steel, zinc plated
 Lever: Zinc alloy, powder coated
 Button: Glass reinforced nylon

Performance Details

Max. working load on side: 100 N
 Operating temperature range:
 -40°C to 40°C
 Flammability rating: UL-94-V0

Installation Notes

Install assembly with
 Ø 3.4 (13) or 4 (.16) rivets

Part Number

See table

