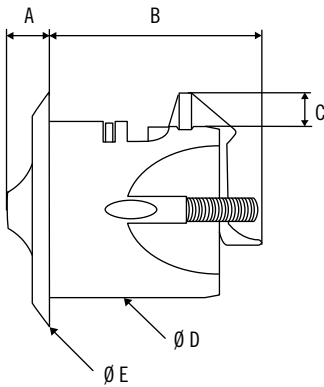


ACCESS HARDWARE

MP Novibra Push-to-Close Latch · Medium · Plastic · Turn to Open



| | Imperial | | Metric |
|---|----------|---------|--------|
| | Nominal | Decimal | |
| A | 15/32 | .472 | 12 |
| B | 1 3/4 | 1.752 | 44.5 |
| C | 13/32 | .406 | 10 |
| D | 1 1/2 | 1.5 | 38 |
| E | 1 3/4 | 1.76 | 44.7 |



- Fast, easy installation
- Weatherproof face
- Long bolt travel with an adjustable striker plate

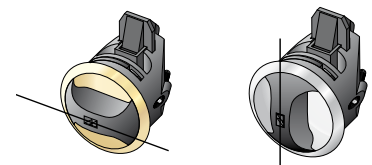
Panel Thickness Range:

3 - 22mm (1/8" - 7/8")

The Novibra is designed for hatches, doors, drawers, cockpit lockers, and similar type applications. The Novibra helps eliminate noise in the hatch, doors or drawers caused by engine vibration.

Available Options:

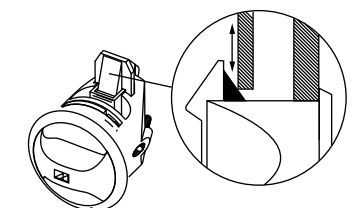
Colors: Choose from black, white, chrome, diamond brass, and satin, in any combination of Cup and Handle. Additional colors and custom color-matching available on request. Contact Southco for details.



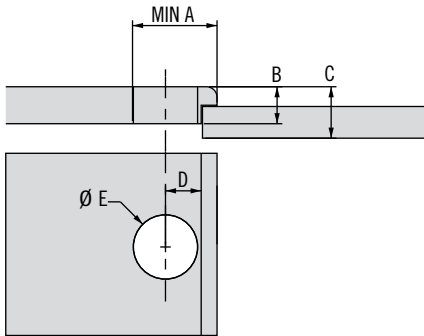
Type 1
(For drawers)

Type 2
(For doors)

Non vibration feature

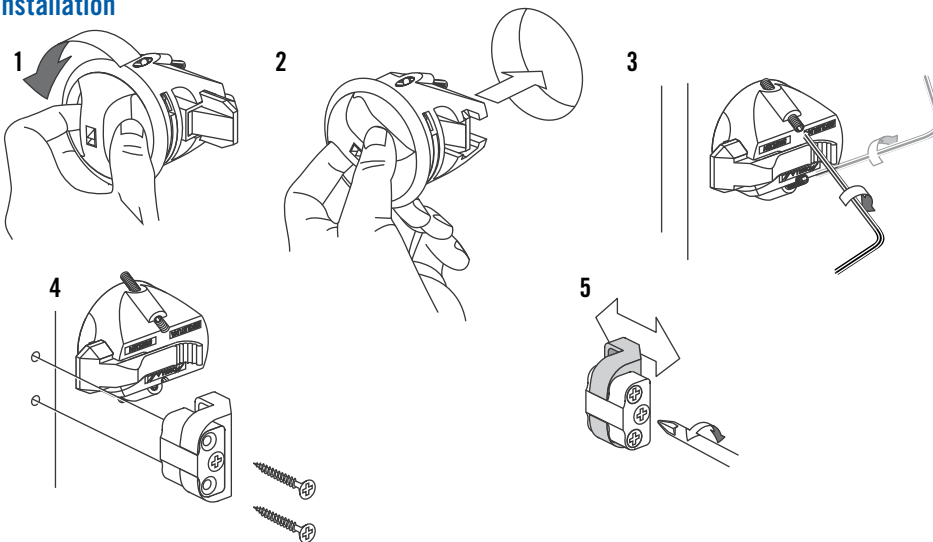


Panel Preparation



| | Imperial | | Metric |
|---|-------------------------|---------------|-----------|
| | Nominal | Decimal | |
| A | 2 | 2 | 50 |
| B | min. 1/8 max. 7/8 | .118 .875 | 3 22.5 |
| C | min. 7/8 max. 1 5/16 | .875 1.313 | 23 33 |
| D | 1 7/32 | 1.219 | 31 |
| E | 1 33/64 | 1.516 | 38.5 |

Installation



Part Number Selection

T Type
 1 For Drawers
 2 For Doors

B Body
 5 Black
 7 White

C Cup
 1 Chrome
 2 Satin
 3 Brown
 4 Diamond Brass
 5 Black
 7 White

H Handle
 1 Chrome
 2 Satin
 3 Brown
 4 Diamond Brass
 5 Black
 7 White

MP - 0 T - 103 - B C H

