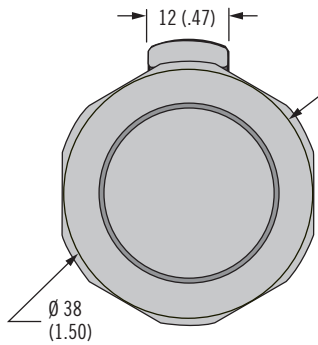


M1 Push-to-Close Latch

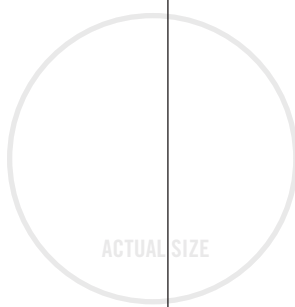
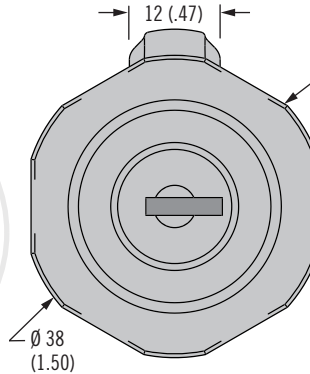
Turn-to-open



Non-Locking



Locking



- Single, round-hole installation
- Flush pop out knob
- Corrosion-resistant materials

Material and Finish

PC/ABS, black or chrome plated

Performance Details

Max. working load: 310 N (70 lbf)

Operating temperature range:
-30°C (-22°F) to 60°C (140°F)

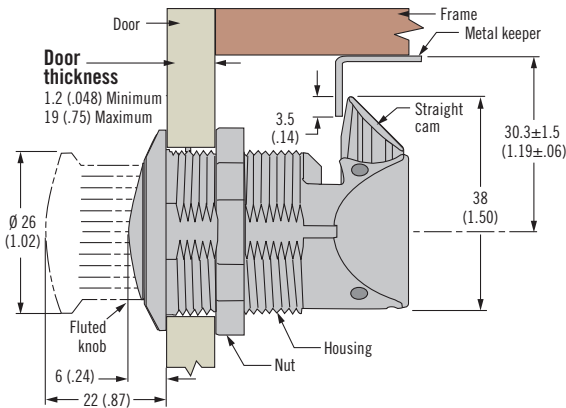
Flammability rating: UL94-HB

Installation Notes

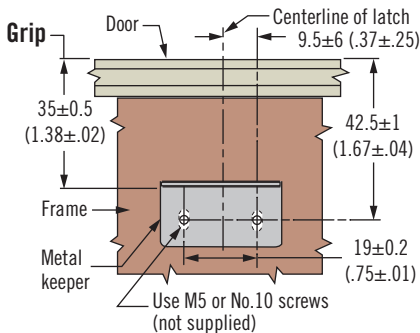
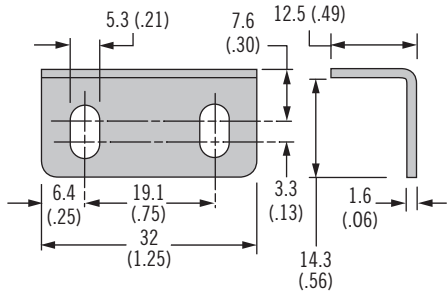
Max. tightening torque on mounting nut:
4.2 N·m (37 in·lbf)

Accessories

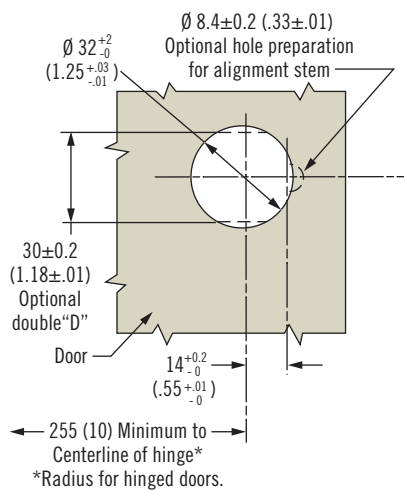
Replacement Keeper
Part number: M1-519-4



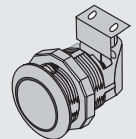
Keeper



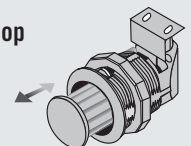
Installation



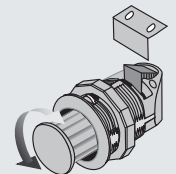
Closed



Push To Pop Out Knob



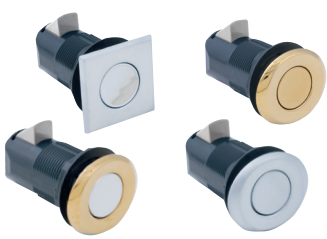
Turn Knob To Open



Part Number

See table

Finish	Part Number	
	Non-locking	Locking
Chrome	M1-2A-13-1	-
Black	M1-2A-13-5	M1-2A-23-5



MP Point Push-to-Close Latch

Pull-to-open

- Single, round-hole installation
- Flush pop out knob
- Corrosion-resistant materials
- Keeper sold separately

Material and Finish

Housing: Glass-filled nylon

Flange and knob: Zinc alloy, plated

Cam: Zinc alloy

Fixed keeper: Stainless steel

Hooded keeper: Nylon, black

Installation Notes

Maximum tightening torque on mounting nut: 4.5 N·m (40 in·lbf)

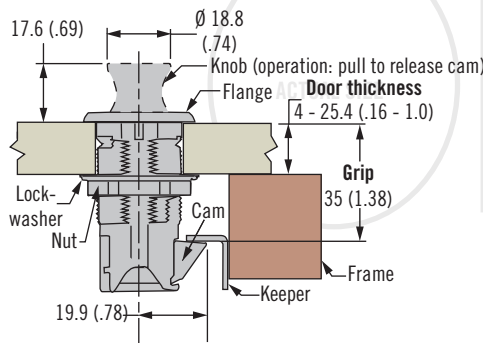
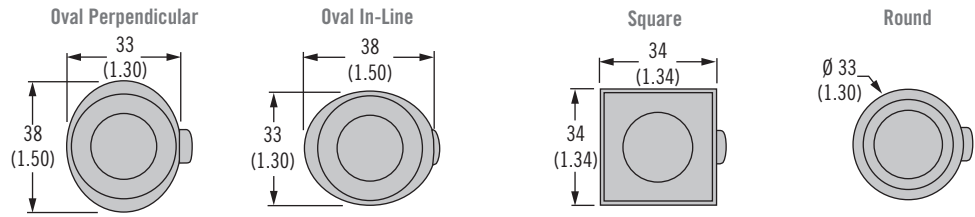
Fixed keeper: Use M5 or No. 10 screws to mount (not supplied)

Hooded keeper: Use M5 or No. 10 screws to mount (not supplied)

Accessories

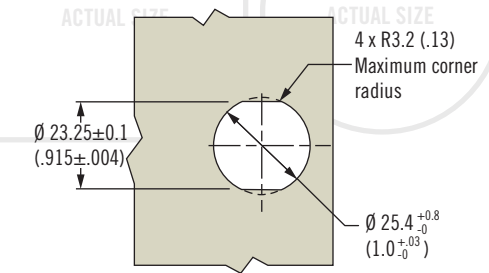
Matching pulls available see page 597

H Housing Style

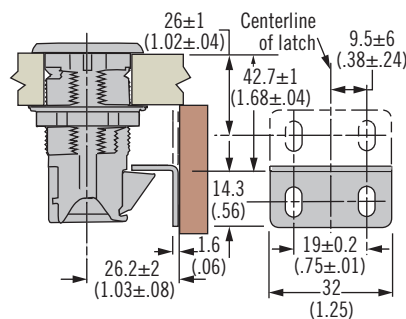


Installation

Latch Only (for keeper installation below)

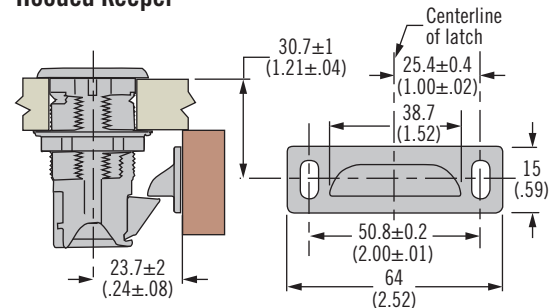


Fixed Keeper



Fixed Keeper
M1-519-4

Hooded Keeper



Hooded Keeper
MP-510-16-4

Part Number Selection

Latch only, keepers sold separately.

H Housing style

- 11 Oval perpendicular
- 12 Oval in-line
- 21 Square
- 31 Round

MP - 05 - H 2 - F K

F Flange finish

- 1 Chrome plated
- 2 Satin chrome plated
- 3 Brushed nickel plated
- 5 Black powder coated

K Knob finish

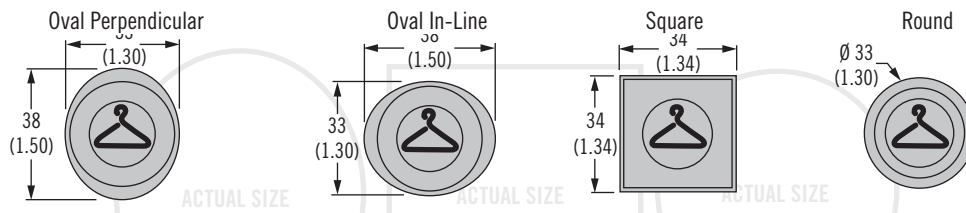
- 1 Chrome plated
- 2 Satin chrome plated
- 3 Brushed nickel plated
- 5 Black powder coated

MP Point Coat Hook

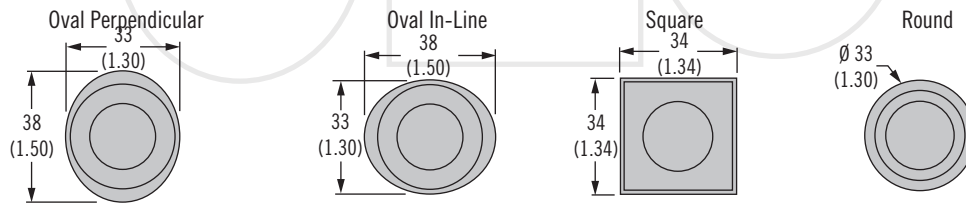
Pop-up hook



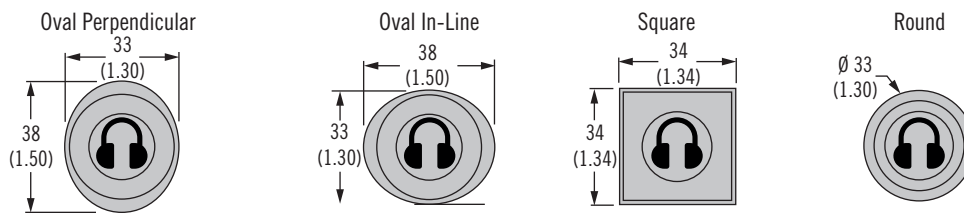
H Housing Style (with hanger image, I = 2)



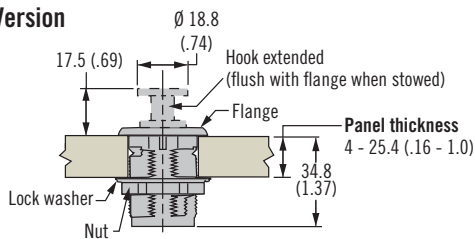
H Housing Style (without hanger image, I = 3)



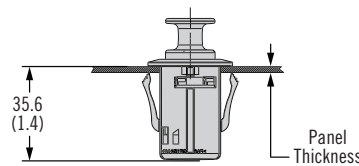
H Housing Style (with headset image, I = 4)



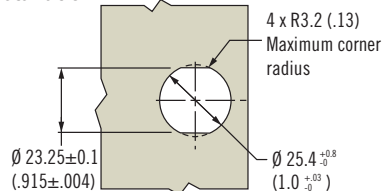
Mounting Nut Version



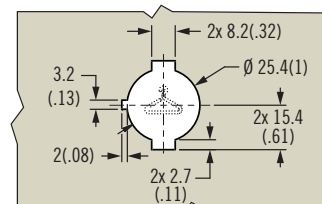
Snap-in-Version



Mounting Nut Installation



Snap-in-Installation



- Flush pop out hook
- Snap-in or mounting nut installation
- Corrosion-resistant materials

Material and Finish

Housing: Glass-filled nylon
 Flange and hook: Zinc alloy, plated

Installation Notes

Maximum tightening torque on mounting nut: 4.5 N·m (40 in·lbf)

Part Number Selection

H Housing style ← **I** Image

11	Oval perpendicular	2	Hanger
12	Oval in-line	3	Blank
21	Square	4	Headset
31	Round		

F Flange finish ← **K** Hook finish ← **P** Panel Thickness (Snap-in-Only)

1	Chrome plated	1	Chrome plated	None	Mounting nut 4-25.4(.16-1.0)
2	Satin chrome plated	2	Satin chrome plated	0	Snap-in 1.1-2.9(.043-.114)
3	Brushed nickel plated	3	Brushed nickel plated	1	Snap-in 2.9-5.3(.114-.209)
5	Black Powder Coat	5	Black Powder Coat	2	Snap-in 5.3-7(.209-.276)

(For image option 3 blank only)

MP - 07 - H I - F K - P