



# P1 Flush Pull

Low profile · Lift or pull · Single hole mount

- Easy installation
- Deep pocket

## Material and Finish

Pull and cup: ABS plastic, black  
Screws: Steel, zinc plated

## Performance Details

Maximum static load:  
Lifting / pulling: 1300 N (300 lbf)



Pushing / sliding: 450 N (100 lbf)



Flammability rating:

UL94-HB or UL94-V0 (See table)

Operating temperature range:

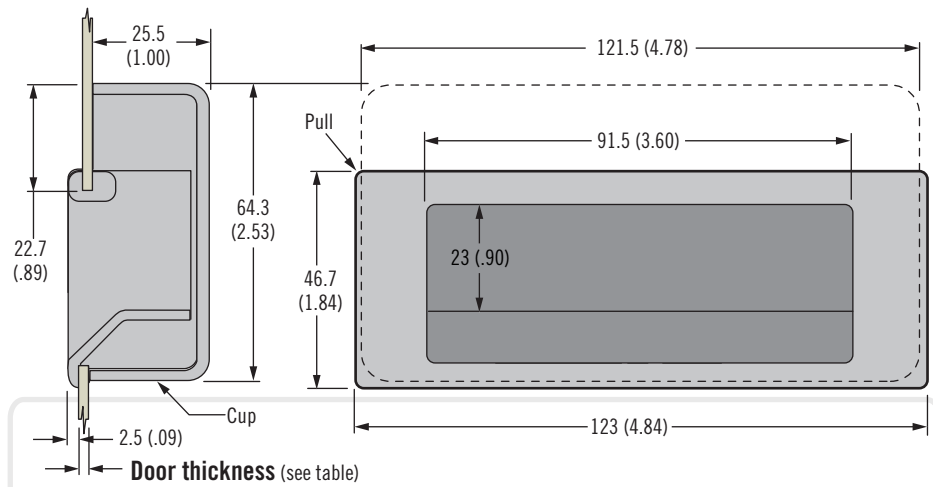
-50°C (-60°F) to 60°C (140°F)

## Installation Notes

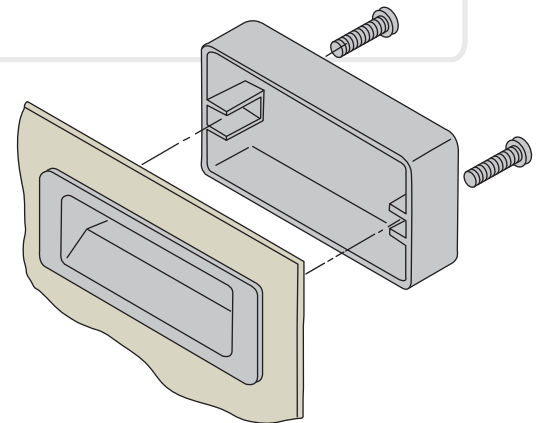
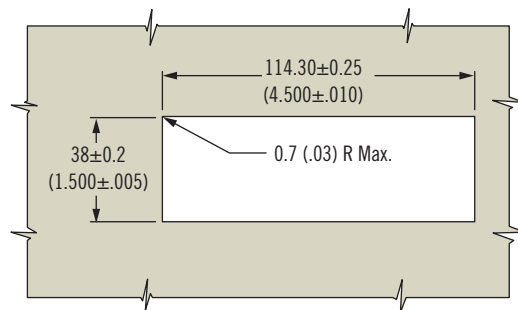
Mounting screws supplied.  
Door thickness less than the minimum for each range allows some movement of the pull.  
Maximum torque for mounting screws is 0.5 N·m (5 in·lbf)

## Part Number

See table



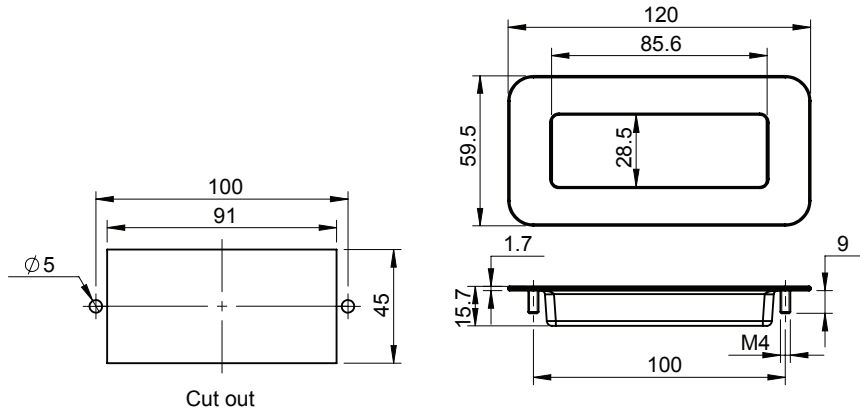
Two No. 6 BT thread forming screws (supplied)



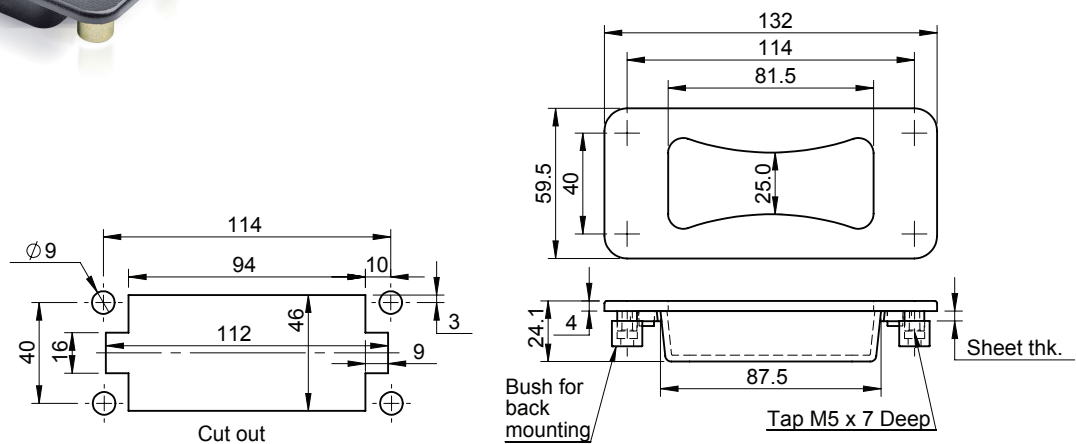
Door Thickness Range		Part Number	
Min.	Max.	UL94-HB	UL94-V0
1.0 (.040)	1.8 (.070)	P1-30-101-11	P1-31
1.8 (.070)	3.3 (.130)	P1-30-103-11	P1-33
3.3 (.130)	4.8 (.190)	P1-30-105-11	P1-35
4.8 (.190)	6.3 (.250)	P1-30-107-11	P1-37

# Handles

## P1 Flush Pull



Product Code	Material	Finish
P1-DHRSS-120	SS-304	Electro Polishing



Product Code	Material	Finish
P1-DHRZ-130	Zinc	Black PC