



P8 Grab Handle

Surface mount

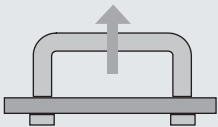
- Two styles and color options available
- Concealed installation
- Four standard lengths

Material and Finish

Aluminum, anodized, clear or black

Performance Details

Maximum working load: 1500 N (335 lbf)



Installation Notes

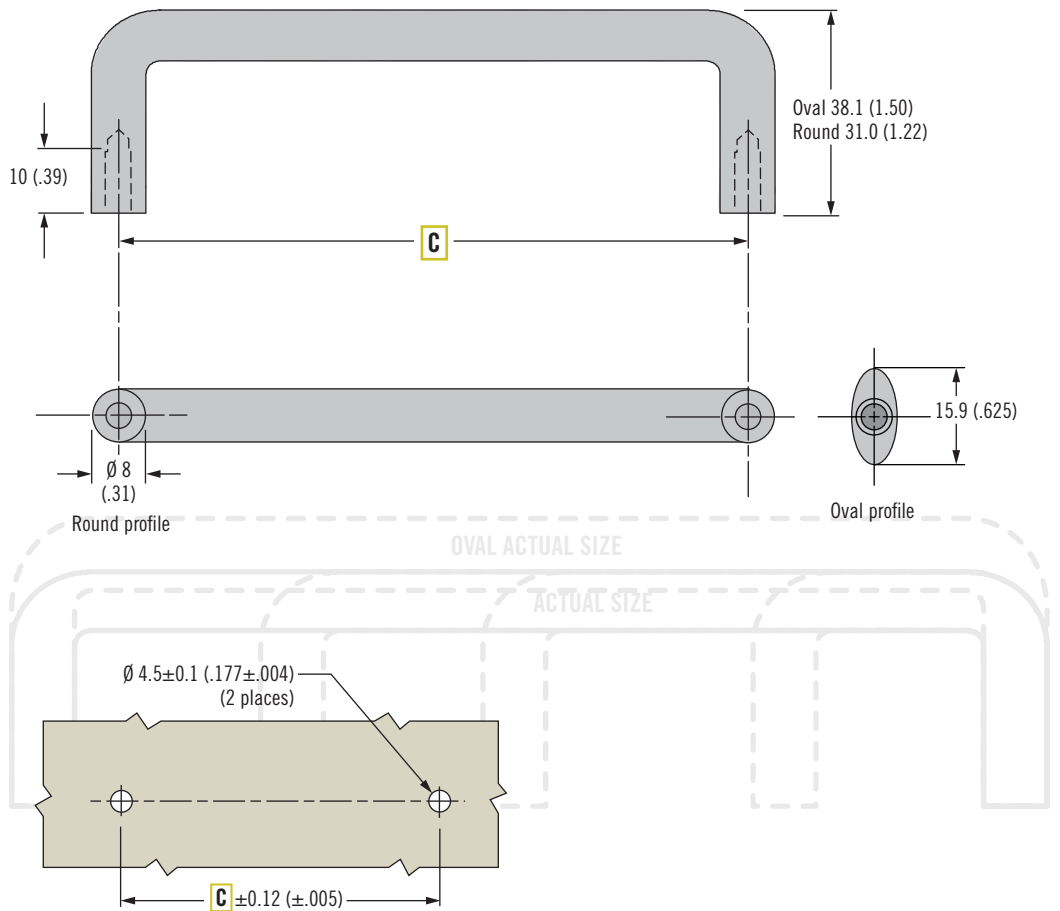
Screws not supplied.
 Calculate screw length using the following formula:
 Door thickness + 5 (.20)
 Maximum tightening torque of mounting screws: 1.7 N·m (15 in·lbf)

Part Number Selection

For visual identification:
 M4 products have a counterbored hole.
 8-32 products have a countersunk hole

Part Number

Oval profile handles are currently offered in a 10-32 thread only.



Round Profile

P8 - **C** - 31 - **T** - 1 **F** - **P**

- C** Centers
- 030** 30 (1.18) Hole centers
 - 064** 64 (2.52) Hole centers
 - 096** 96 (3.78) Hole centers
 - 128** 128 (5.04) Hole centers

- T** Tapped mounting hole
- 08** Imperial 8-32
 - M4** Metric M4 x 0.7

- P** Packing option
- Omit for individual packaging (1 per bag)
 - 3** Layer packaging contact Southco

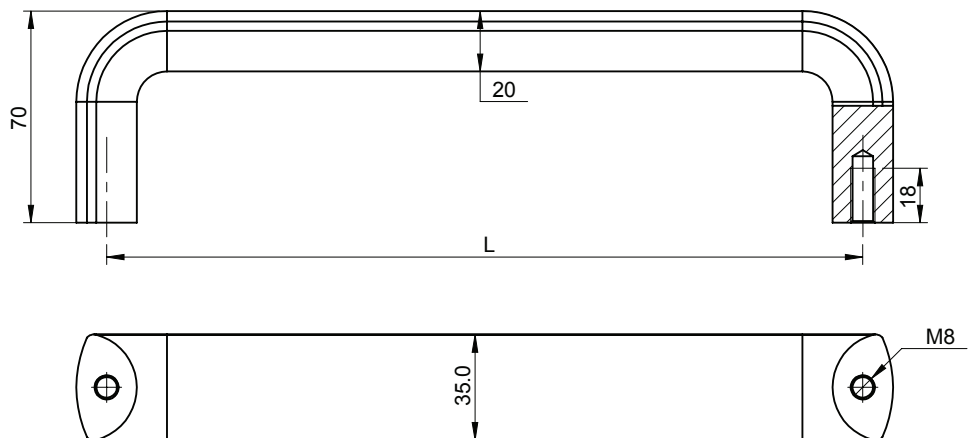
- F** Finish
- 1** Clear anodized
 - 5** Black anodized

Oval Profile

Finish	Part Number		C
	Bulk Packaged	Individually Packaged (1 per bag)	
Clear anodized	P8-128-38-10V-11-3	P8-128-38-10V-11	128 (5.04)
Black anodized	P8-128-38-10V-15-3	P8-128-38-10V-15	

Handles

P8 Wire Pull Handle

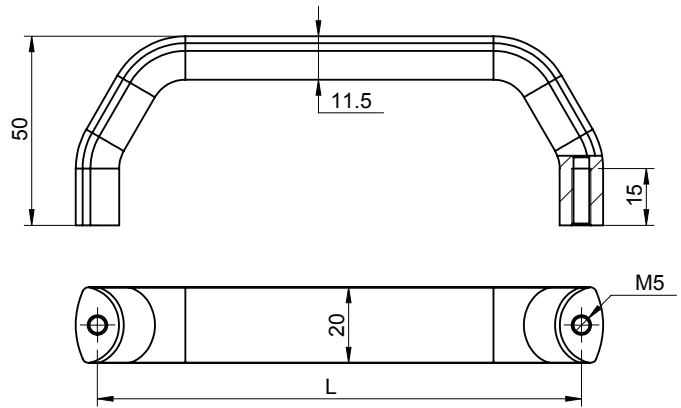


Product Code	Material	Finish	Length
P8-DHAE-3-250	Aluminium	Black PC	250
P8-DHAE-3-300	Aluminium	Black PC	300
P8-DHAE-3-400	Aluminium	Black PC	400
P8-DHAE-3-500	Aluminium	Black PC	500
P8-DHAE-3-600	Aluminium	Black PC	600

Standard : Black PC, Add SPC for Silver Sparkle Powder Coating.

Handles

P8 Wire Pull Handle

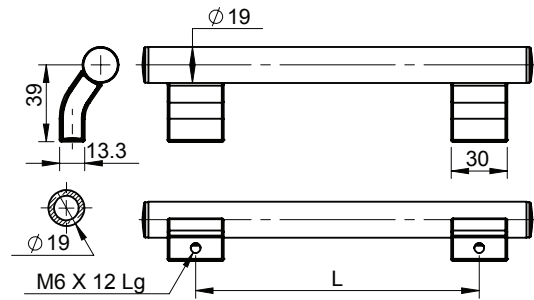


Product Code	Material	Finish	Length (L)	Load Capacity (Kg)
P8-DHAEB-5-128	Aluminium	Black PC	128	–
P8-DHAEB-5-150	Aluminium	Black PC	150	–
P8-DHAEB-5-192	Aluminium	Black PC	192	–

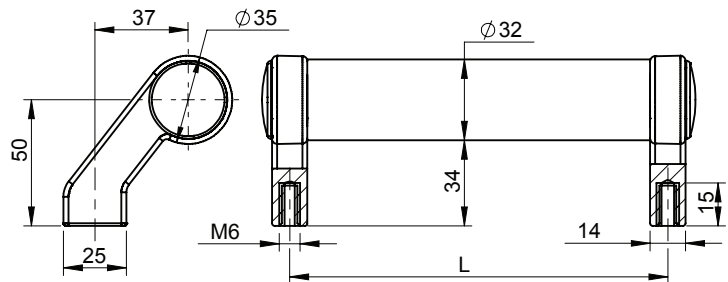
Standard : Black PC, Add SPC for Silver Sparkle Powder Coating.

Handles

P8 Pipe Handle



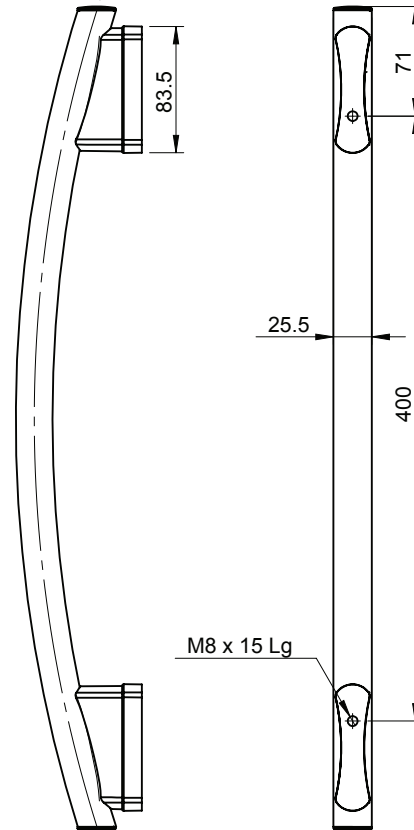
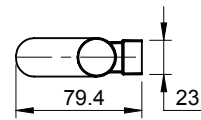
Product Code	Pipe Material	Pipe Finish	Base Material	Base Finish
P8-DMAH-19-L	Aluminium	Buffed	Zinc	Black PC
L = 150, 250, 350				
Laser Marking of Logo available with minimum order quantity				



Product Code	Pipe Material	Pipe Finish	End Material	End Finish
P8-DMABH-32-L	Aluminium	Buffed	Zinc	Black PC
L = 300, 400 & 500				
Laser Marking of Logo available with minimum order quantity				

Handles

P8 Pipe Handle



Product Code	Pipe Material	Pipe Finish	Base Material	Base Finish
P8-DMRH1-25-400	SS-304	Buffed	Zinc	Black PC

Laser Marking of Logo available with minimum order quantity