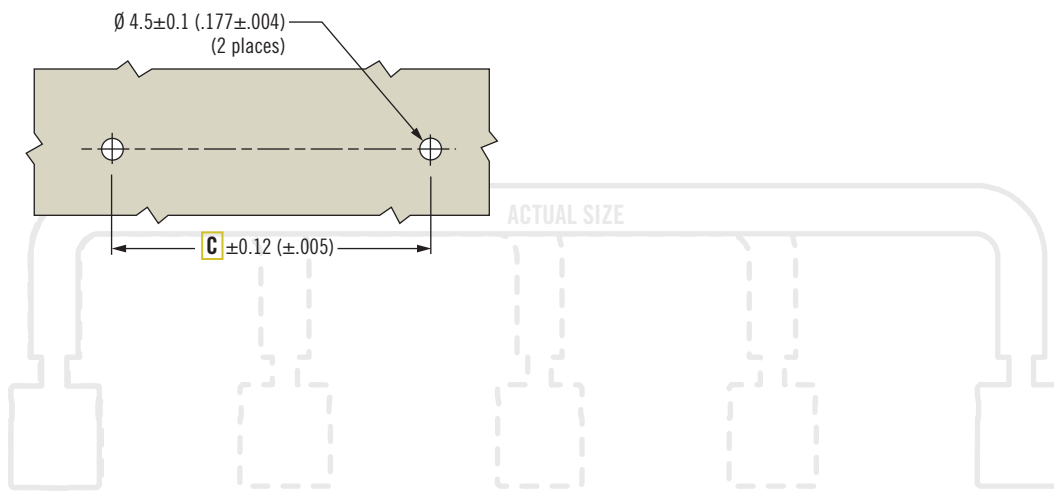
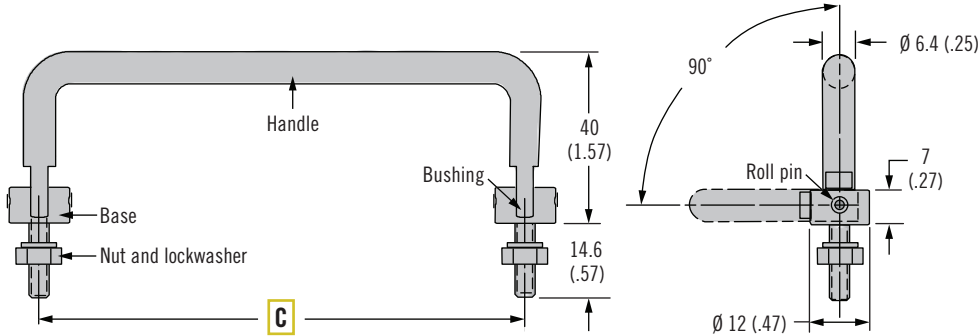
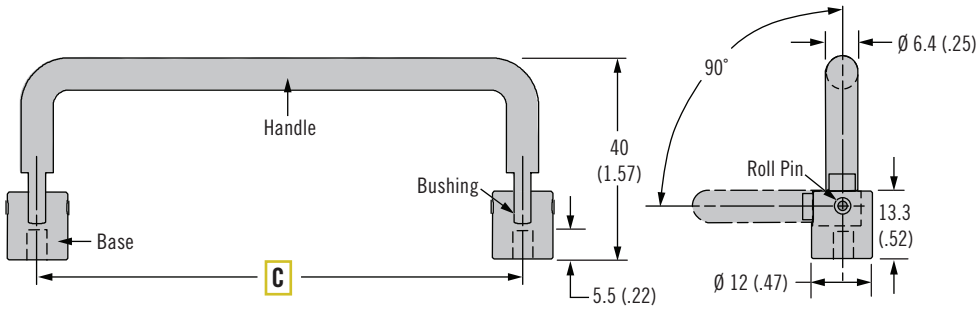


P9 Grab Handle

Folding · Surface mount



P9 - C - 40 - T B - 1 F - P

C Centers

- 040 40 (1.57) Hole centers
- 064 64 (2.52) Hole centers
- 096 96 (3.78) Hole centers
- 128 128 (5.04) Hole centers

T Thread

- 08 Imperial 8-32
- M4 Metric M4 x 0.7

B Base type

- N Internal thread
- X External thread

P Packing option

- Omit for individual packaging (1 per bag)
- 3 Layer packaging contact Southco

F Finish

- 1 Clear anodized
- 5 Black anodized

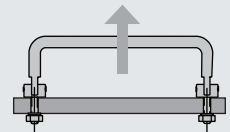
- Low profile folding style
- Concealed installation
- Anti-rattle friction feature

Material and Finish

Handle and base:
Aluminum, anodized, clear or black
Roll pin, mounting nuts and lockwashers:
Stainless steel passivated
Bushing: Nylon

Performance Details

Maximum static load:
Internal threaded version
600 N (135 lbf)
External thread version
400 N (90 lbf)



Installation Notes

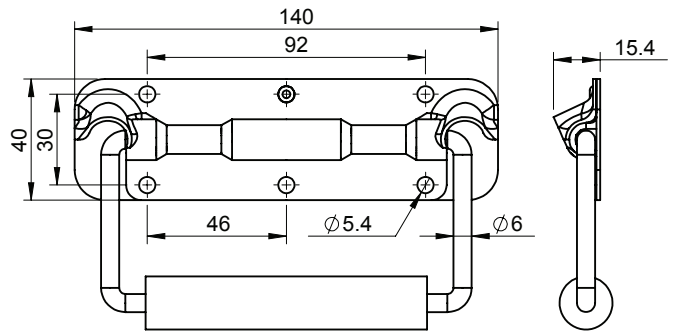
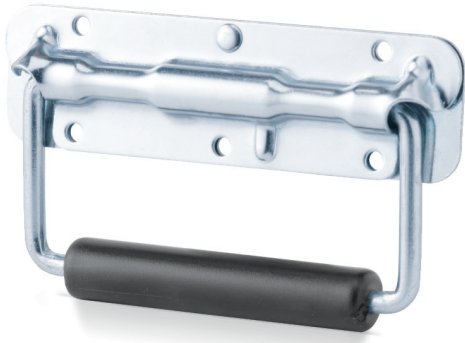
Internal thread:
Screws not supplied.
Calculate screw length using the following formula:
Door thickness + 5 (.20)
Maximum tightening torque of mounting screws: 1.7 N·m (15 in·lbf)
External thread:
Maximum door thickness 8.4 (.33)
Mounting nuts supplied.
Maximum tightening torque of nuts: 11.5 N·m (10 in·lbf)

Part Number Selection

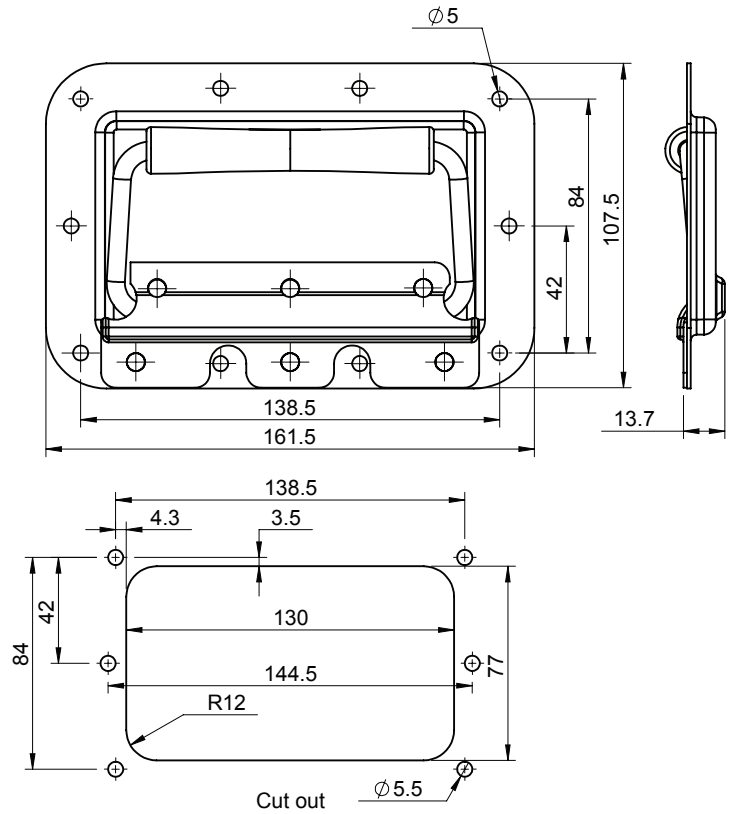
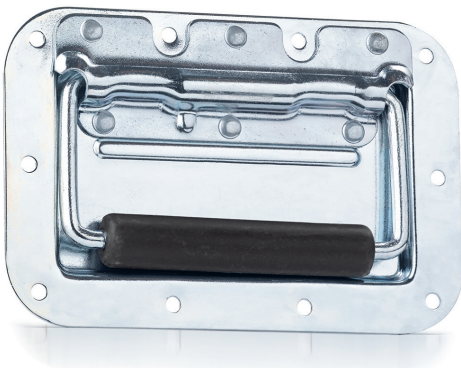
For visual identification:
M4 products have a counterbored hole.
8-32 products have a countersunk hole

Handles

P9 Crate Handle



Product Code	Material	Finish	Load Capacity (Kg)
P9-DCPH-140-BZ	Mild Steel	Blue Zinc	55



Product Code	Material	Finish	Load Capacity (Kg)
P9-DCPH-160-BZ	Mild Steel	Blue Zinc	25