



R2 Draw Latch

Concealed · Panel Fastening

- Provides a high strength concealed joint
- Operates quickly with a hex wrench
- Self adjusts to ensure a tight connection

Material and Finish

Steel, galvanized

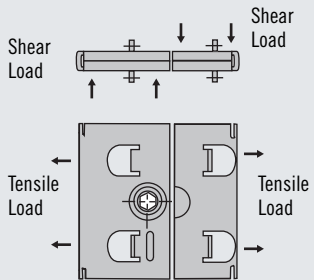
Performance Details

Tab, Shallow, and Mortise Mount:

Average ultimate tensile load:
6200 N (1400 lbf)

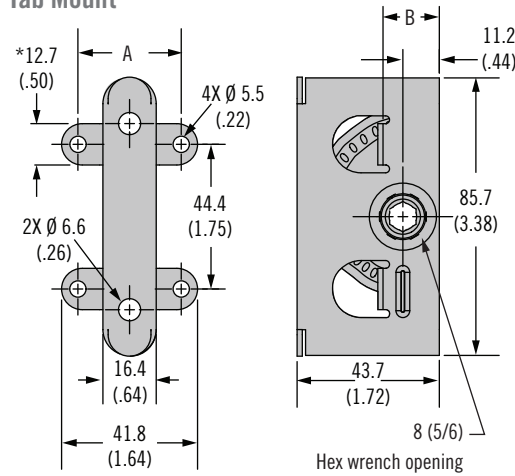
Average ultimate shear load:
8900 N (2000 lbf)

Front Mount: Average ultimate
tensile load: 4000 N (900 lbf)

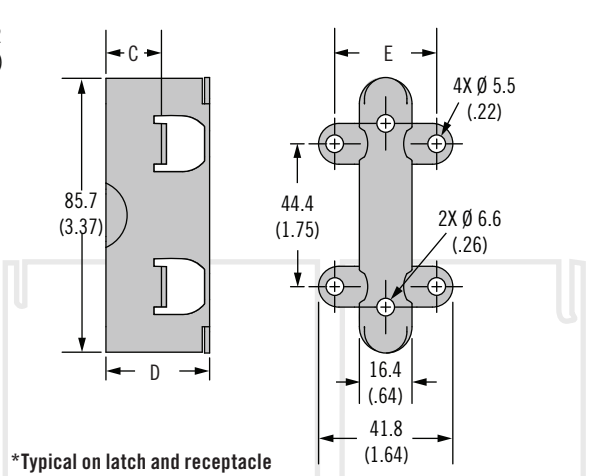


Latch

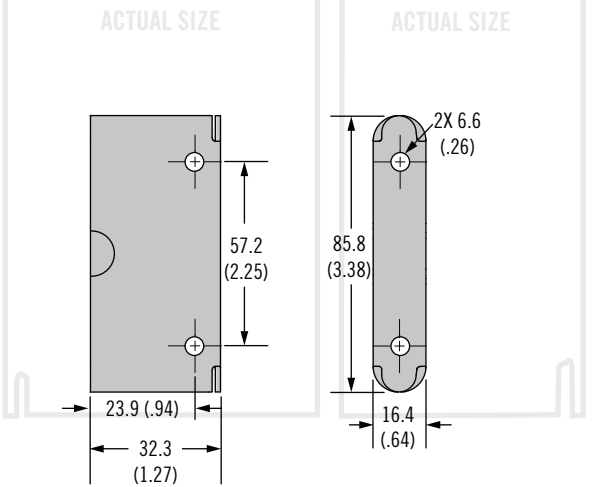
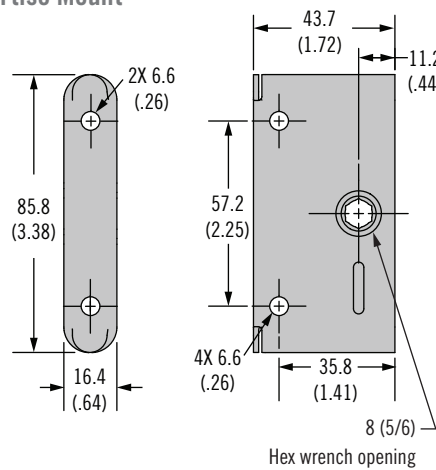
Tab Mount



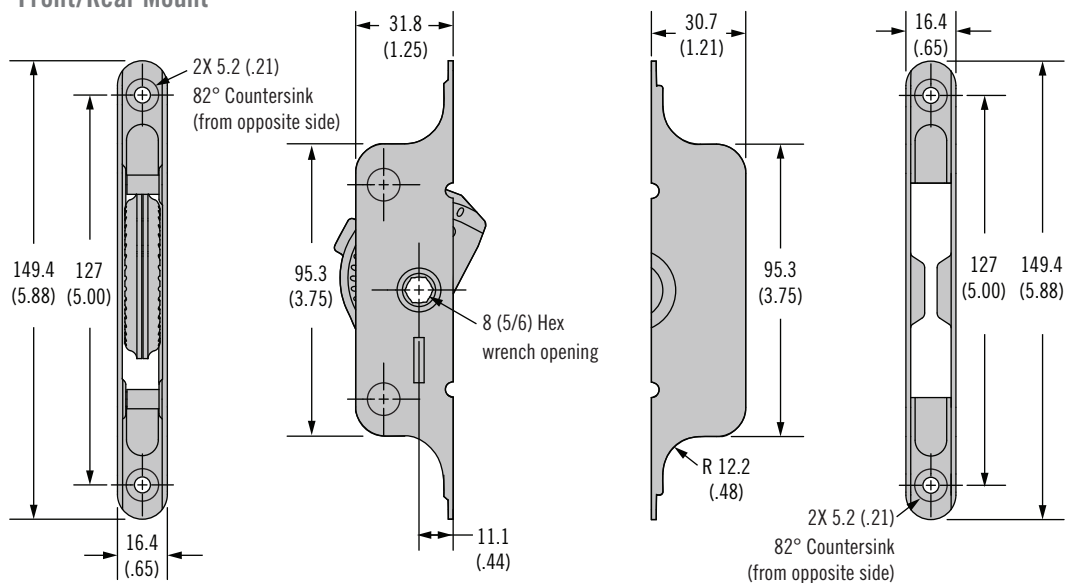
Receptacle



Mortise Mount



Front/Rear Mount

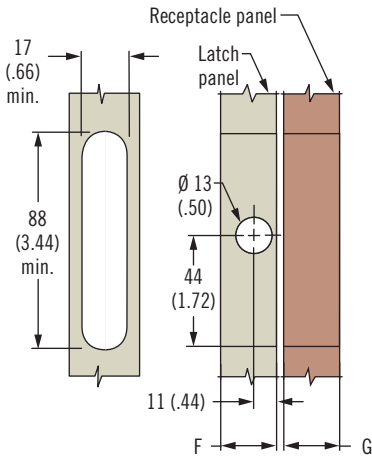


R2 Draw Latch

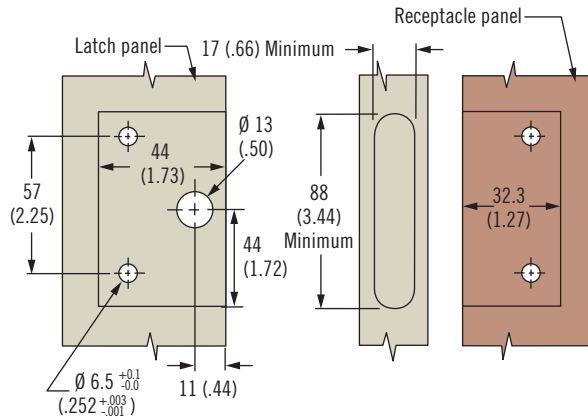
Concealed · Panel Fastening



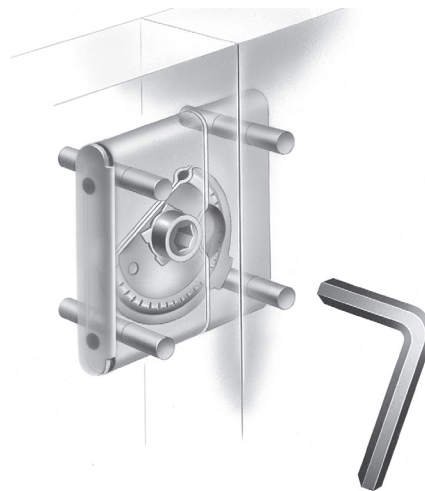
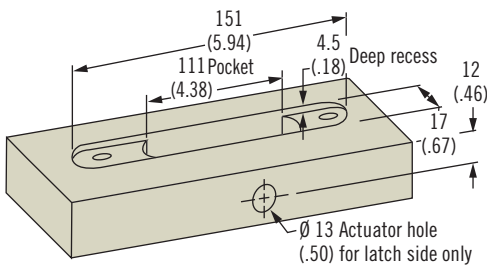
Tab Mount



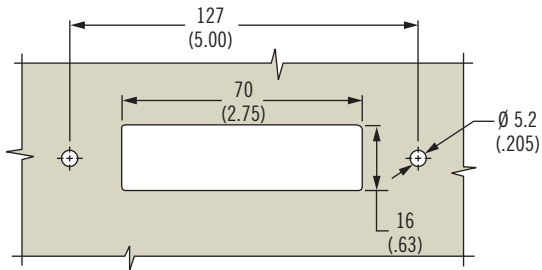
Mortise Mount



Front Mount



Rear Mount



Installation Notes

Tab Mount: Install with $\varnothing 5$ (.205) rivets or M5 (No. 10) screws (not supplied)

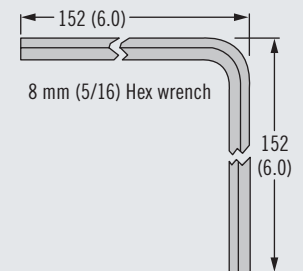
Mortise Mount: Install with $\varnothing 6$ (1/4) rivets or M6 (1/4) screws (not supplied). A 1.6 (.06) gap should be maintained between latch and receptacle.

Front Mount - Wood application: Install with M5 (No. 10) flat head screws (not supplied). Note: Latch strength is dependant on mounting hardware and installation material

Rear Mount - Metal application: Install with 5 (.196) flathead rivets or M5 (No. 10) screws. Note: Maximum metal panel thickness should be 2.5 (.10)

Accessories

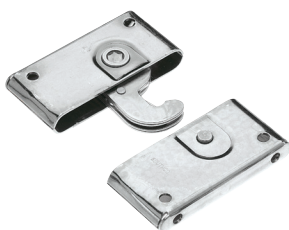
Actuation tool
Part number: 29-0059-02



Mounting Style	Part Number	A	B	C	D	E	F	G
Shallow Tab Mount	Latch R2-0259-17	31.8 (1.25)	17.3 (.68)	17.3 (.68)	32.3 (1.27)	31.8 (1.25)	19 (.75)	19 (.75)
	Receptacle R2-0257-17							
Deep Tab Mount	Latch R2-0169-17	28.7 (1.13)	30.2 (1.19)	38.1 (1.50)	52.1 (2.05)	28.7 (1.13)	32 (1.25)	38 (1.5)
	Receptacle R2-0160-17							
Mortise Mount	Latch R2-0055-17							
	Receptacle R2-0002-17							
Front/Rear Mount	Latch R2-0267-17							
	Receptacle R2-0268-17							

Part Number

See table
Order latch and receptacle separately



R5 Draw Latch

Concealed · Mortise Mount

- High tensile load
- Consistent pull-up
- Concealed installation

Material and Finish

Steel, zinc galvanized

Performance Details

Average ultimate tensile load:
11,100 N (2500 lbf)

Average ultimate shear load:
68,180 N (15,327 lbf)

Installation Notes

Install assembly with $\varnothing 6$ (1/4) rivets or M6 (1/4) screws (not supplied)

Accessories

Actuation tool

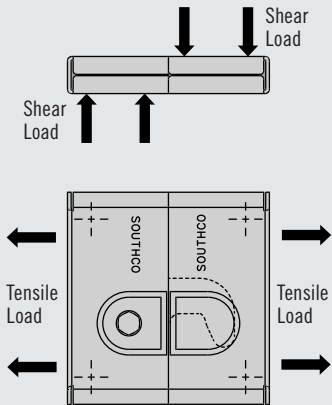
Part number: 29-0059-02

Notes

Operating force

To open: 4 N·m (35 in·lbf)

To close: 4 N·m (35 in·lbf)

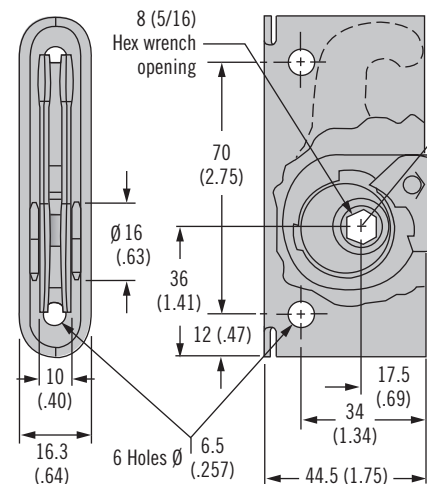


Part Number

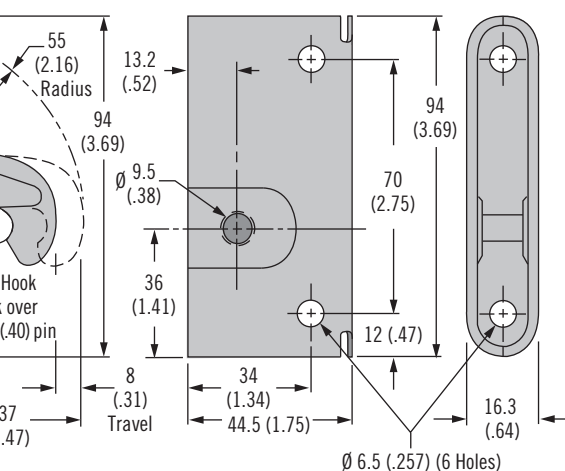
See table

Order latch and receptacle separately

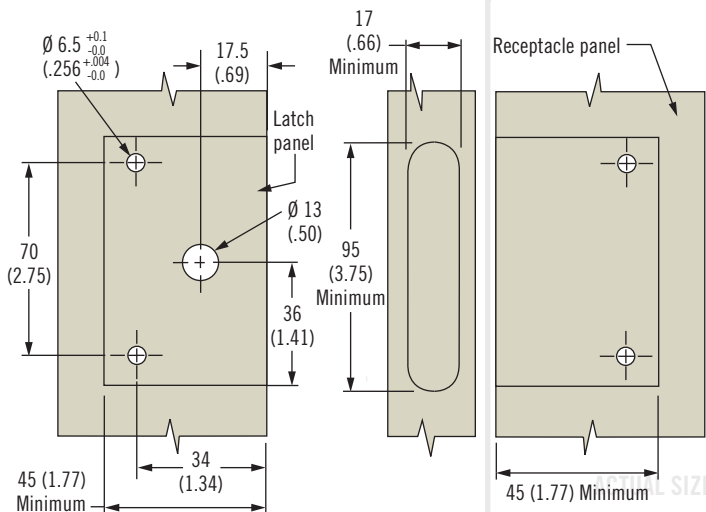
Latch



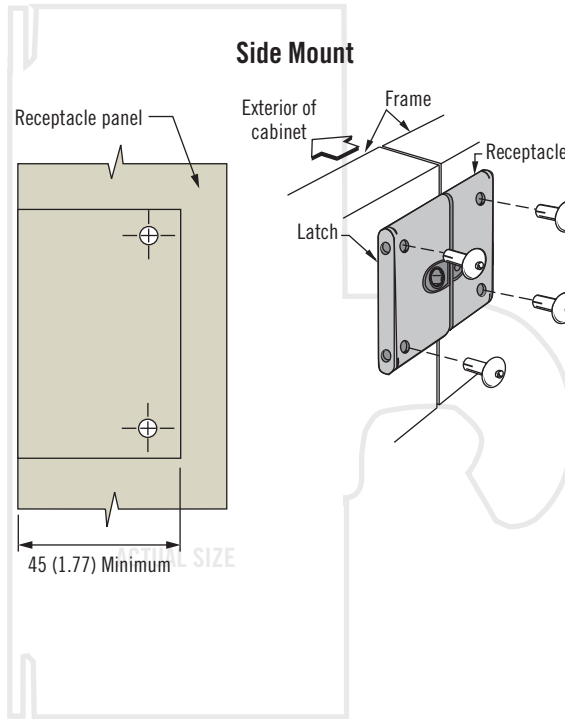
Receptacle



Recessed Pocket

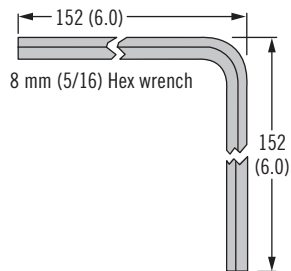


Side Mount



Accessories

Actuation Tool



Part Number	
Latch	Receptacle
R5-0074-17	R5-0079-17