



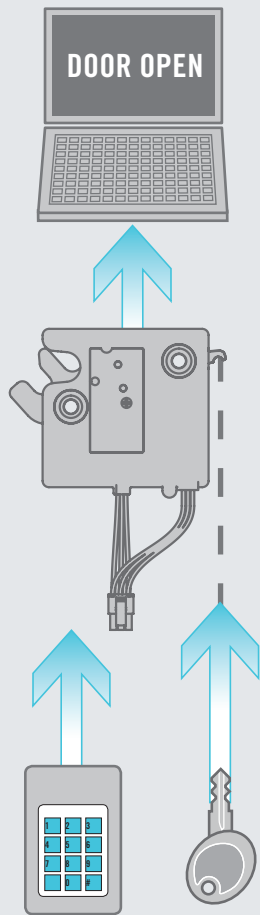
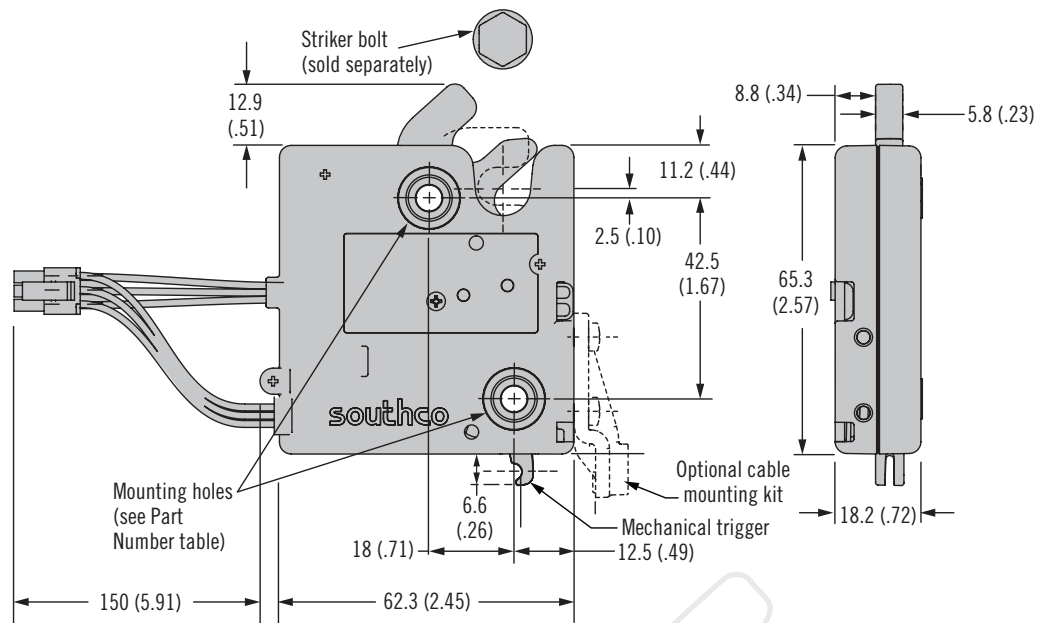
# R4-EM 4 & 6 Series Electronic Rotary Latch

Compact size · Lightweight

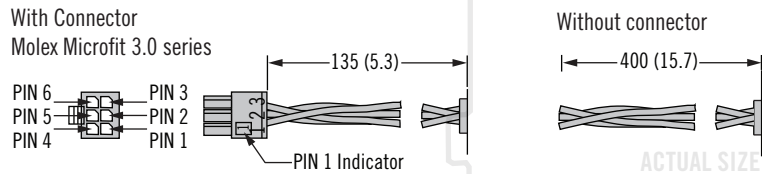
Electronic access with internal motor control

- Light weight construction
- Auto re-lock and delayed re-lock version
- Push-to-close, electronic release
- Versatile rotary mechanism
- Concealed latching
- Microprocessor control
- Minimal power draw
- Simple mechanical over-ride
- Optional internal microswitch for latch open/close output signal

12V  
24V



## Latch Wiring Connections



## Part Number Selection

**R4 - EM - T B A - 1 S C - P**

- T Trigger Styles**
  - 4 Auto re-lock with kick-out spring
  - 6 Delayed re-lock with light spring
- B Base Mounting Style**
  - 3 Ø 5.5 (.22) thru hole
  - 4 M5 thread
  - 5 10-24 thread
- A Alternate Configurations**
  - None Standard configuration
  - 2 Strong (kick out) cam spring (delayed relock)
- S Switch Options**
  - 3 No switch
  - 6 Internal latch status switch
- C Connector Options**
  - 1 With connector
  - 2 Without connector
- P Packaging Options**
  - None Individually packaged
  - 1 Bulk packaged

Other options available. For complete details on variety, part numbers, installation and specification, go to

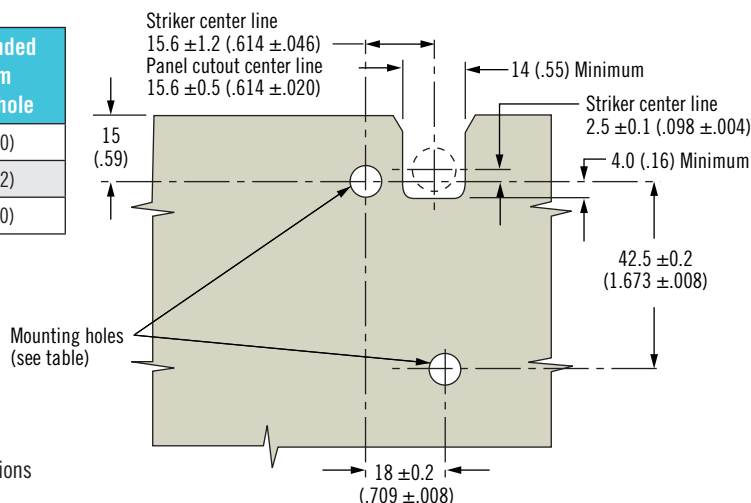
**INFO CLIC** [www.southco.com/R4-EM](http://www.southco.com/R4-EM)

Dimensions in millimeters (inch) unless otherwise stated

## Installation

### Panel Preparation

Base Mounting Style	Recommended minimum mounting hole
10-24 thread	Ø 5.6 (.220)
M5 thread	Ø 5.9 (.232)
Thru hole	Ø 6.1 (.240)



## Operation

See page 34 for operating instructions

## Accessories

### Striker Bolt

See page 35



### Cable Mounting Kit

See page 35



## Material & Finish

Housings: PC/ABS

Cam: Glass-filled nylon

Trigger: PBT

Springs: Stainless Steel

Pins: Steel, zinc plated

## Electrical Specifications

Recommended Operating Voltage:

12 to 24 VDC

Typical Operating Current (average at no load): Less than 600mA at 12VDC

Input Signal Current Draw: 25mA Maximum

\*\*Optional microswitch closes upon latch closure

Microswitch Rating: 3A Max at 12 VDC

## Wire Color Code / Connector

### Pin Assignment:

PIN 1: Brown: Ground (-)

PIN 2: Red: Power 8 to 26 Volts DC

PIN 3: Orange: Control Signal 8 to 26 Volts DC

PIN 4: Black: Microswitch Common Contact

PIN 5: Blue: Microswitch N.O. Contact

PIN 6: Grey: Microswitch N.C. Contact

### Electronic Actuators

See page 42



### Mechanical Actuators

See page 36



### Cables

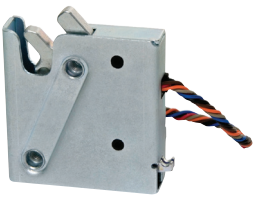
See page 272



### Wiring/Junctions

See [www.southco.com](http://www.southco.com)





# R4-EM Electronic Rotary Latch

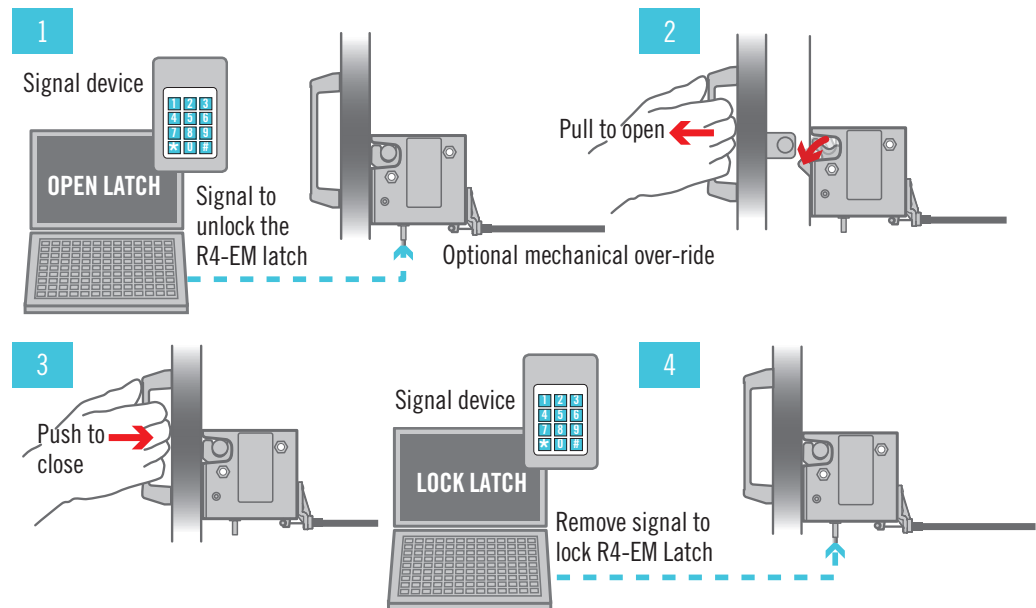
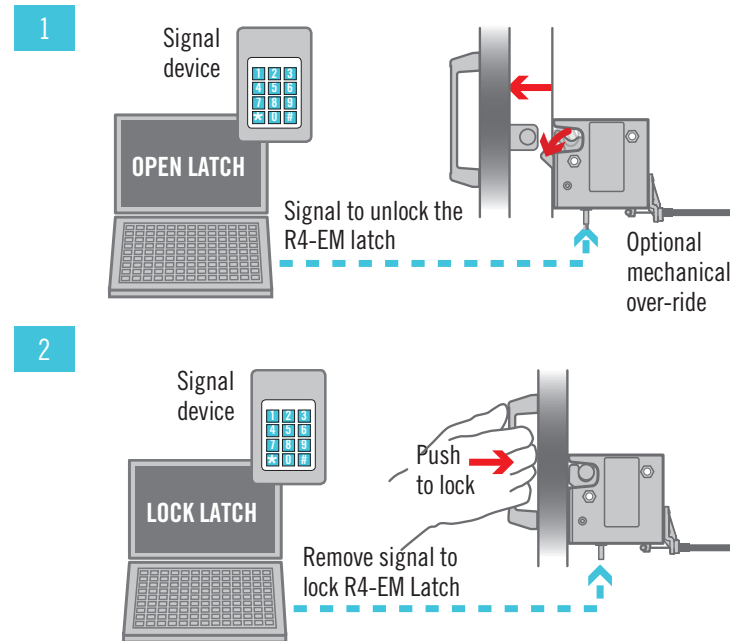
## Operating instructions

### Operation - Auto relock

1. The signal unlocks the R4-EM latch and releases the spring loaded cam which rotates out to push a lightweight door open. The mechanism will cycle through unlatched then re-latched state automatically, regardless of input signal on time.
2. Push door closed to engage striker after unlock time has expired. Striker will rotate cam to closed position.

### Operation - Delayed relock

1. The signal unlocks the R4-EM latch leaving a biased closed door in the closed position. The unlock time is controlled by the access control device.
2. Manually pull door/striker free from R4-EM latch.
3. Manually push door closed. Striker will rotate cam to closed position, however latch will remain unlocked and can be re-opened as long as signal is present.
4. After accessing the door, the signal can be removed to re-lock the R4-EM. This can be done with the door in the open or closed position.



Other options available. For complete details on variety, part numbers, installation and specification, go to



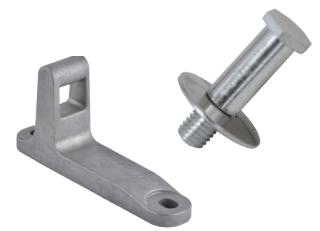
[www.southco.com/R4-EM](http://www.southco.com/R4-EM)

Dimensions in millimeters (inch) unless otherwise stated

**southco**  
CONNECT · CREATE · INNOVATE

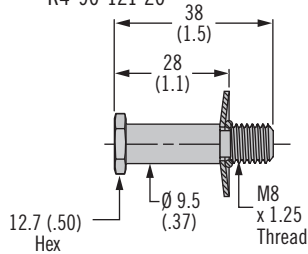
# R4-EM Electronic Rotary Latch

## Strikers - Cable mounting kits



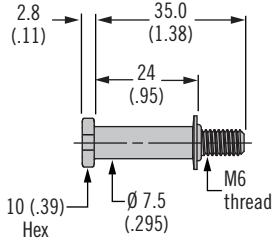
### Striker Bolt - Large

Part number R4-90-121-10  
R4-90-121-20



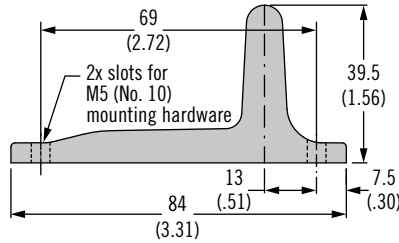
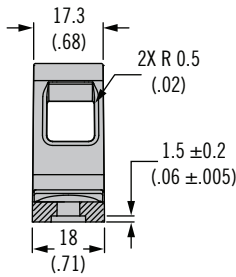
### Striker Bolt - Small

Part number R4-90-511-20



**Cast Striker with Door Sensor** Part number R4-90-804-10\*

**Cast Striker without Door Sensor** Part number R4-90-800-10\*

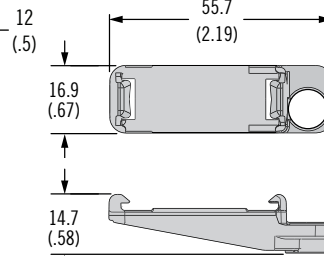
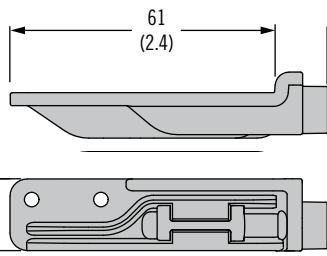
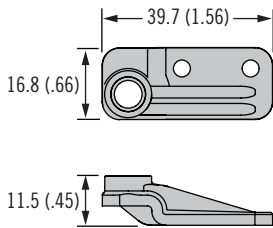


### Cable Mounting Kit

Part number R4-EM-52 – Rivets included  
Part number R4-EM-72 – Screws included

Part number R4-EM-87 – Rivets included

Part number R4-EM-952



	Striker Bolt		Cast Striker		Cable Mounting Kit			
	R4-90-121-XX	R4-90-511-20	R4-90-800-10	R4-90-804-10	R4-EM-52	R4-EM-72	R4-EM-87	R4-EM-952
R4-EM-9	✓		✓	✓				✓
R4-EM-8	✓		✓	✓				
R4-EM-5 & 7	✓		✓		✓		✓	
R4-EM-4 & 6		✓				✓		
R4-EM-1 & 2	✓		✓		✓		✓	

### Material and Finish

Striker bolts: Steel, zinc plated

Cast strikers: Zinc alloy

Cable mounting kits: Glass-filled nylon, black

**\*Note:** Latch and striker installation details can be found on the latch trade drawing at [www.southco.com](http://www.southco.com).